



LEDLUZ LIGHTING CO.,LTD

Add: Floor 3-5, Building 14, Jilong Industrial Park, No. 52,Xilian Road,
Longyan Village, Leliu, Shunde District, Foshan, Guangdong,
528322 China

Tel: 86-757-25560988 86-757-25668696(国内销售)

E-mail: sales@led-luz.com ledluz88@gmail.com

Website: www.led-luz.com www.ledluzprofile.com



Aluminum LED Profile
2024

LEDLUZ's Aluminum led profiles are the excellent option to take your led light strip installation to the next level. LEDLUZ offers a wide range of aluminum extrusion profiles, which enables architects, interior designers, retailers and home improvement contractors to create amazing lighting project. We have more than 200 kinds of aluminum led profile for your choice at present. And we prepare a lot of stock in warehouse, then we can make fast delivery within short time. Normally our stock is in 2m each pcs, for some popular items in 2.5m. But we will custom made the length for your project if you need.

Our main feature is that we design and we manufacture,our R&D team study the cutting-edge industry and then transform them to products.

We can design according to clients' requirements and we manufacture by using technical know-how to control the cost.

LEDLUZ offers its partner with European quality products, but with Chinese manufacturing price.



www.led-luz.com

Qualification and Certification

Main components of Aluminum led profile lighting system:

- 1) Flexible LED strips or Rigid LED light bar
- 2) Aircraft Aluminum led profile(6063-T5)
- 3) PMMA cover (polymethyl methacrylate) or PC cover (polycarbonate)
- 4) LED driver

Application of Aluminum LED Profile

- 1) Main Lighting, such as in office, supermarket, shopping mall and factory etc.
- 2) Backlight or supplementary Lighting
- 3) Lighting for special occasions
- 4) Also suitable for residential decoration Lighting

Advantages of Aluminum LED Profile Lighting

Simple and fashion design
Easy installation, can be cut according to any length which you need
Low operating voltage, very safe, eco-friendly and energy efficiency

LEDLUZ's advantage on the LED Profile

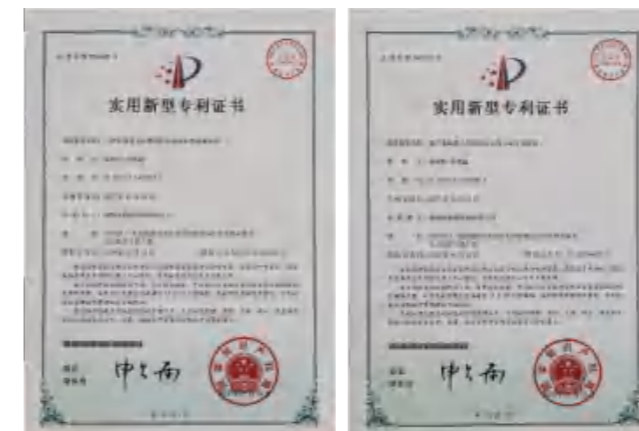
- 1), Stock for each item at any time
- 2), Free sample, NO MOQ problem
- 3), Constant improvement to the old items, and also design the new models
- 4), Custom made the length and color for the Aluminum, also supply special packing But with MOQ



China National High-tech Enterprise



Patents



Patents



Product certificates



Aluminium Ingot



Moulding Workshop



Oxidation Pool



Aluminium Extrusion Workshop



Plastic Extrusion Machine



Plastic Extrusion Production



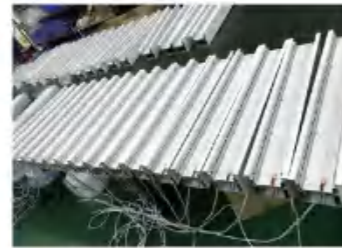
Warehouse



Warehouse 2



Cutting machine



Finished Products Assembly



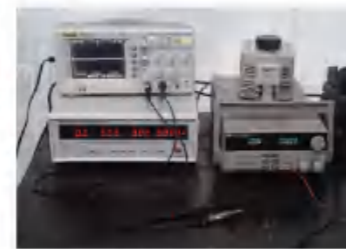
Quality Control



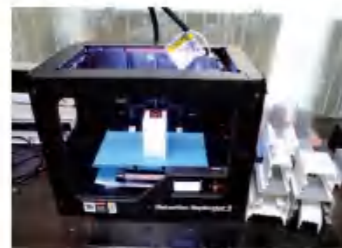
Special Packing



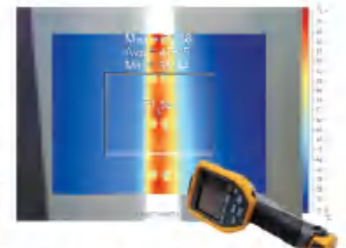
Integrating Sphere



Other Testing Instruments



3D Printer



FLUKE Tis20 Thermal Imager



Goniophotometer

LEDLIZ LIGHTING CO.,LTD
佛山丽格照明有限公司

ALP143 	P01	ALP144 	P02	ALP145 	P03	ALP146 	P04	ALP001-R 	P05
ALP002-R 	P06	ALP002-R2 	P07	ALP002-M 	P08	ALP002-RL 	P09	ALP004-RL 	P10
ALP003-R 	P11	ALP004-R 	P12	ALP005 	P13	ALP006 	P14	ALP007 	P15
ALP008 	P16	ALP010 	P17	ALP011 	P18	ALP012 	P18	ALP027 	P19
ALP029 	P19	ALP028 	P20	ALP013-R 	P21	ALP014-R 	P22	ALP013 	P23
ALP014 	P24	ALP031 	P25	ALP032 	P26	ALP015-R 	P27	ALP016-R 	P28
ALP021 	P29	ALP077 	P30	ALP043 	P31	ALP044 	P31	ALP044-PC 	P32

LIST

ALP025 	P33 	ALP026 	P34 	ALP073 	P35 	ALP096 	P36 	ALP097 	P37
ALP114 	P38 	ALP116 	P39 	ALP117 	P40 	ALP035-R 	P41 	ALP035-RL 	P42
ALP119 	P43 	ALP140 	P44 	ALP100 	P45 	ALP099 	P46 	ALP039 	P47
ALP039-30 	P47 	ALP039-60 	P48 	ALP039-90 	P48 	ALP040 	P49 	ALP040-30 	P49
ALP040-60 	P50 	ALP040-90 	P50 	ALP134 	P51 	ALP135 	P51 	ALP136 	P52
ALP137 	P52 	ALP138 	P53 	ALP139 	P53 	ALP180 	P54 	ALP181 	P54
ALP109-R 	P55 	ALP109-D 	P56 	ALP104-R 	P57 	ALP105-R 	P58 	ALP106-R 	P59

LIST

ALP107-R 	P60 	ALP108-R 	P61 	ALP017-R5 	P63 	ALP018-R3 	P64 	ALP045-R 	P65
ALP046-R 	P66 	ALP047-R1 	P67 	ALP048-R1 	P68 	ALP6535 	P69 	ALP5035 	P70
ALP049-R 	P71 	ALP5090 	P72 	ALP050 	P73 	ALP062 	P74 	ALP3030 	P75
ALP3030-T 	P76 	ALP3030-R 	P77 	ALP3030-R2 	P78 	ALP6060-R 	P79 	ALP6060-R1 	P80
ALP3880 	P81 	ALP051 	P82 	ALP053-R 	P83 	ALP054-R1 	P84 	ALP056-R 	P85
ALP056-DR 	P86 	ALP052 	P87 	ALP057 	P88 	ALP3875 	P89 	ALP3875-D 	P90
ALP5075-R 	P91 	ALP5075-RD 	P92 	ALP5075-R1 	P93 	ALP5075-C 	P94 	ALP6545-C 	P95

LIST

ALP7575-R P97 	ALP7575-RD P98 	ALP6875 P99 	ALP9575-R P100 	ALP38115 P101
ALP63120 P102 	ALP065 P103 	ALP065-T P103 	ALP066 P104 	T40 P105
T60 P105 	T100 P106 	T30 P107 	T36 P108 	ALP50120 P109
ALP3875-R P110 	ALP6380 P111 	ALP6380-T P112 	ALP75120 P113 	ALP7578 P114
ALP10078 P115 	ALP100120 P117 	ALP10075-R P118 	ALP023-R2 P119 	ALP024 P120
ALP024-R P121 	ALP024-R1 P122 	SK1580-10 P123 	SK1580TR-5 P124 	SK1270 P125
SK1580R P126 	ALP147 P127 	ALP148 P128 	ALP149 P129 	ALP150 P130

LIST

ALP151 P131 	ALP152 P132 	ALP155 P133 	ALP156 P134 	ALP157 P135
ALP158 P136 	ALP159-TR P137 	ALP159 P138 	ALP160 P139 	ALP161 P140
ALP162 P141 	ALP163 P142 	ALP164 P143 	ALP165 P144 	ALP166 P145
ALP167 P145 	ALP168 P146 	ALP169 P147 	ALP170 P148 	ALP171 P149
ALP172 P150 	ALP173 P151 	ALP174 P152 	ALP175 P153 	ALP176 P154
ALP176-R P155 	ALP177 P156 	ALP129 P157 	ALP129-I P158 	ALP129-O P158
ALP068-S P159 	ALP068-R P160 	ALP069-R P161 	ALP070-R P162 	ALP070-V P163

LIST

ALP068-R2 	P164 	ALP068-SR1 	P165 	ALP068-R3 	P166 	ALP068-R4 	P166 	ALP071 	P167
ALP071-S 	P168 	ALP080-R 	P169 	ALP081-R 	P170 	ALP082 	P171 	ALP083-R 	P172
ALP085 	P173 	ALP086 	P174 	ALP087 	P175 	ALP088 	P176 	ALP089 	P177
ALP090 	P178 	ALP091 	P179 	ALP091-E 	P180 	ALP092 	P181 	ALP093 	P182
ALP094 	P183 	ALP095 	P184 	ALP084 	P185 	ALP084-S 	P186 	ALP084-R 	P187
ALP079 	P188 	ALP110-S 	P189 	ALP110-R 	P189 	ALP111-S 	P190 	ALP111-R 	P190
ALP078 	P191 	ALP078-R 	P192 	ALP126 	P193 	ALP130 	P194 	ALP131 	P195

LIST

ALP132 	P195 	ALP133 	P195 	ALP033 	P196 	ALP034 	P196 	ALP141 	P197
ALP142 	P198 	ALP142-A 	P199 	ALP142-B 	P200 	MAG2425 	P201 	MAG2430 	P202
MAG3425 	P203 	MAG2490 	P204 	MAG2475 	P205 	MAG6425 	P206 	MAG7850 	P207
ALP4070 	P209 	ALP4070-UP 	P210 	ALP4035-T 	P211 	TG2458 	P212 	S1018-S 	P213
S1616-T 	P213 	S1616-S 	P214 	S1616-C 	P214 	S0410-S 	P215 	S0612-S 	P215
S1010-T 	P216 	S3021-T 	P216 	S18 	P217 	S1616-3D 	P218 	S20 	P219
TP1807 	P220 	LS30 	P221 	LS30-T 	P223 	LS30-TS 	P224 	LS40 	P225


LIST

LS40-T 	P228	LS40-S 	P228	LS40-TS 	P229	LS50 	P230	LS50-T 	P233
LS50-TS 	P233	LS50-T1 	P234	LS50-U 	P234	LS50-LPC 	P235	ALP127-R 	P237
ALP128-R 	P238	ALP127 	P239	ALP128 	P240	ALP019-R 	P241	ALP184-9 	P242
ALP184-11 	P242	ALP185 	P243	ALP186 	P245	ALP187 	P246	ALP188 	P247
ALP189 	P248	ALP190 	P249	ALP191 	P250	ALP192 	P251	ALP193 	P252
ALP194 	P253	ALP195 	P254	ALP196 	P255	ALP183 	P256	ALP197 	P257
ALP198 	P258	ALP199 	P259	ALP200 	P260	ALP201 	P261	ALP202 	P262

LIST

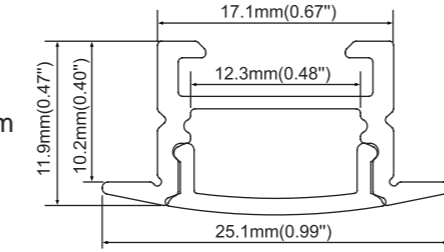
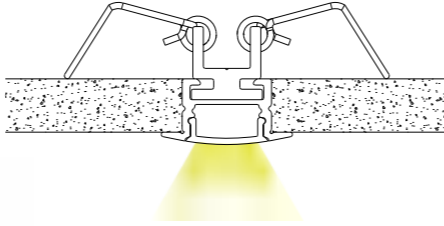
ALP203 	P263	ALP204 	P264	ALP205 	P265	ALP206 	P266	ALP207 	P267
ALP208 	P268	ALP209 	P269	ALP4678 	P271	ALP4678-TK 	P272	ALP5078 	P273
ALP4660 	P274	ALP5580 	P275	ALP5580-T 	P276	ALP25C-R 	P277	ALP3050C 	P278
ALP30C 	P279	ALP30CO 	P280	ALP50C 	P281	HD5050-C 	P282	ALP1202 	P283
ALP2002 	P283	ALP2502 	P283	RDB01 	P284	RDB02 	P284	RDB03 	P284

Types of installation:

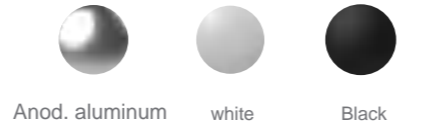


Material: Extruded aluminum
Dimension: 25.1x11.9mm
Length: MAX 5m

ALP143

FINISH



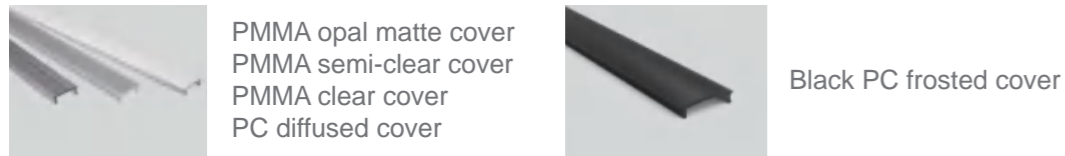
Anod. aluminum white Black

CE **IP20**

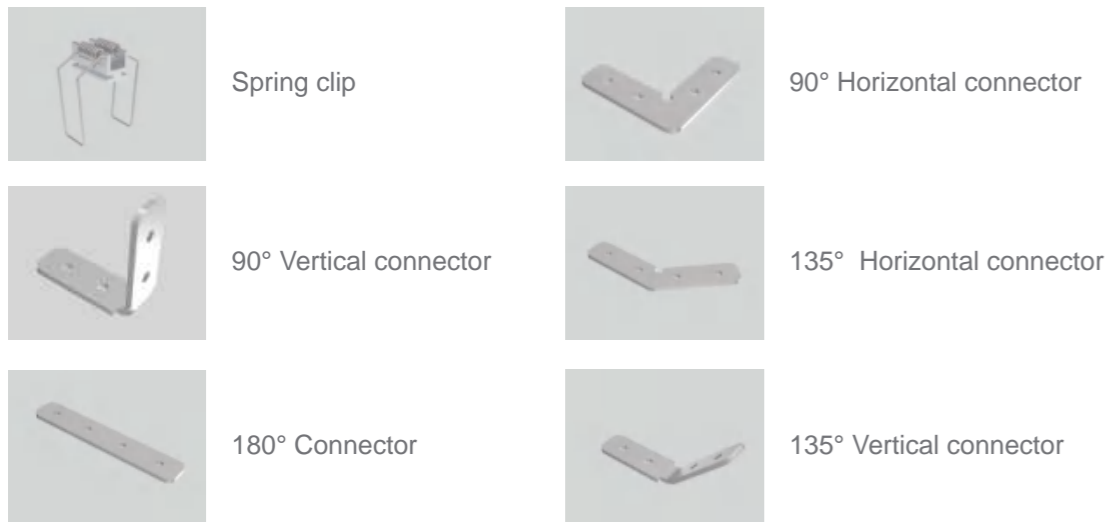
END CAPS



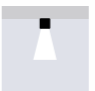
DIFFUSERS



ACCESSORIES

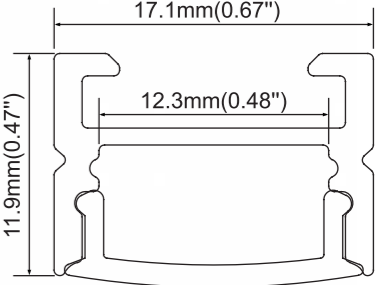
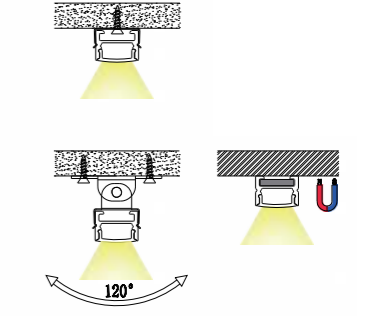


Types of installation:

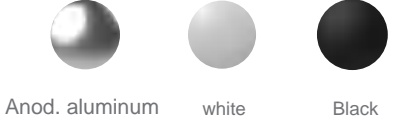


Material: Extruded aluminum
Dimension: 17.1x11.9mm
Length: MAX 5m

ALP144

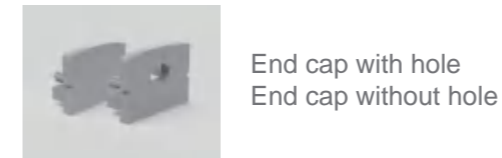
FINISH



Anod. aluminum white Black

CE **IP20**

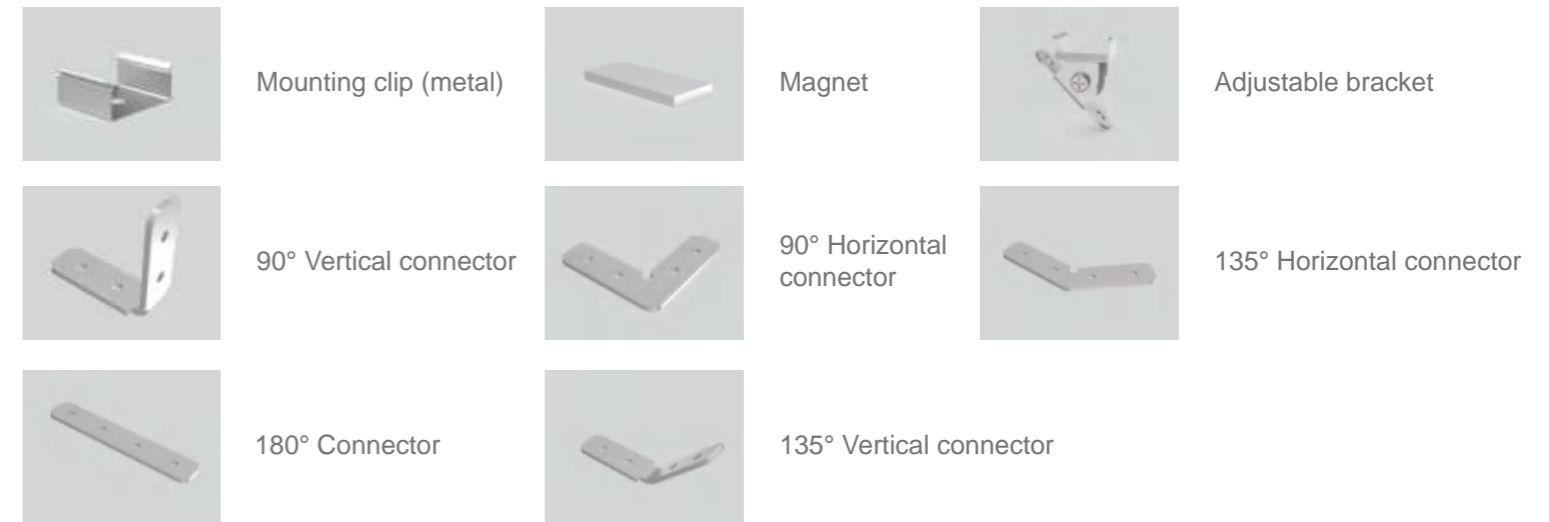
END CAPS



DIFFUSERS



ACCESSORIES

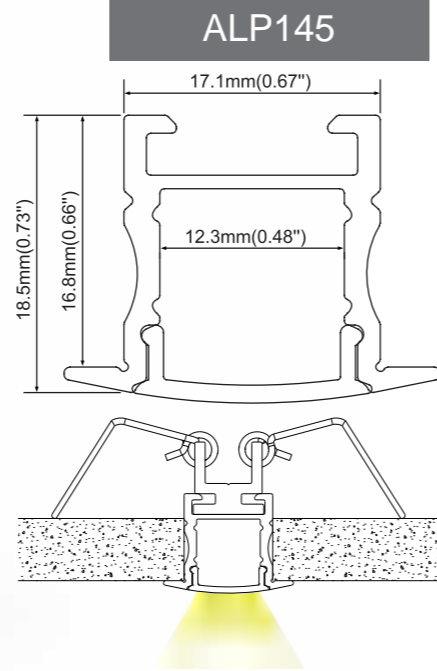




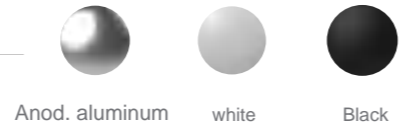
Types of installation:



Material: Extruded aluminum
Dimension: 17.1x18.5mm
Length: MAX 5m



FINISH

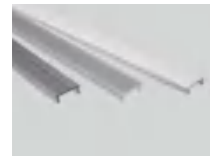


END CAPS



End cap with hole
End cap without hole

DIFFUSERS



PMMA opal matte cover
PMMA semi-clear cover
PMMA clear cover
PC diffused cover



Black PC frosted cover

ACCESSORIES



Spring clip



90° Horizontal connector



90° Vertical connector



135° Horizontal connector



180° Connector



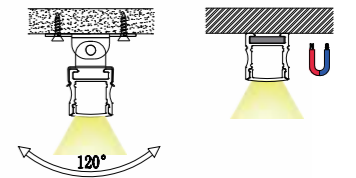
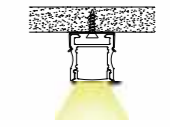
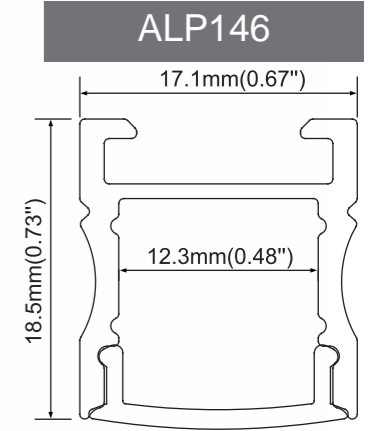
135° Vertical connector



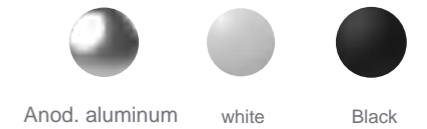
Types of installation:



Material: Extruded aluminum
Dimension: 17.1x18.5mm
Length: MAX 5m



FINISH

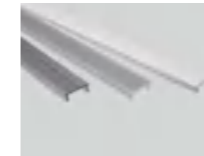


END CAPS



End cap with hole
End cap without hole

DIFFUSERS



PMMA opal matte cover
PMMA semi-clear cover
PMMA clear cover
PC diffused cover

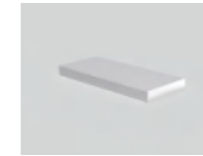


Black PC frosted cover

ACCESSORIES



Mounting clip (metal)



Magnet



Adjustable bracket



90° Vertical connector



90° Horizontal connector



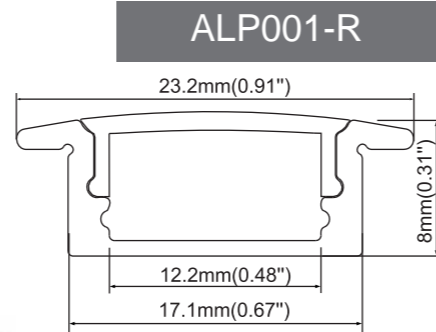
135° Horizontal connector



180° Connector



135° Vertical connector



Types of installation:



Material: Extruded aluminum
Dimension: 23.2x8mm
Length: MAX 5m



END CAPS



End cap with hole
End cap without hole

DIFFUSERS



PMMA opal matte cover
PMMA semi-clear cover
PMMA clear cover
PC diffused cover



Black PC frosted cover

INSTALLATION STEPS



step 01



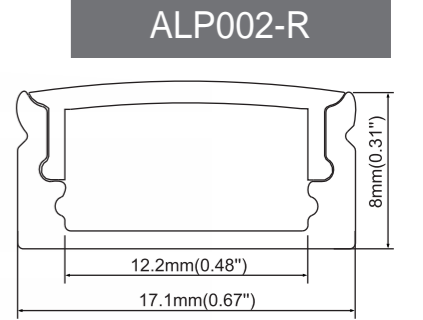
step 02



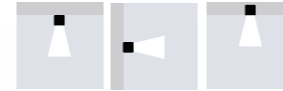
step 03



step 04



Types of installation:



Material: Extruded aluminum
Dimension: 17.1x8mm
Length: MAX 5m

END CAPS



End cap with hole
End cap without hole

DIFFUSERS



PMMA opal matte cover
PMMA semi-clear cover
PMMA clear cover
PC diffused cover



Black PC frosted cover

ACCESSORIES



Mounting clip (metal)



Mounting clip (pc)



90° Connector

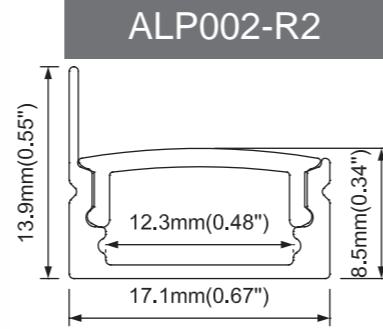
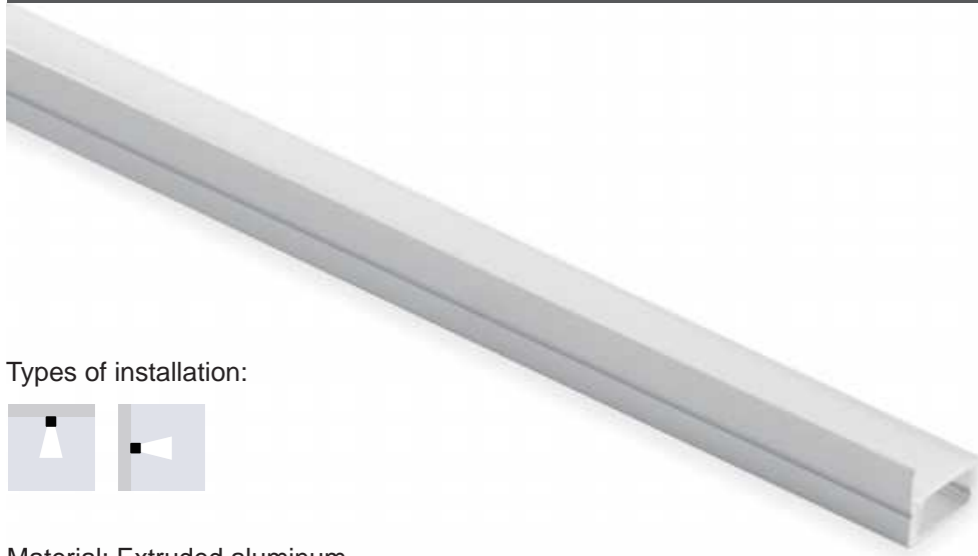


180° Connector



Adjustable bracket





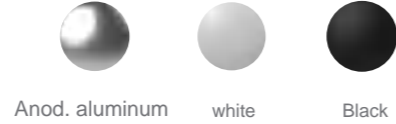
Types of installation:



Material: Extruded aluminum
Dimension: 17.1x13.6mm
Length: MAX 5m



FINISH

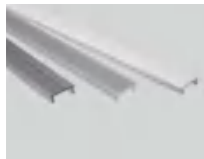


END CAPS



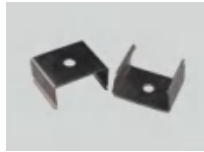
End cap with hole
End cap without hole

DIFFUSERS



PMMA opal matte cover
PMMA semi-clear cover
PMMA clear cover
PC diffused cover

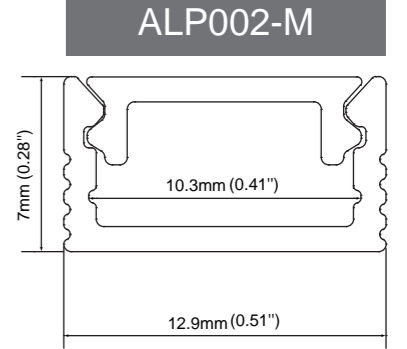
ACCESSORIES



Mounting clip (metal)



Mounting clip (PC)



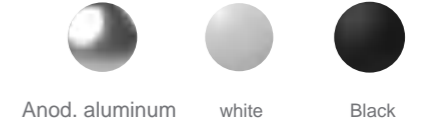
Types of installation:



Material: Extruded aluminum
Dimension: 12.9x7mm
Length: MAX 5m



FINISH



END CAPS



End cap with hole
End cap without hole

DIFFUSERS



PC diffused cover

ACCESSORIES



Mounting clip (metal)



Types of installation:



Material: Extruded aluminum
Dimension: 17.1x13.4mm
Length: MAX 5m

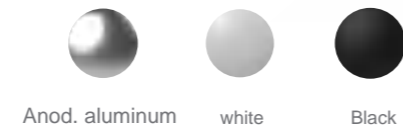
END CAPS



End cap with hole
End cap without hole



FINISH



DIFFUSERS



PMMA opal matte cover
PMMA semi-clear cover
PMMA clear cover
30 degrees cover



PC diffused cover

ACCESSORIES



Mounting clip (metal)



Mounting clip (PC)



180° Connector



Types of installation:



Material: Extruded aluminum
Dimension: 17.1x20mm
Length: MAX 5m

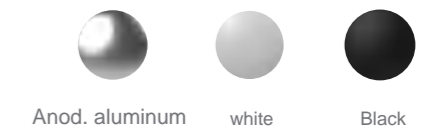
END CAPS



End cap with hole
End cap without hole



FINISH



DIFFUSERS



PMMA opal matte cover
PMMA semi-clear cover
PMMA clear cover
15 degrees cover



PC diffused cover

ACCESSORIES



Mounting clip (metal)



Mounting clip (PC)



180° Connector



Types of installation:



Material: Extruded aluminum
Dimension: 23.2x15.3mm
Length: MAX 5m



END CAPS



End cap with hole
End cap without hole

DIFFUSERS



PMMA opal matte cover
PMMA semi-clear cover
PMMA clear cover
PC diffused cover

INSTALLATION STEPS



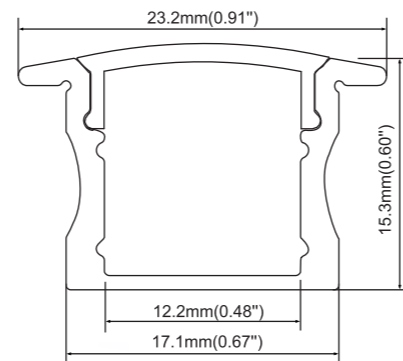
step 01



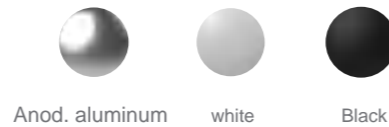
step 02



ALP003-R



FINISH



Anod. aluminum white Black



Types of installation:



Material: Extruded aluminum
Dimension: 17.1x15.3mm
Length: MAX 5m

END CAPS



End cap with hole
End cap without hole

DIFFUSERS



PMMA opal matte cover
PMMA semi-clear cover
PMMA clear cover
PC diffused cover

ACCESSORIES



Mounting clip(metal)



Mounting clip (PC)



Adjustable bracket

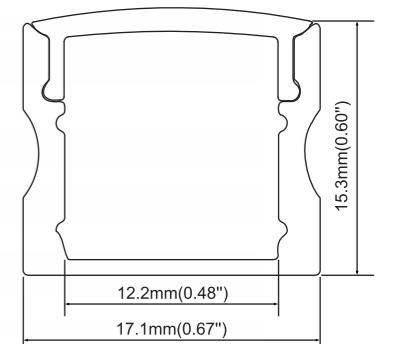


90° Connector



180° Connector

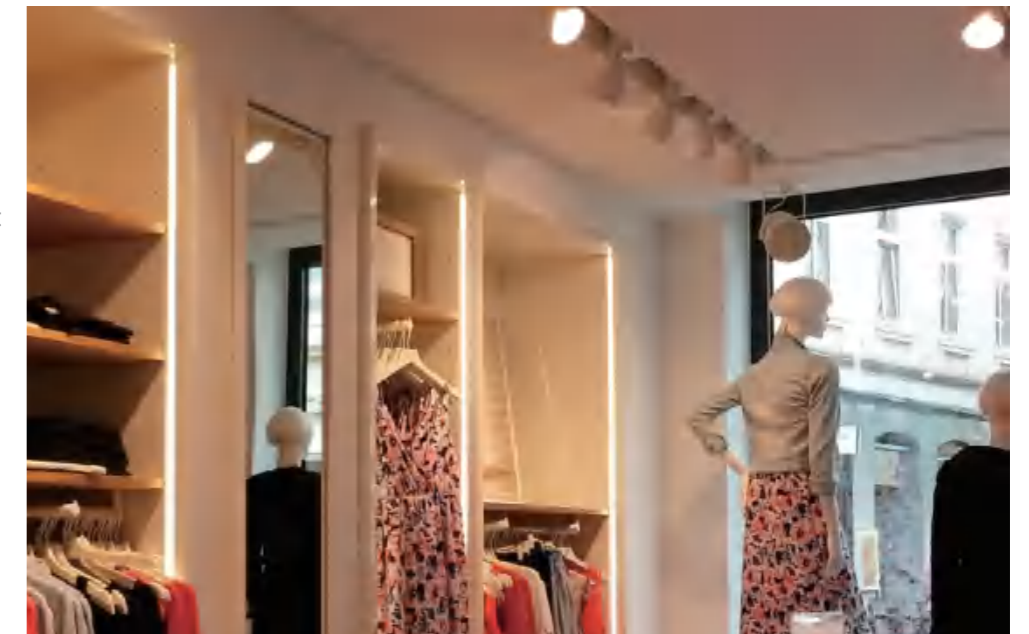
ALP004-R

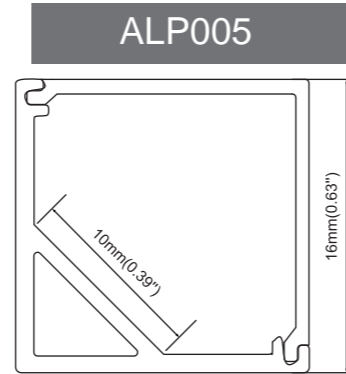


FINISH



Anod. aluminum white Black





Types of installation:



Material: Extruded aluminum
Dimension: 16x16mm
Length: MAX 5m

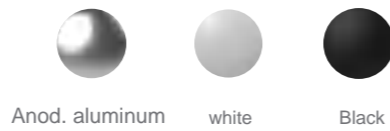


END CAPS



End cap with hole
End cap without hole

FINISH



Anod. aluminum white Black

DIFFUSERS



PMMA opal matte cover
PMMA semi-clear cover
PC diffused cover

DIFFUSERS



Mounting clip (PC)



Mounting clip (metal)

INSTALLATION STEPS



step 01



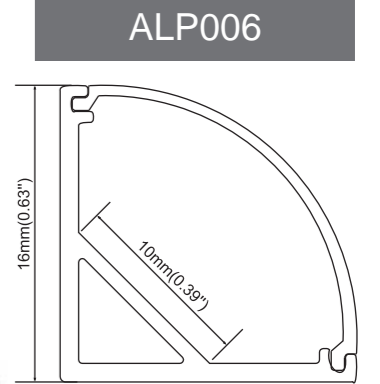
step 02



step 03



step 04



Types of installation:



Material: Extruded aluminum
Dimension: 16x16mm
Length: MAX 5m

END CAPS



End cap with hole
End cap without hole



DIFFUSERS



PMMA opal matte cover
PMMA semi-clear cover
PC diffused cover



Black PC frosted cover

FINISH



Anod. aluminum white Black

ACCESSORIES

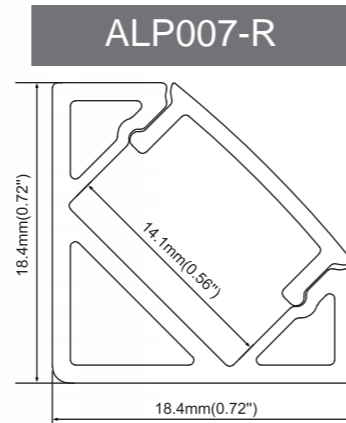


Mounting clip (metal)



Mounting clip (PC)





Types of installation:



Material: Extruded aluminum
Dimension: 18.4×18.4mm
Length: MAX 5m

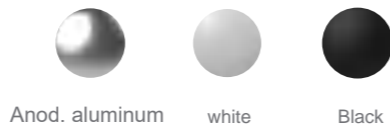


END CAPS



End cap with hole
End cap without hole

FINISH



Anod. aluminum white Black

DIFFUSERS



PMMA opal matte cover
PMMA semi-clear cover
PMMA clear cover
PC diffused cover



Black PC frosted cover

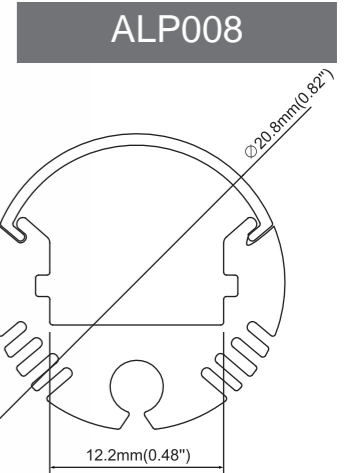
ACCESSORIES



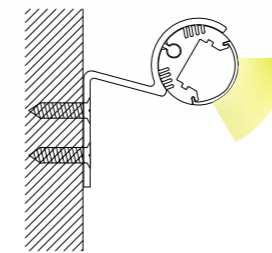
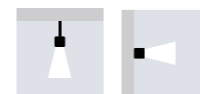
Mounting clip (metal)



Mounting clip (PC)



Types of installation:



Material: Extruded aluminum
Dimension: ϕ 20.8mm
Length: MAX 5m

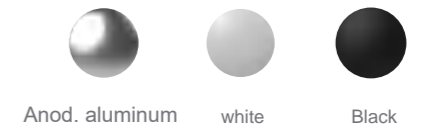


END CAPS



End cap with hole
End cap without hole

FINISH



Anod. aluminum white Black

DIFFUSERS



PMMA opal matte cover
PMMA semi-clear cover
PC diffused cover

ACCESSORIES



Mounting clip (metal)



Steel wire





Types of installation:



Material: Extruded aluminum
Dimension: 19.6x20.1mm
Length: MAX 5m

END CAPS



End cap with hole
End cap without hole

DIFFUSERS



PMMA opal matte cover
PMMA semi-clear cover
PC diffused cover

INSTALLATION STEPS



Types of installation:



Material: Extruded aluminum
Dimension: 19.6x20mm
Length: MAX 5m

END CAPS



End cap with hole
End cap without hole

DIFFUSERS



PMMA opal matte cover
PMMA semi-clear cover
PMMA clear cover
PC diffused cover



FINISH



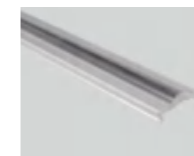
Anod. aluminum white Black

END CAPS



End cap with hole
End cap without hole

DIFFUSERS



PMMA clear cover



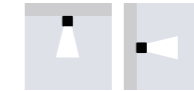
FINISH



Anod. aluminum white Black



Types of installation:



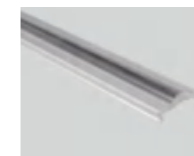
Material: Extruded aluminum
Dimension: 19.6x16mm
Length: MAX 5m

END CAPS



End cap with hole
End cap without hole

DIFFUSERS



PMMA clear cover



FINISH



Anod. aluminum white Black

ALP027



Types of installation:


Material: Extruded aluminum
 Dimension: 20.3x27mm
 Length: MAX 5m

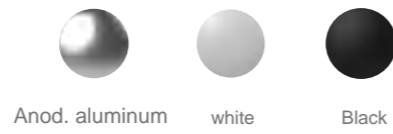
CE IP20



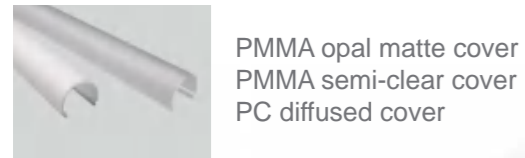
END CAPS



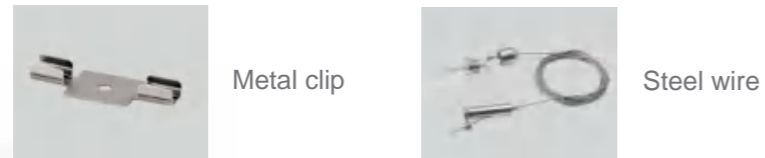
FINISH




DIFFUSERS




ACCESSORIES



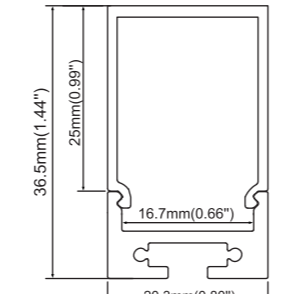
ALP029



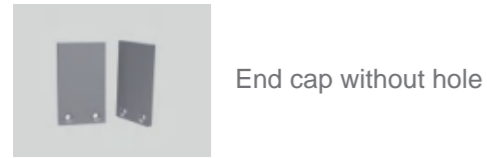
Types of installation:


Material: Extruded aluminum
 Dimension: 20.3x36.5mm
 Length: MAX 5m

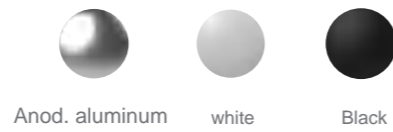
CE IP20



END CAPS



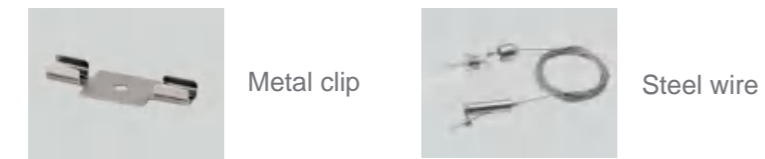
FINISH



DIFFUSERS



ACCESSORIES



ALP028



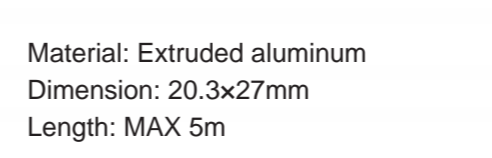
Types of installation:


Material: Extruded aluminum
 Dimension: 20.3x27mm
 Length: MAX 5m

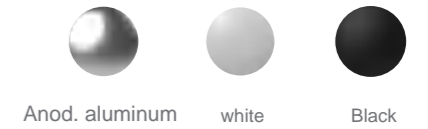
CE IP20



Types of installation:



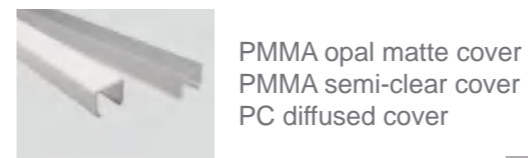
FINISH



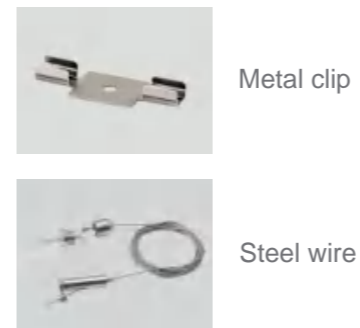
END CAPS



DIFFUSERS



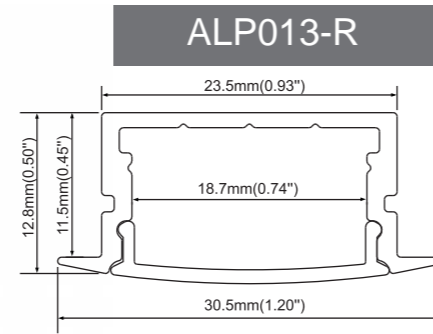
ACCESSORIES



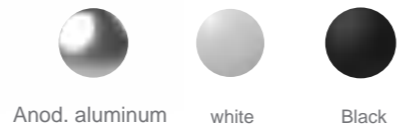
Types of installation:



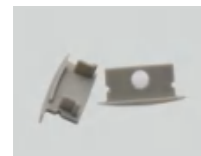
Material: Extruded aluminum
Dimension: 30.5x12.8mm
Length: MAX 5m



FINISH



END CAPS



End cap with hole
End cap without hole

DIFFUSERS



PMMA opal matte cover
PMMA semi-clear cover
PMMA clear cover
PC diffused cover



Black PC frosted cover

ACCESSORIES

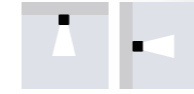


Spring clip

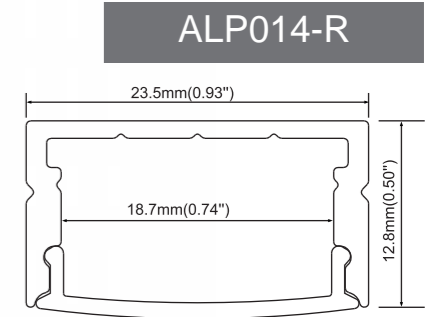


Mounting clip (metal)

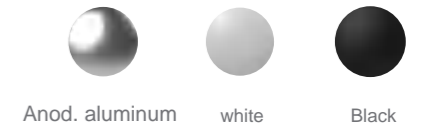
Types of installation:



Material: Extruded aluminum
Dimension: 23.5x12.8mm
Length: MAX 5m



FINISH



END CAPS



End cap with hole
End cap without hole

DIFFUSERS



PMMA opal matte cover
PMMA semi-clear cover
PMMA clear cover
PC diffused cover



Black PC frosted cover

ACCESSORIES



Mounting clip (PC)

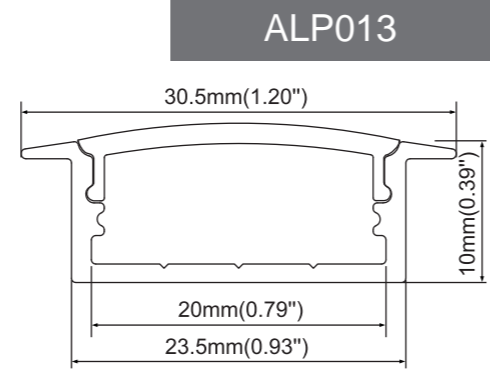


Mounting clip (metal)



Adjustable bracket





Types of installation:



Material: Extruded aluminum
Dimension: 30.5x10mm
Length: MAX 5m



FINISH



Anod. aluminum white Black

END CAPS



End cap with hole
End cap without hole

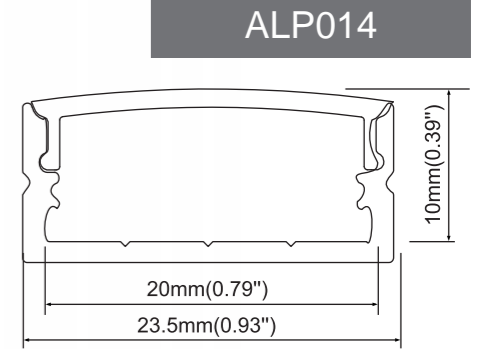
DIFFUSERS



PMMA opal matte cover
PMMA semi-clear cover
PMMA clear cover
PC diffused cover



Black PC frosted cover



Types of installation:



Material: Extruded aluminum
Dimension: 23.5x10mm
Length: MAX 5m



FINISH



Anod. aluminum white Black

END CAPS



End cap with hole
End cap without hole

DIFFUSERS



PMMA opal matte cover
PMMA semi-clear cover
PMMA clear cover
PC diffused cover



Black PC frosted cover

ACCESSORIES



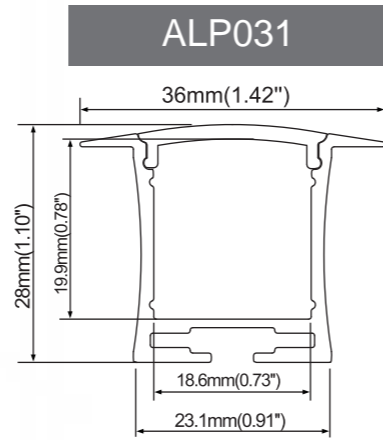
Adjustable bracket



Mounting clip (PC)



Mounting clip (metal)



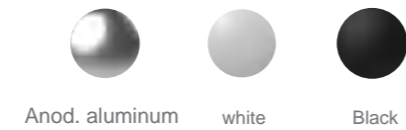
Types of installation:



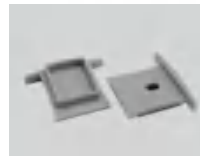
Material: Extruded aluminum
Dimension: 36x28mm
Length: MAX 5m



FINISH



END CAPS



End cap with hole
End cap without hole

DIFFUSERS



PMMA opal matte cover
PMMA semi-clear cover
PMMA clear cover
PC diffused cover



Black PC frosted cover

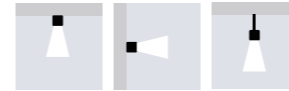
ACCESSORIES



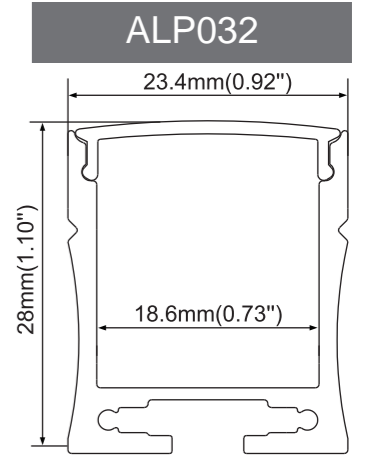
Spring clip



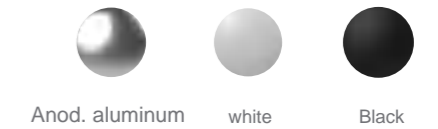
Types of installation:



Material: Extruded aluminum
Dimension: 23.4x28mm
Length: MAX 5m



FINISH



END CAPS



End caps

DIFFUSERS



PMMA opal matte cover
PMMA semi-clear cover
PMMA clear cover
PC diffused cover



Black PC frosted cover

ACCESSORIES



Steel wire



Mounting clip (metal)





ALP015-R

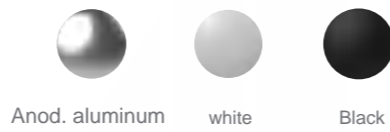
Types of installation:



Material: Extruded aluminum
Dimension: 30x30mm
Length: MAX 5m



FINISH



END CAPS



End cap with hole
End cap without hole

DIFFUSERS



PMMA opal matte cover
PMMA semi-clear cover

ACCESSORIES



Mounting clip (metal)



ALP016-R

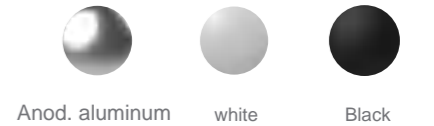
Types of installation:



Material: Extruded aluminum
Dimension: 30x30mm
Length: MAX 5m



FINISH



END CAPS



End cap with hole
End cap without hole

DIFFUSERS

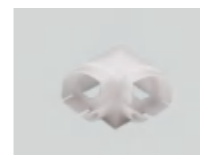


PMMA opal matte cover
PMMA semi-clear cover
PC diffused cover

ACCESSORIES



Mounting clip (metal)



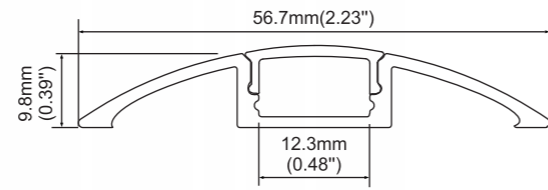
90° Joining connector



180° Joining connector



ALP021



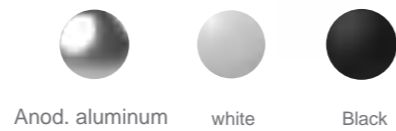
Types of installation:



Material: Extruded aluminum
Dimension: 56.7x9.8mm
Length: MAX 5m



FINISH



END CAPS



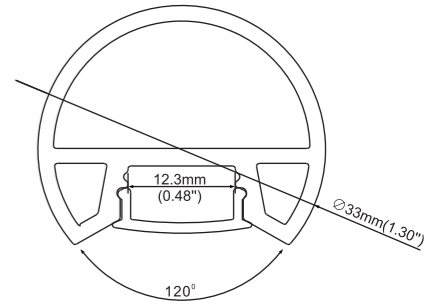
End cap with hole
End cap without hole

DIFFUSERS



PMMA opal matte cover
PMMA semi-clear cover
PMMA clear cover
PC diffused cover

ALP077



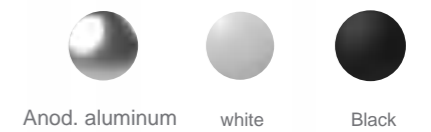
Types of installation:



Material: Extruded aluminum
Dimension: ϕ 33mm
Length: MAX 5m



FINISH



END CAPS



End Caps

DIFFUSERS

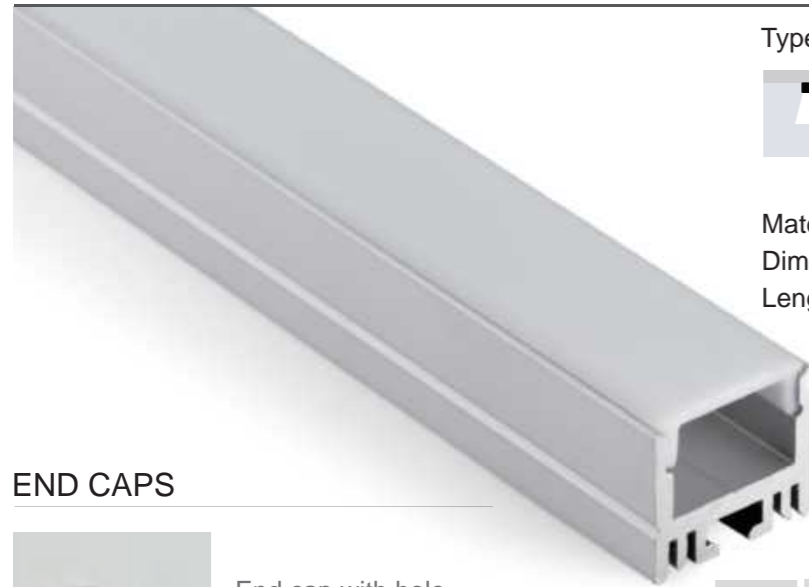


PC diffused cover

ACCESSORIES



Hanging clip

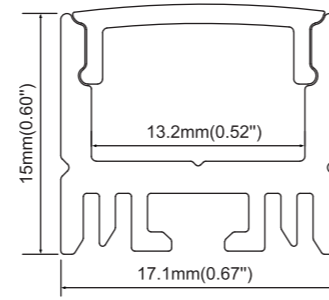


Types of installation:

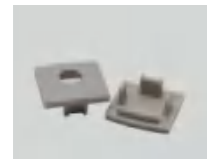


Material: Extruded aluminum
Dimension: 17.1x15mm
Length: MAX 5m

ALP043



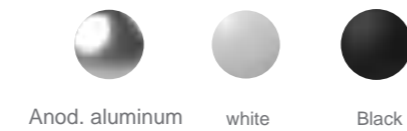
END CAPS



End cap with hole
End cap without hole

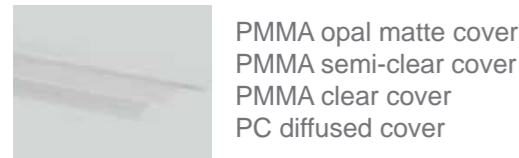


FINISH



ACCESSORIES

DIFFUSERS



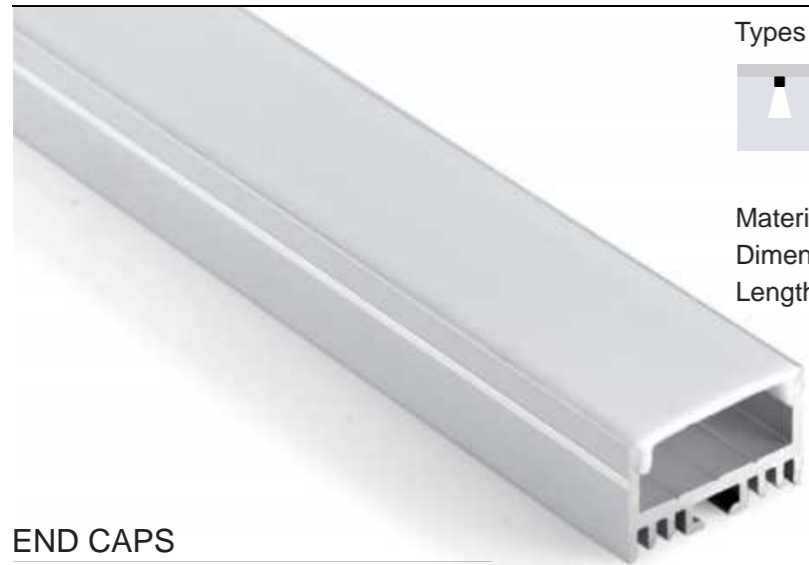
PMMA opal matte cover
PMMA semi-clear cover
PMMA clear cover
PC diffused cover



Black PC frosted cover



Mounting clip
(metal)

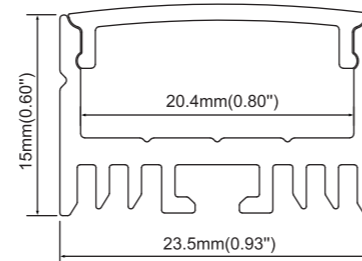


Types of installation:



Material: Extruded aluminum
Dimension: 23.5x15mm
Length: MAX 5m

ALP044



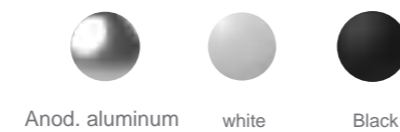
END CAPS



End cap with hole
End cap without hole

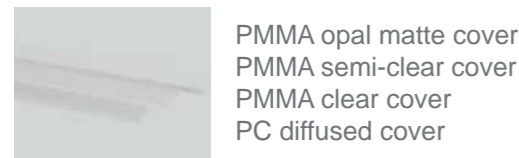


FINISH



ACCESSORIES

DIFFUSERS



PMMA opal matte cover
PMMA semi-clear cover
PMMA clear cover
PC diffused cover



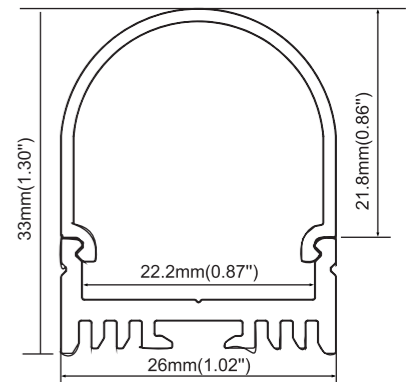
Black PC frosted cover



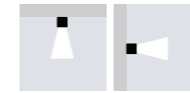
Mounting clip
(metal)



ALP044-PC-R



Types of installation:



Material: Extruded aluminum
Dimension: 26x33mm
Length: MAX 5m

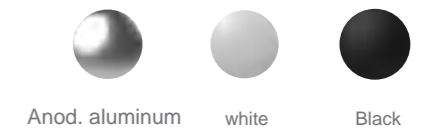


END CAPS



End cap with hole
End cap without hole

FINISH



DIFFUSERS



PC diffused cover

ACCESSORIES



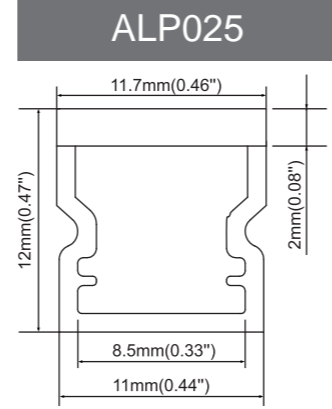
Mounting clip (metal)



180° Joining connector



90° Joining connector



Types of installation:



Material: PMMA
Dimension: 11.7x12mm
Length: MAX 5m



FINISH



white

END CAPS



End cap with hole
End cap without hole

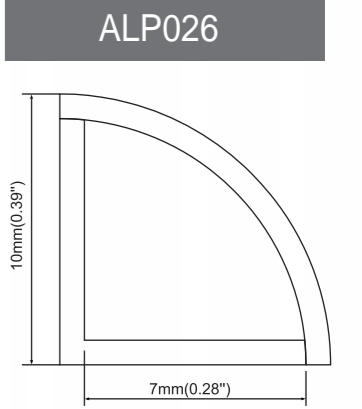
ACCESSORIES



Mounting clip (metal)



Rigid LED light bar



Types of installation:



Material: PMMA
Dimension: 10x10mm
Length: MAX 5m



FINISH



white

END CAPS



End cap with hole
End cap without hole

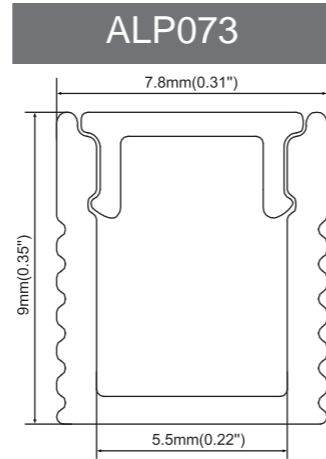
ACCESSORIES



Mounting clip (metal)



Rigid LED light bar



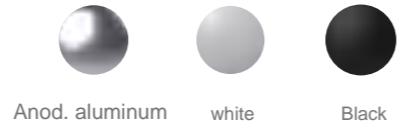
Types of installation:



Material: Extruded aluminum
Dimension: 7.8x9mm
Length: MAX 5m



FINISH



END CAPS



End cap with hole
End cap without hole

DIFFUSERS



PC diffused cover

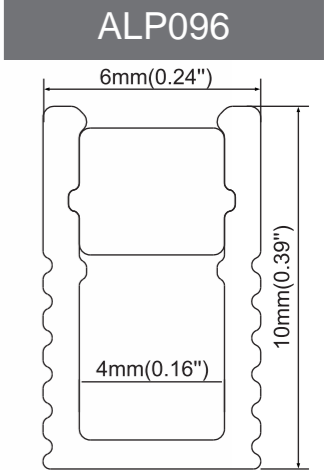


Black PC frosted cover

ACCESSORIES



Mounting clip (metal)



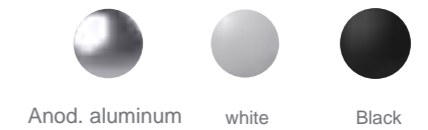
Types of installation:



Material: Extruded aluminum
Dimension: 6x10mm
Length: MAX 5m



FINISH



END CAPS



End cap with hole
End cap without hole

DIFFUSERS



Silicon cover

ACCESSORIES



3M tape 5mm wide

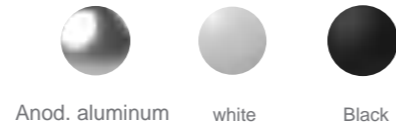
Types of installation:



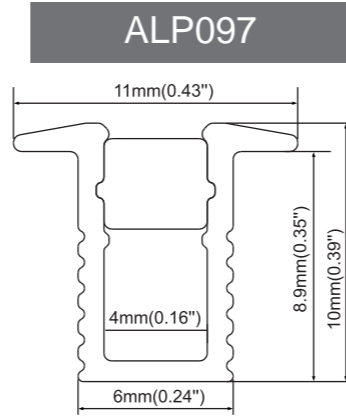
Material: Extruded aluminum
Dimension: 11x10mm
Length: MAX 5 m



FINISH



Anod. aluminum white Black



END CAPS



End cap with hole
End cap without hole

DIFFUSERS

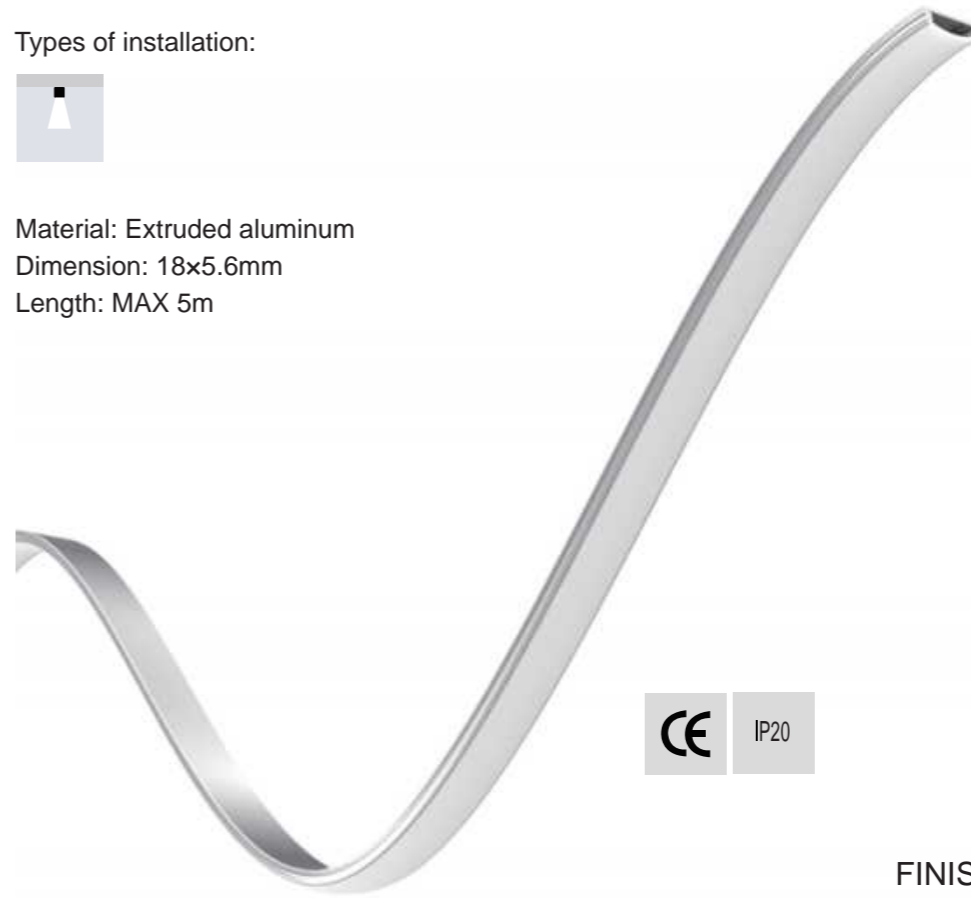


Silicon cover

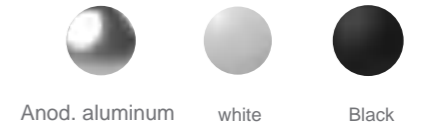
Types of installation:



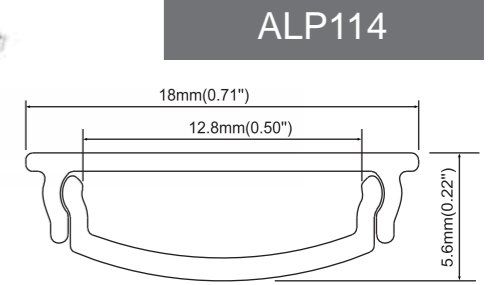
Material: Extruded aluminum
Dimension: 18x5.6mm
Length: MAX 5m



FINISH



Anod. aluminum white Black



END CAPS



End cap with hole
End cap without hole

DIFFUSERS



PC diffused cover

ACCESSORIES



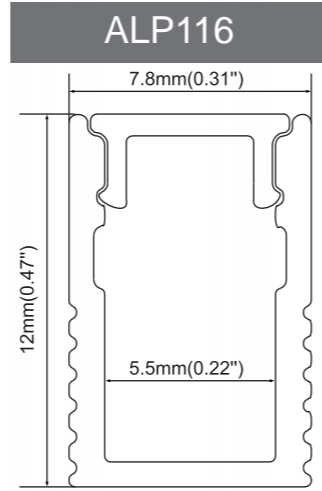
Mounting clip (metal)



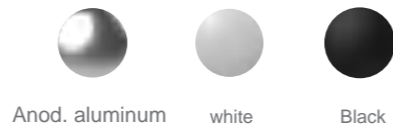
Types of installation:



Material: Extruded aluminum
Dimension: 7.8x12mm
Length: MAX 5m



FINISH



END CAPS



End cap with hole
End cap without hole

DIFFUSERS



PC frosted cover



Black PC frosted cover

ACCESSORIES



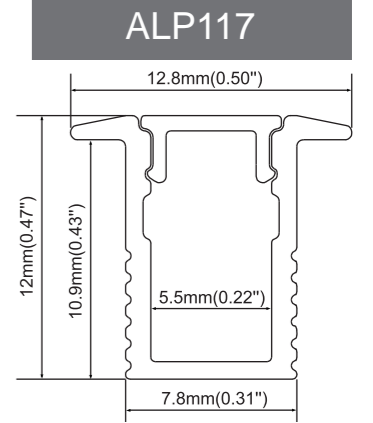
Mounting clip(metal)



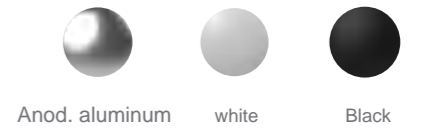
Types of installation:



Material: Extruded aluminum
Dimension: 12.8x12mm
Length: MAX 5m



FINISH



END CAPS



End cap with hole
End cap without hole

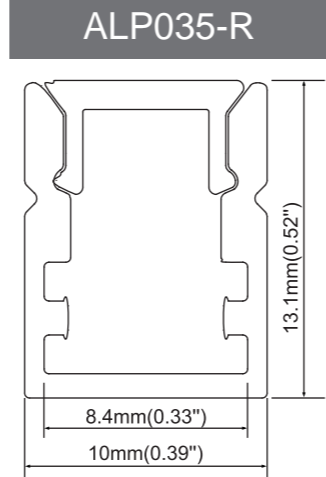
DIFFUSERS



PC frosted cover



Black PC frosted cover



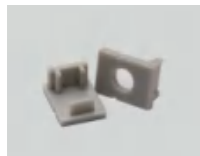
Types of installation:



Material: Extruded aluminum
Dimension: 10x13.1mm
Length: MAX 5m

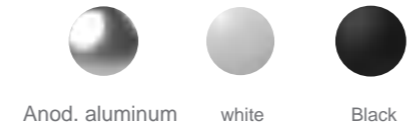


END CAPS



End cap with hole
End cap without hole

FINISH



DIFFUSERS



PMMA diffused cover

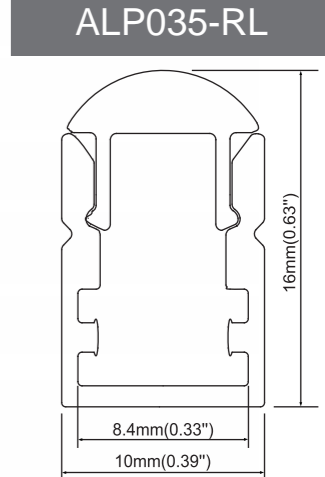
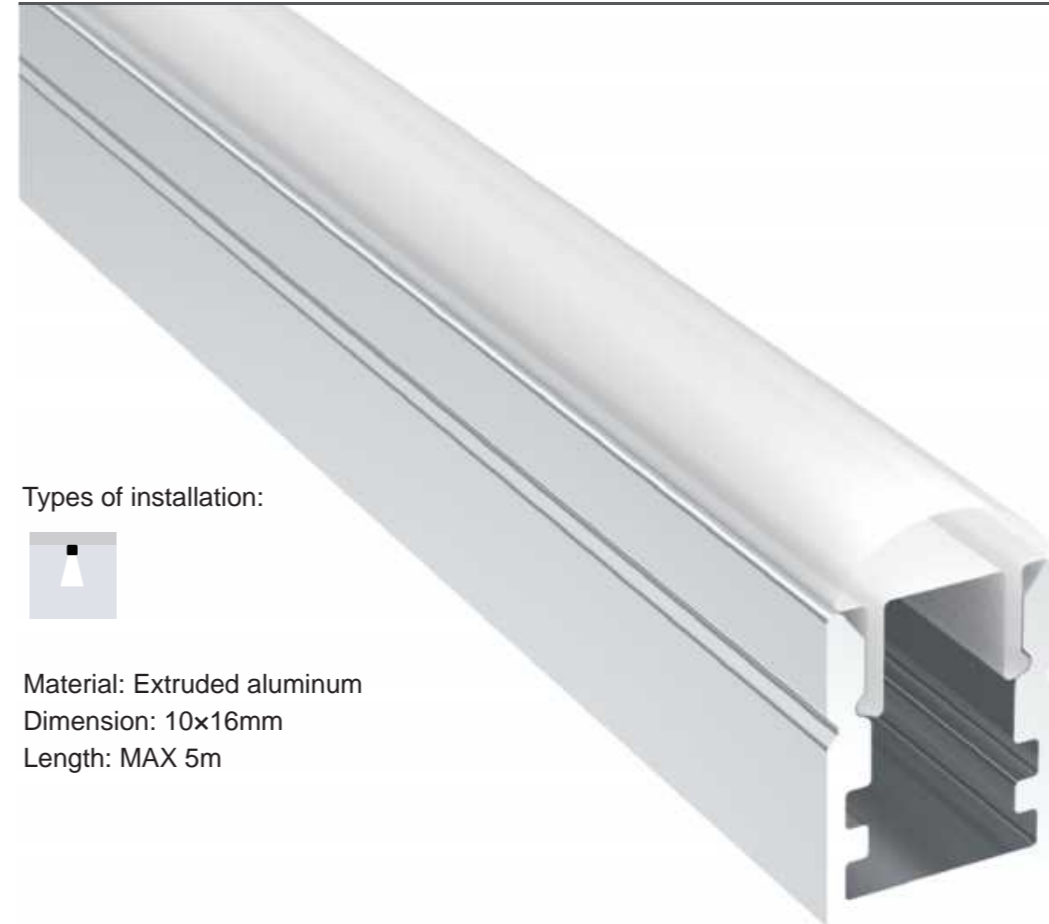


Black PC frosted cover

ACCESSORIES



Mounting clip (metal)



Types of installation:



Material: Extruded aluminum
Dimension: 10x16mm
Length: MAX 5m



END CAPS

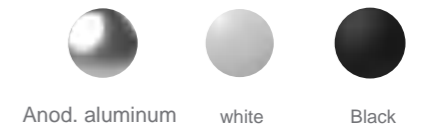


End cap with hole



End cap without hole

FINISH



DIFFUSERS



PMMA frosted 15 degrees

ACCESSORIES



Mounting clip (metal)



Types of installation:



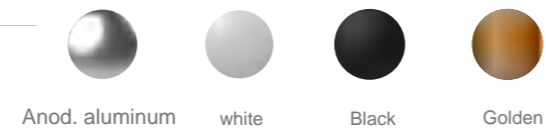
Material: Extruded aluminum
Dimension: 10x12mm
Length: MAX 5m



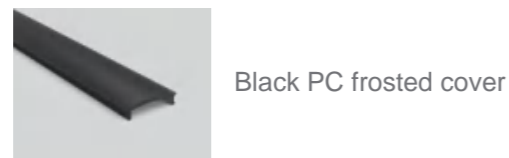
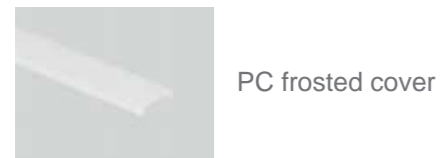
END CAPS



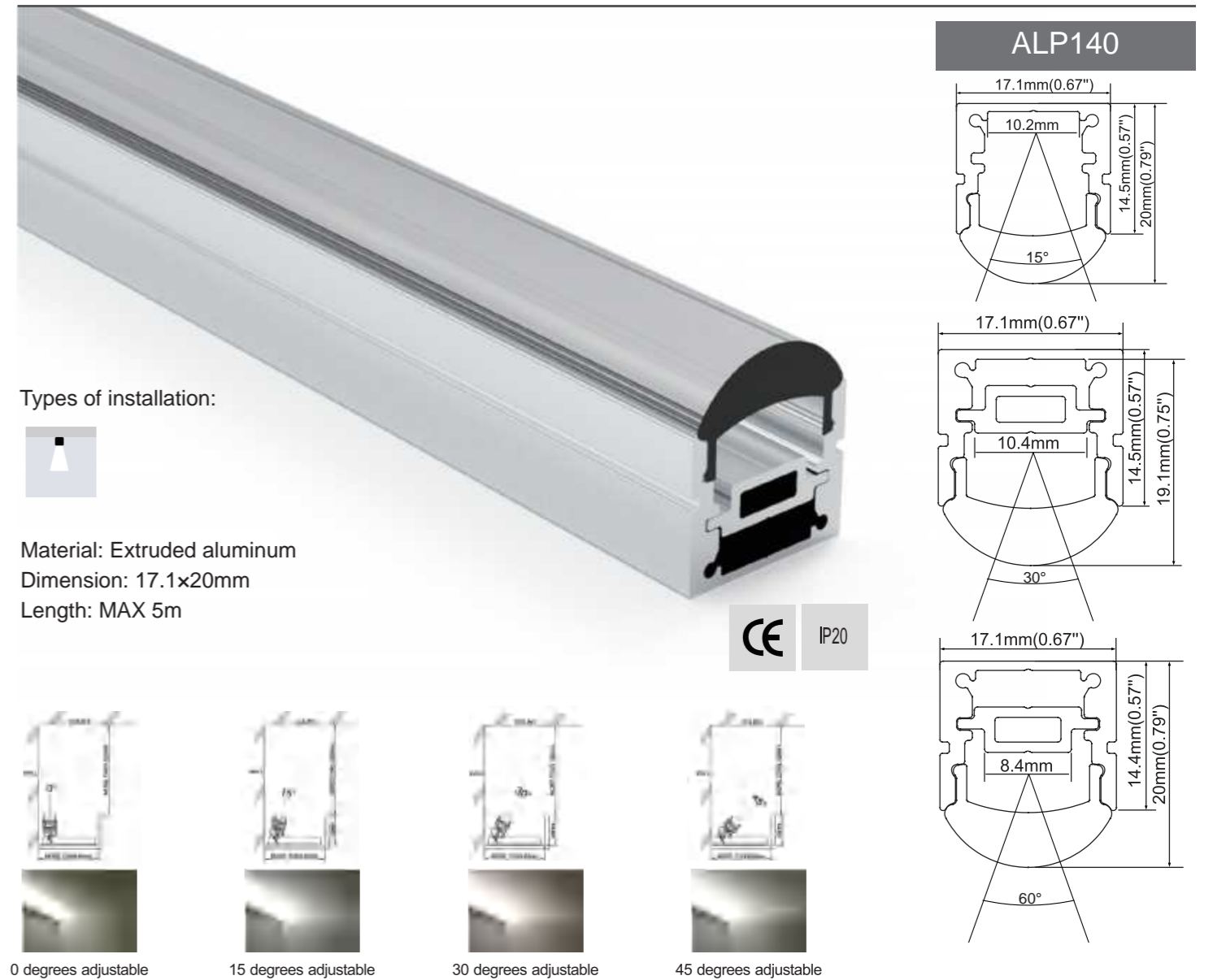
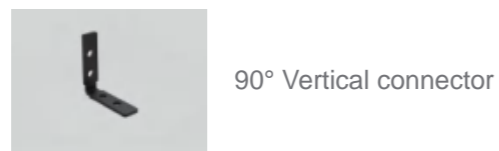
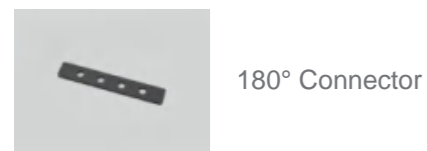
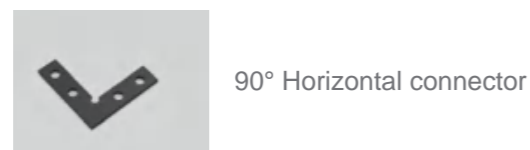
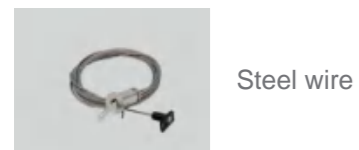
FINISH



DIFFUSERS



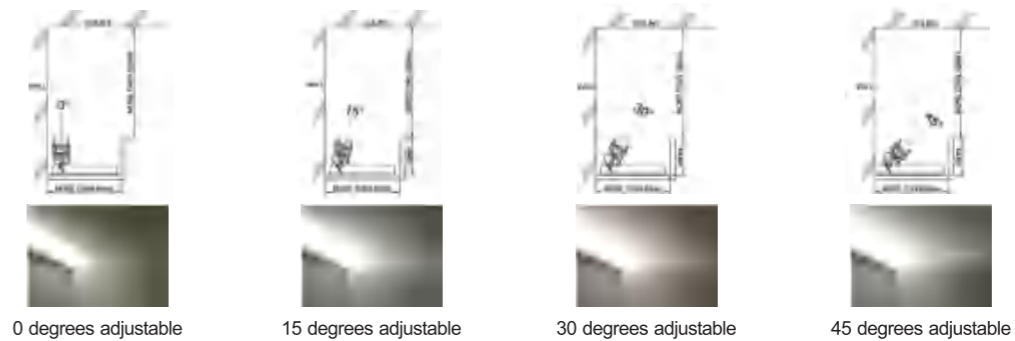
ACCESSORIES



Types of installation:



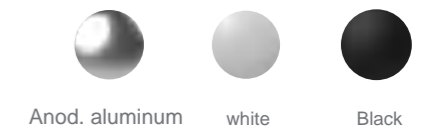
Material: Extruded aluminum
Dimension: 17.1x20mm
Length: MAX 5m



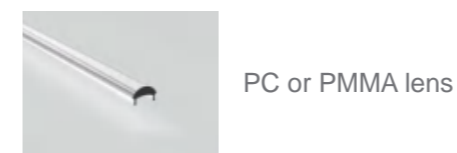
END CAPS



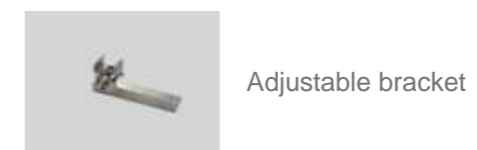
FINISH



DIFFUSERS



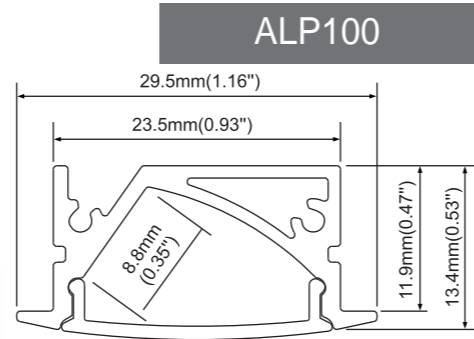
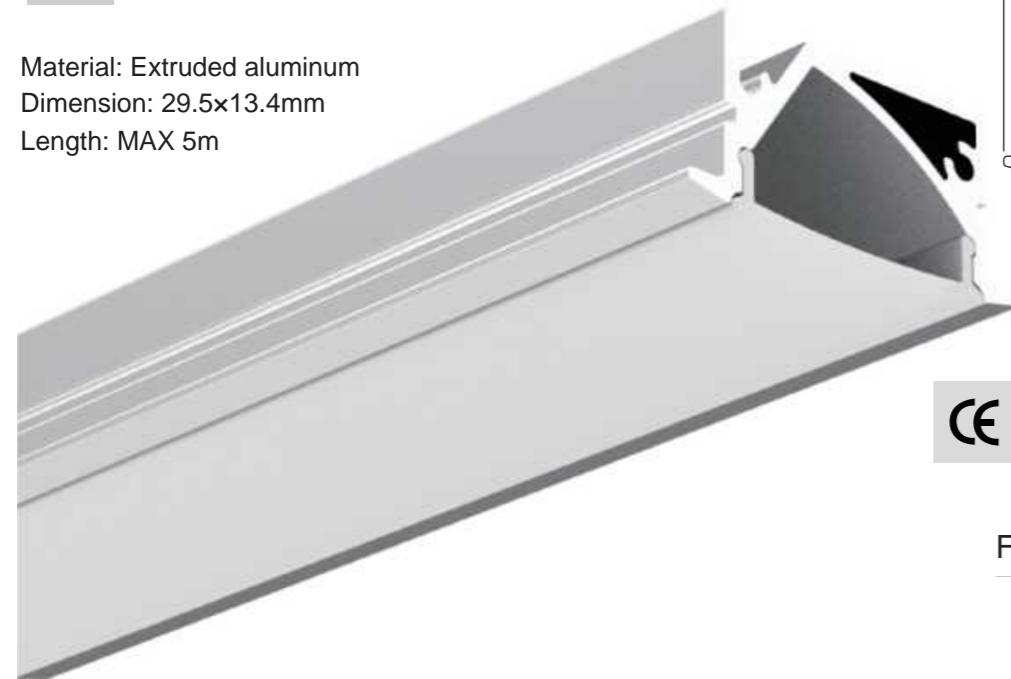
ACCESSORIES



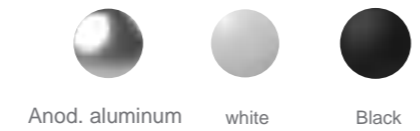
Types of installation:



Material: Extruded aluminum
Dimension: 29.5x13.4mm
Length: MAX 5m



FINISH



END CAPS



End Caps

DIFFUSERS



PC diffused cover

ACCESSORIES

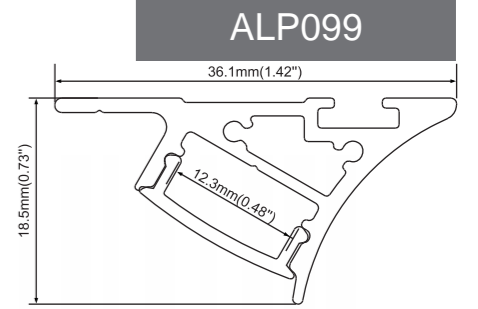


Spring clip

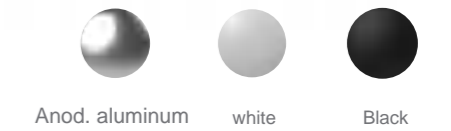
Types of installation:



Material: Extruded aluminum
Dimension: 36.1x18.5mm
Length: MAX 5m



FINISH



END CAPS



End cap with hole
End cap without hole

DIFFUSERS



PC diffused cover

ACCESSORIES



3M tape 10mm wide

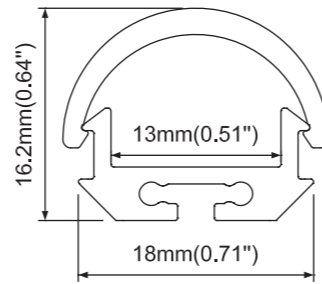


Types of installation:



Material: Extruded aluminum
Dimension: 18x16.2mm
Length: MAX 5m

ALP039

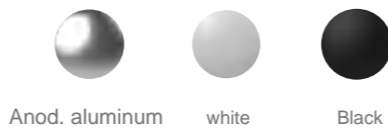


END CAPS



End cap with hole
End cap without hole

FINISH



DIFFUSERS



PMMA opal matte
PMMA semi clear

ACCESSORIES



Mounting clip (metal)

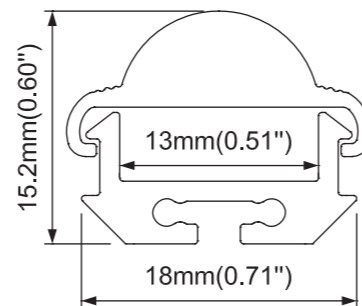


Types of installation:



Material: Extruded aluminum
Dimension: 18x15.2mm
Length: MAX 5m

ALP039-30

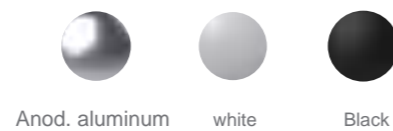


END CAPS



End cap with hole
End cap without hole

FINISH



DIFFUSERS



30 degrees lens
PMMA semi clear

ACCESSORIES



Mounting clip (metal)

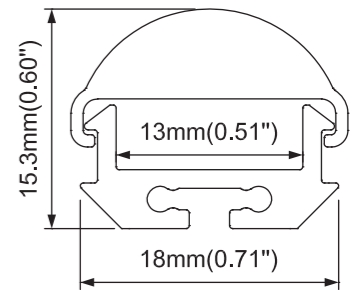


Types of installation:



Material: Extruded aluminum
Dimension: 18x15.3mm
Length: MAX 5m

ALP039-60

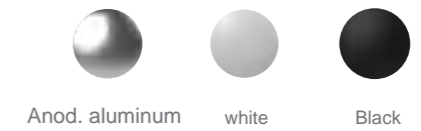


END CAPS



End cap with hole
End cap without hole

FINISH



DIFFUSERS



60 degrees lens
PMMA semi clear

ACCESSORIES



Mounting clip (metal)

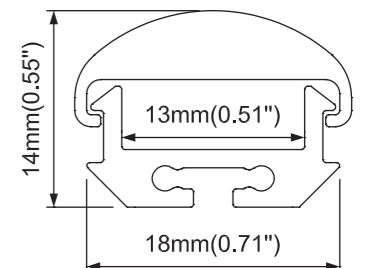


Types of installation:



Material: Extruded aluminum
Dimension: 18x14mm
Length: MAX 5m

ALP039-90

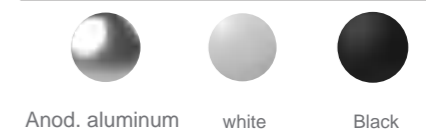


END CAPS



End cap with hole
End cap without hole

FINISH



DIFFUSERS



90 degrees lens
PMMA semi clear

ACCESSORIES



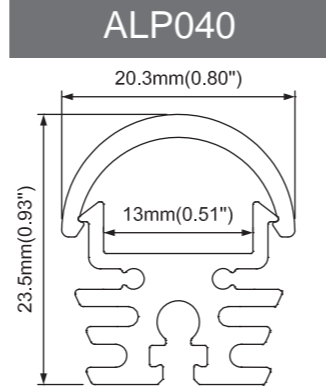
Mounting clip (metal)



Types of installation:



Material: Extruded aluminum
Dimension: 20.3x23.5mm
Length: MAX 5m

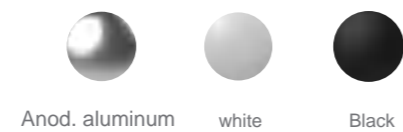


END CAPS



End Caps

FINISH

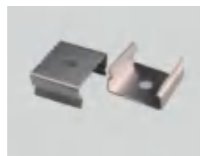


DIFFUSERS



PMMA opal matte
PMMA semi clear

ACCESSORIES



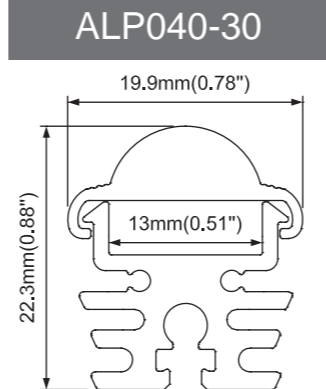
Mounting clip (metal)



Types of installation:



Material: Extruded aluminum
Dimension: 19.9x22.3mm
Length: MAX 5m

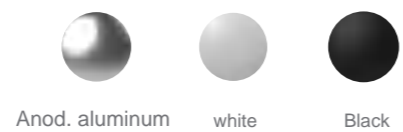


END CAPS



End Caps

FINISH



DIFFUSERS



30 degrees lens
PMMA semi clear

ACCESSORIES



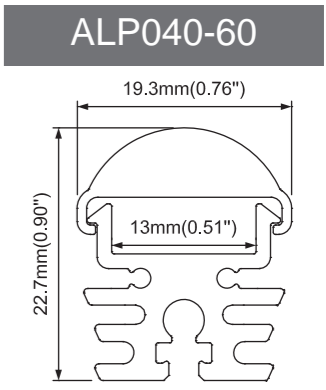
Mounting clip (metal)



Types of installation:



Material: Extruded aluminum
Dimension: 19.3x22.7mm
Length: MAX 5m

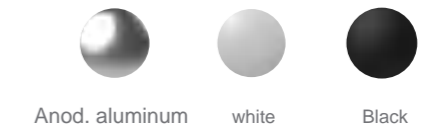


END CAPS



End Caps

FINISH



DIFFUSERS



60 degrees lens
PMMA semi clear

ACCESSORIES



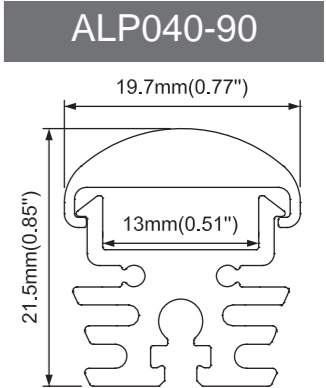
Mounting clip (metal)



Types of installation:



Material: Extruded aluminum
Dimension: 19.7x21.5mm
Length: MAX 5m



END CAPS



End Caps

FINISH



DIFFUSERS

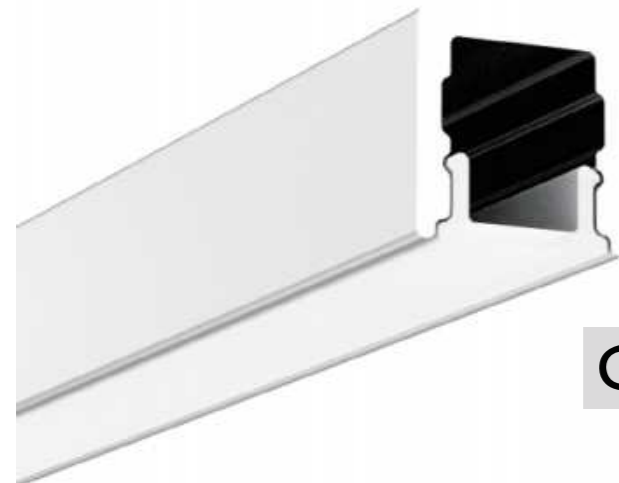


90 degrees lens
PMMA semi clear

ACCESSORIES



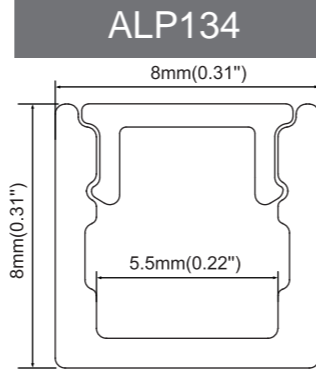
Mounting clip (metal)



Types of installation:



Material: Extruded aluminum
Dimension: 8x8mm
Length: MAX 5m

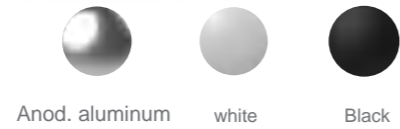


END CAPS



End cap with hole
End cap without hole

FINISH



Anod. aluminum white Black

DIFFUSERS



PC frosted cover



Black PC frosted cover

ACCESSORIES



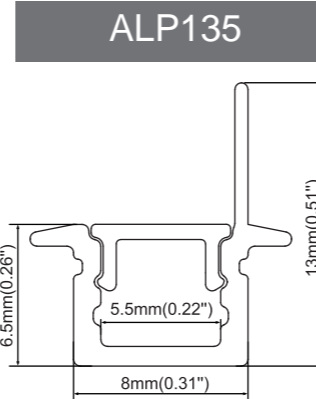
Mounting clip (metal)



Types of installation:



Material: Extruded aluminum
Dimension: 8x13mm
Length: MAX 5m

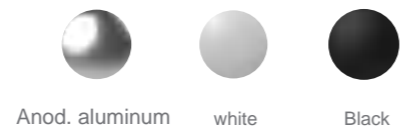


END CAPS



End cap with hole
End cap without hole

FINISH



Anod. aluminum white Black

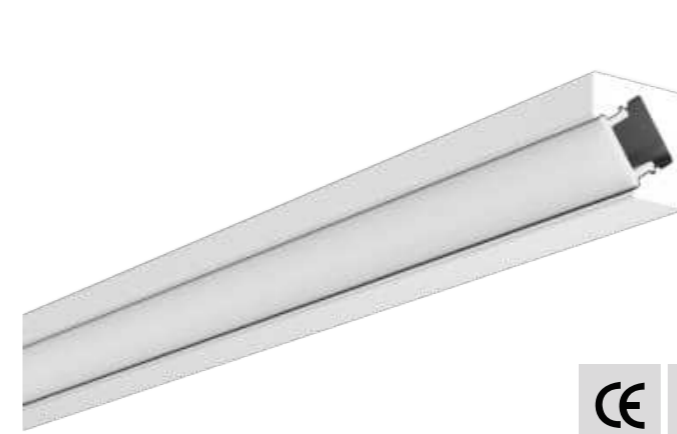
DIFFUSERS



PC frosted cover



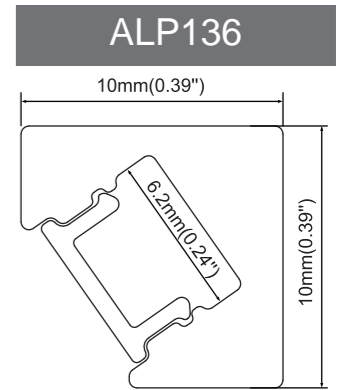
Black PC frosted cover



Types of installation:



Material: Extruded aluminum
Dimension: 10x10mm
Length: MAX 5m

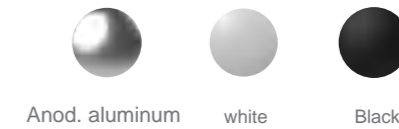


END CAPS



End cap with hole
End cap without hole

FINISH



Anod. aluminum white Black

DIFFUSERS



PC frosted cover



Black PC frosted cover



Mounting clip (metal)

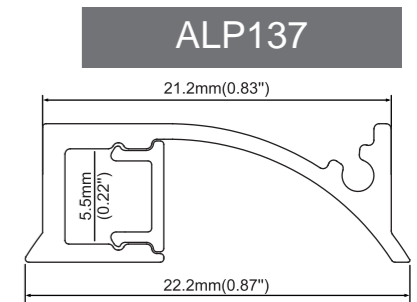
ACCESSORIES



Types of installation:



Material: Extruded aluminum
Dimension: 22.2x8mm
Length: MAX 5m

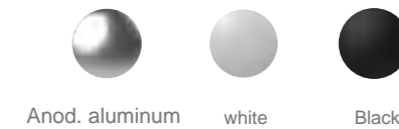


END CAPS



End cap with hole
End cap without hole

FINISH



Anod. aluminum white Black

DIFFUSERS



PC frosted cover



Black PC frosted cover

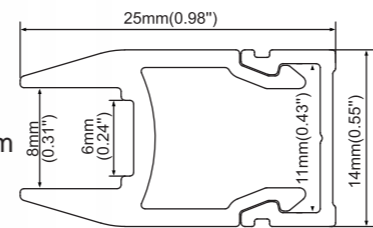


Types of installation:

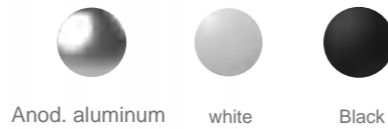


Material: Extruded aluminum
Dimension: 25x14mm
Length: MAX 5m

ALP138



FINISH



END CAPS

DIFFUSERS



End cap with hole
End cap without hole



PC diffused cover

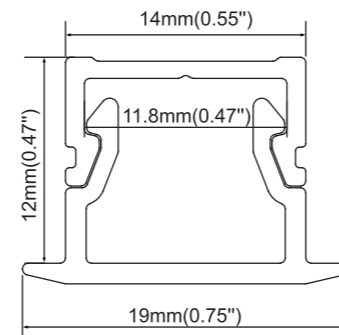


Types of installation:

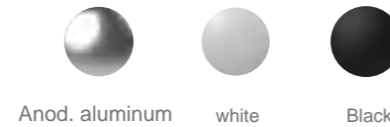


Material: Extruded aluminum
Dimension: 19x12mm
Length: MAX 5m

ALP139



FINISH



END CAPS



End cap with hole
End cap without hole

DIFFUSERS

ACCESSORIES



PC diffused cover



Mounting clip (metal)

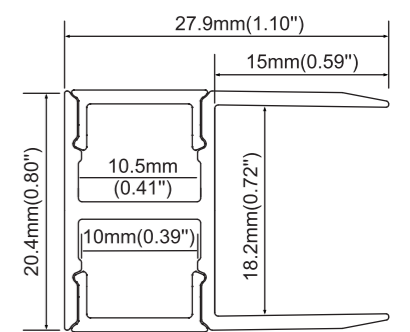


Types of installation:

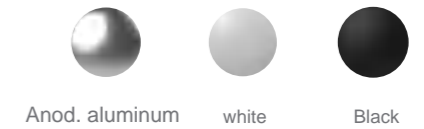


Material: Extruded aluminum
Dimension: 27.9x20.4mm
Length: MAX 5m

ALP180



FINISH



END CAPS



End cap with hole
End cap without hole

DIFFUSERS



PC diffused cover

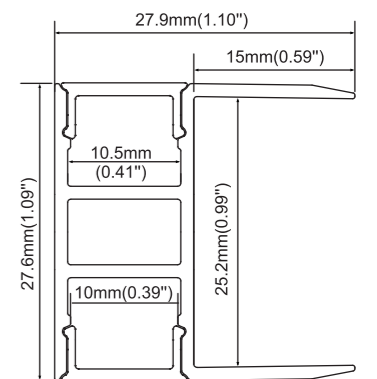


Types of installation:

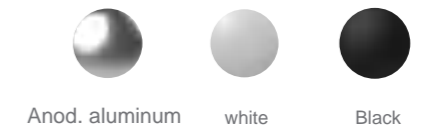


Material: Extruded aluminum
Dimension: 27.9x27.6mm
Length: MAX 5m

ALP181



FINISH



END CAPS



End cap with hole
End cap without hole

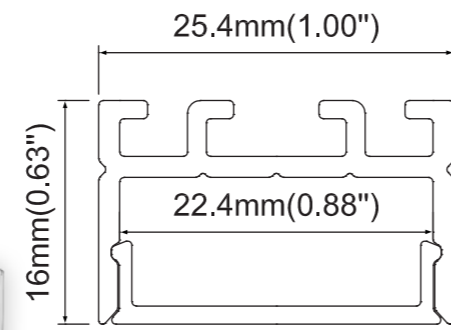
DIFFUSERS



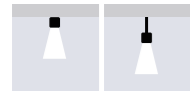
PC diffused cover



ALP109-R



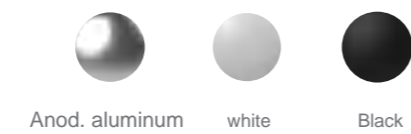
Types of installation:



Material: Extruded aluminum
Dimension: 25.4x16mm
Length: MAX 5m



FINISH



END CAPS



End cap with hole
End cap without hole

DIFFUSERS



PC diffused cover

ACCESSORIES



Mounting clip (metal)



90° Horizontal connector



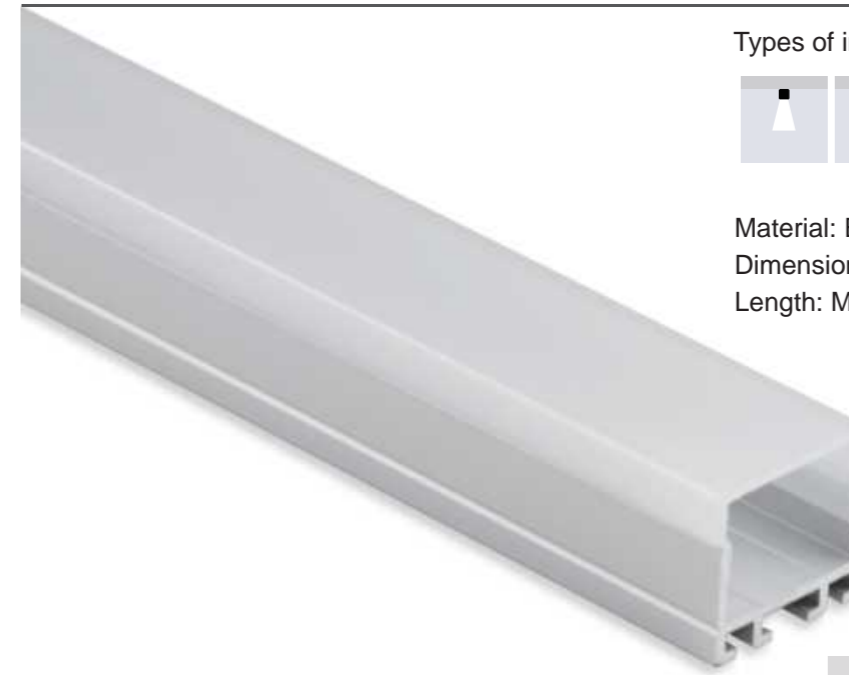
90° Vertical connector



180° connector



Steel wire

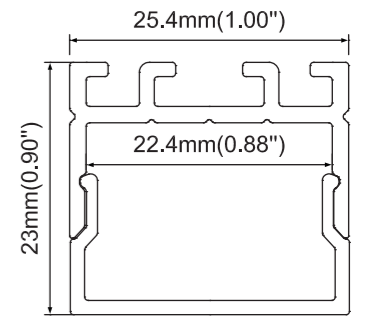


Types of installation:

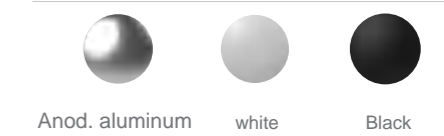


Material: Extruded aluminum
Dimension: 25.4x23mm
Length: MAX 5m

ALP109-D



FINISH



END CAPS



End Caps

DIFFUSERS



PC diffused cover

ACCESSORIES



Mounting clip (metal)



90° Vertical connector



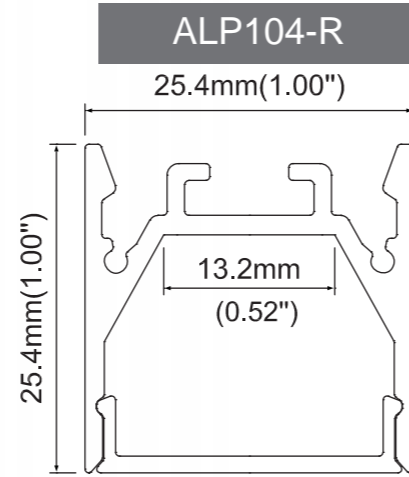
180° Connector



90° Horizontal connector



Steel wire



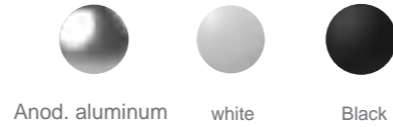
Types of installation:



Material: Extruded aluminum
Dimension: 25.4x25.4mm
Length: MAX 5m



FINISH



END CAPS



End Caps

DIFFUSERS



PC diffused cover

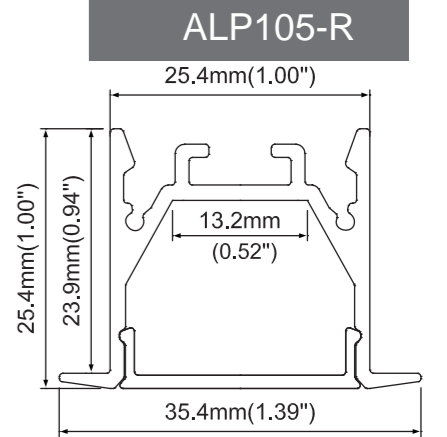
ACCESSORIES



Mounting clip (metal)



Steel wire



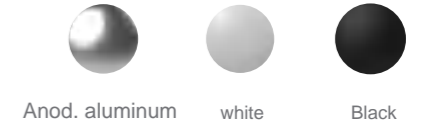
Types of installation:



Material: Extruded aluminum
Dimension: 35.4x25.4mm
Length: MAX 5m



FINISH



END CAPS



End cap with hole
End cap without hole

DIFFUSERS

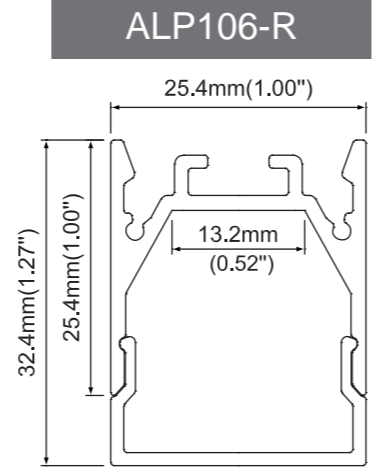
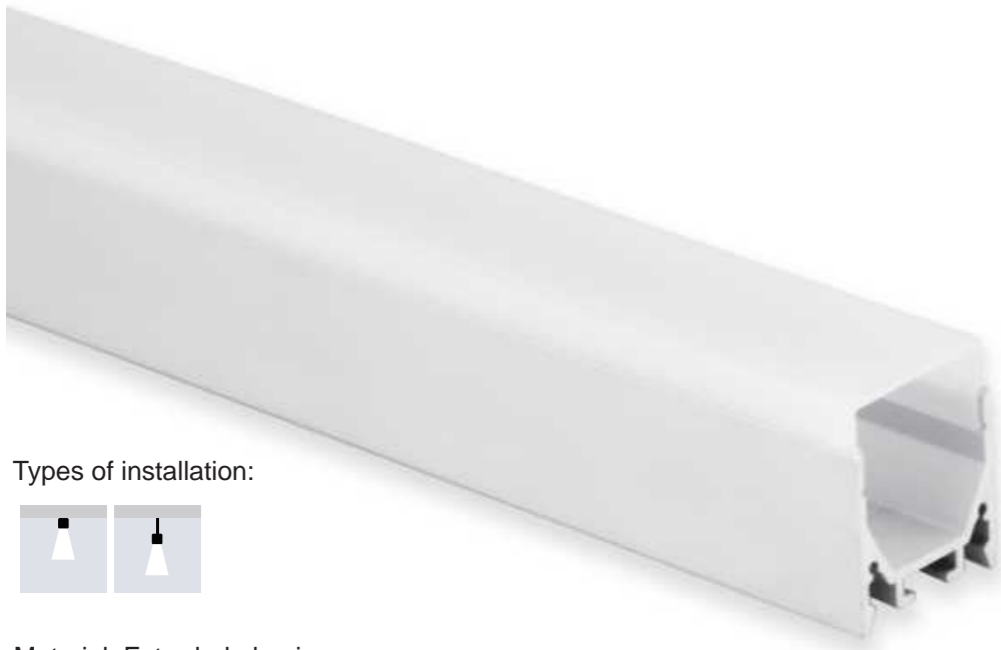


PC diffused cover

ACCESSORIES



Spring clip



Types of installation:



Material: Extruded aluminum
Dimension: 25.4x32.4mm
Length: MAX 5m

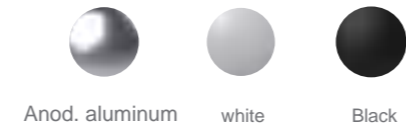


END CAPS



End Caps

FINISH



DIFFUSERS



PC diffused cover

ACCESSORIES



Mounting clip (metal)



90° Vertical connector



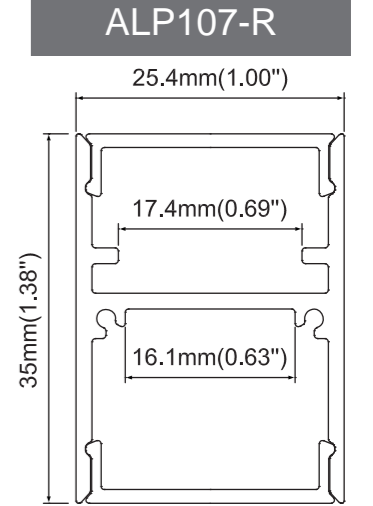
180° Connector



90° Horizontal connector



Steel wire



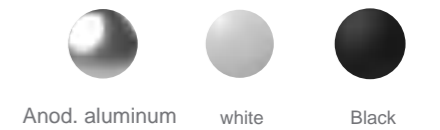
Types of installation:



Material: Extruded aluminum
Dimension: 25.4x35mm
Length: MAX 5m



FINISH



END CAPS



End Caps

DIFFUSERS



PC diffused cover

ACCESSORIES



Hanging clip



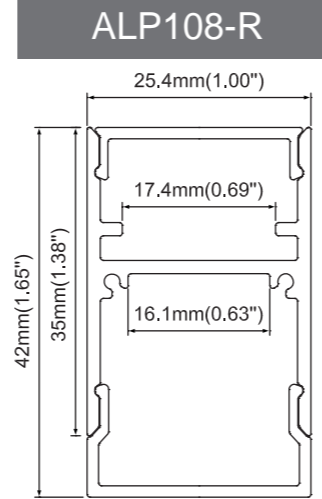
90° Horizontal connector



Steel wire



180° Horizontal connector



Types of installation:



Material: Extruded aluminum
Dimension: 25.4x42mm
Length: MAX 5m



FINISH



Anod. aluminum white Black

END CAPS



End Caps

DIFFUSERS



PC diffused cover



PC diffused cover

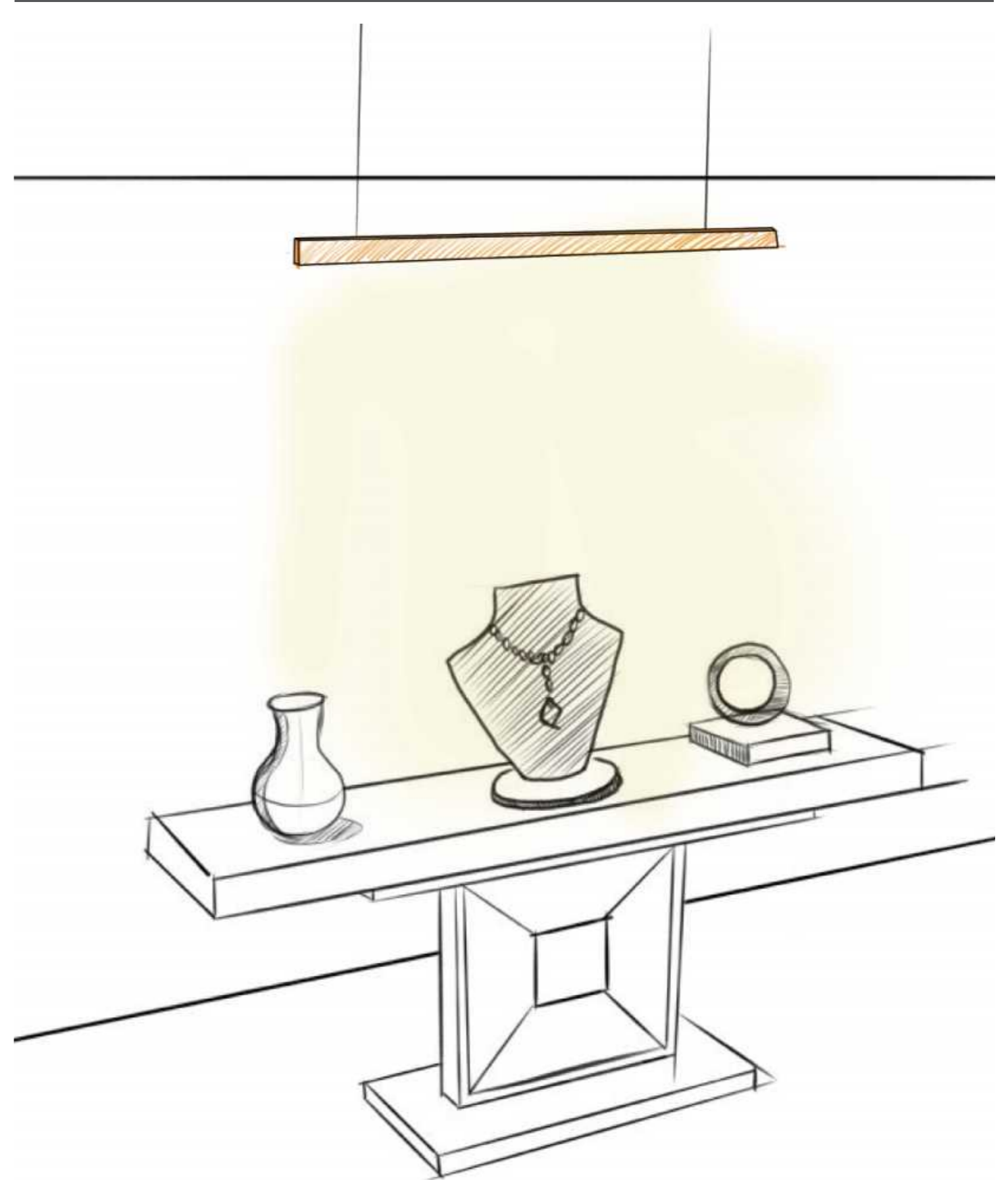
ACCESSORIES



Hanging clip



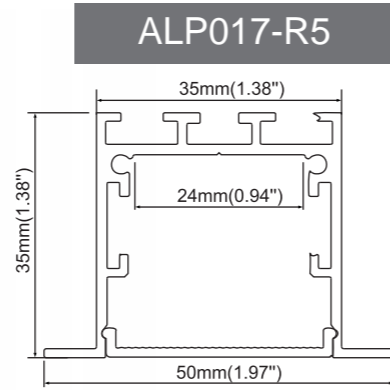
Steel wire



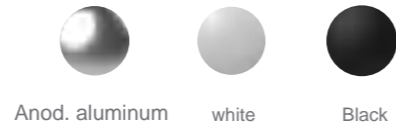
Types of installation:



Material: Extruded aluminum
Dimension: 50x35mm
Length: MAX 5m



FINISH

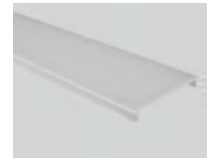


END CAPS



Aluminium end cap without hole

DIFFUSERS



PMMA opal matte cover
PMMA semi-clear cover
PC diffused cover



Black PC frosted cover

ACCESSORIES



Spring clip



Connector T



Connector X



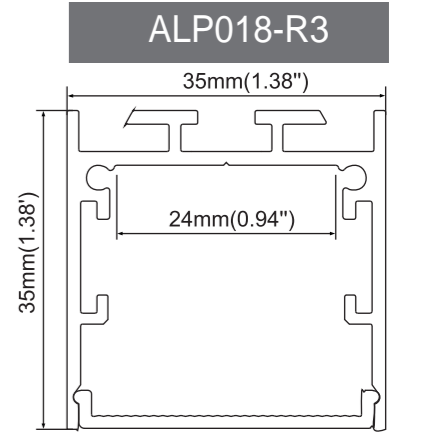
Connector IL



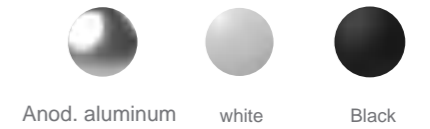
Types of installation:



Material: Extruded aluminum
Dimension: 35x35mm
Length: MAX 5m



FINISH



END CAPS



Aluminium end cap without hole

DIFFUSERS



PMMA opal matte cover
PMMA semi-clear cover
PC diffused cover



Black PC frosted cover

ACCESSORIES



Mounting clip (metal)



Steel wire



Connector T



Connector X



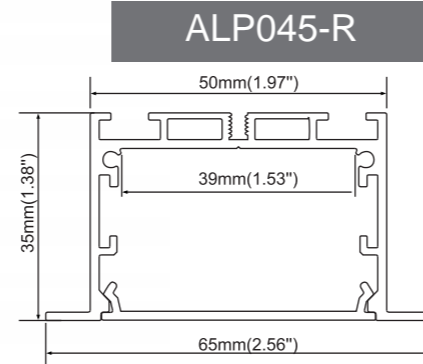
Connector IL



Types of installation:



Material: Extruded aluminum
Dimension: 65x35mm
Length: MAX 5m



FINISH



Anod. aluminum white Black

END CAPS



Aluminium end cap without hole

DIFFUSERS



PC diffused cover

ACCESSORIES



Spring clip



Connector X



Connector T



Connector IL

Types of installation:



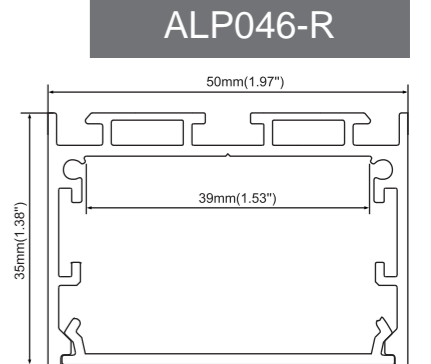
Material: Extruded aluminum
Dimension: 50x35mm
Length: MAX 5m



FINISH



Anod. aluminum white Black



END CAPS



Aluminium end cap without hole

DIFFUSERS

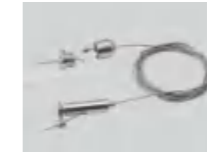


PC diffused cover

ACCESSORIES



Mounting clip (metal)



Steel wire



90° Horizontal connector



180° Connector



90° Vertical Connector



Connector T



Connector X

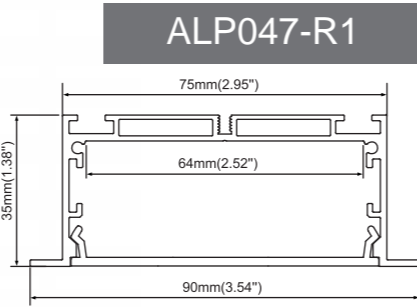


Connector IL

Types of installation:



Material: Extruded aluminum
Dimension: 90x35mm
Length: MAX 5m



FINISH



Anod. aluminum white Black

END CAPS



Aluminium end cap without hole

DIFFUSERS



PC diffused cover

ACCESSORIES



Spring clip



Connector T



Connector X



Connector IL

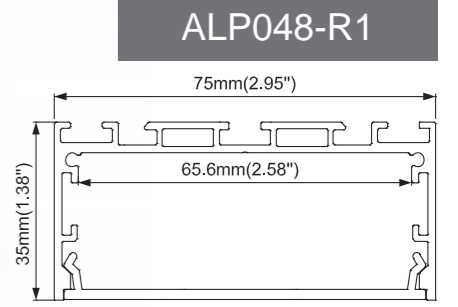


Connector IL

Types of installation:



Material: Extruded aluminum
Dimension: 75x35mm
Length: MAX 5m



FINISH



Anod. aluminum white Black

END CAPS



Aluminium end cap without hole

DIFFUSERS

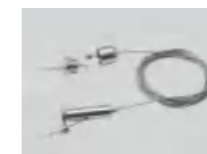


PC diffused cover

ACCESSORIES



Mounting clip (metal)



Steel wire



Connector T



Connector X



Connector L

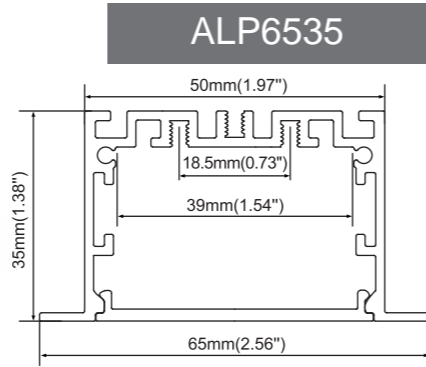


Connector IL

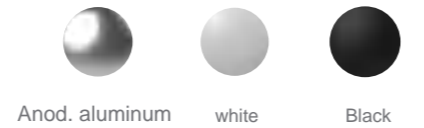
Types of installation:



Material: Extruded aluminum
Dimension: 65x35mm
Length: MAX 5m



FINISH



END CAPS



Aluminium end cap without hole

DIFFUSERS



PC frosted cover

ACCESSORIES



Spring clip



LED Module:
2835LED 28W/1.2M



Connector T



Connector X



Connector L

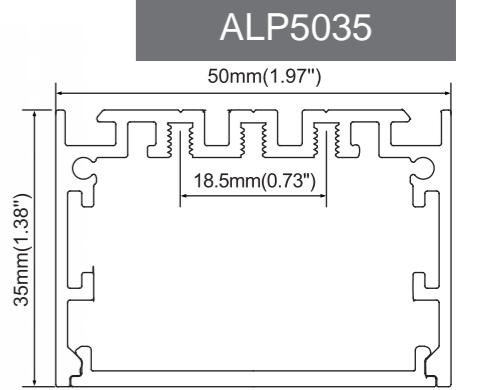
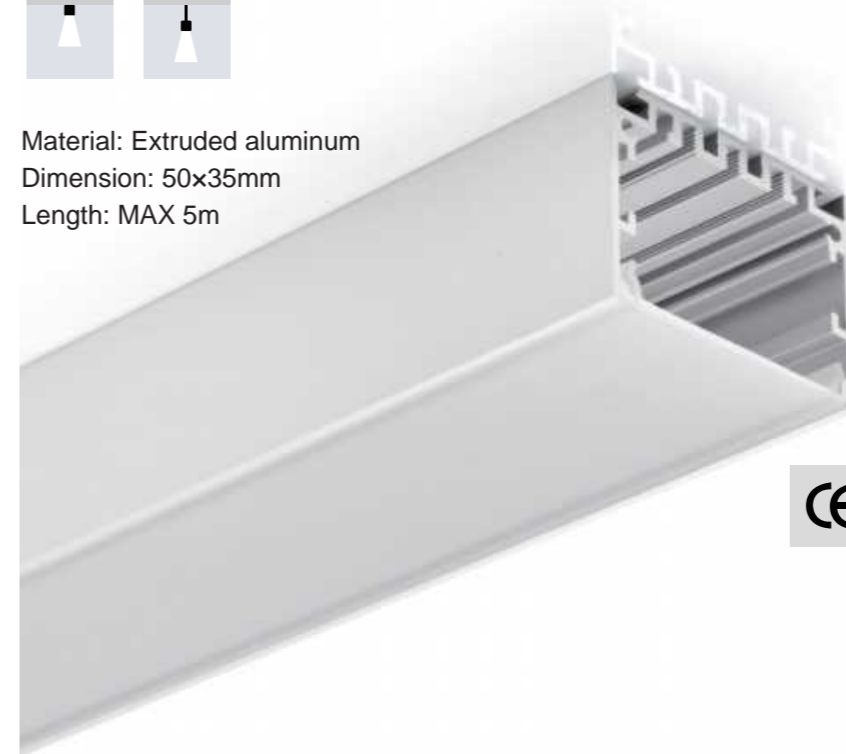


Connector IL

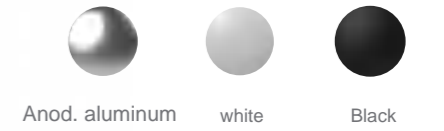
Types of installation:



Material: Extruded aluminum
Dimension: 50x35mm
Length: MAX 5m



FINISH



END CAPS



Aluminium end cap without hole

DIFFUSERS



PC frosted cover

ACCESSORIES



Mounting clip (metal)



Steel wire



Connector T



Connector X



Connector L



Connector IL



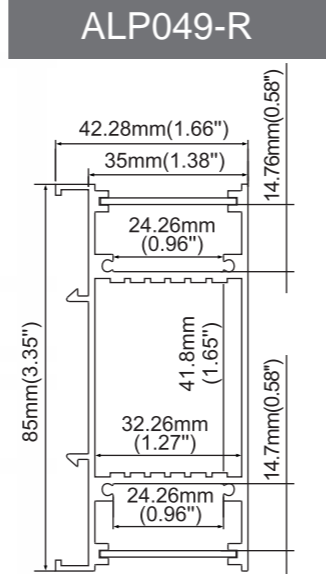
LED Module:
2835LED 28W/1.2M



Types of installation:



Material: Extruded aluminum
Dimension: 42.28x85mm
Length: MAX 5m



END CAPS



End Caps

FINISH



Anod. aluminum white Black

DIFFUSERS

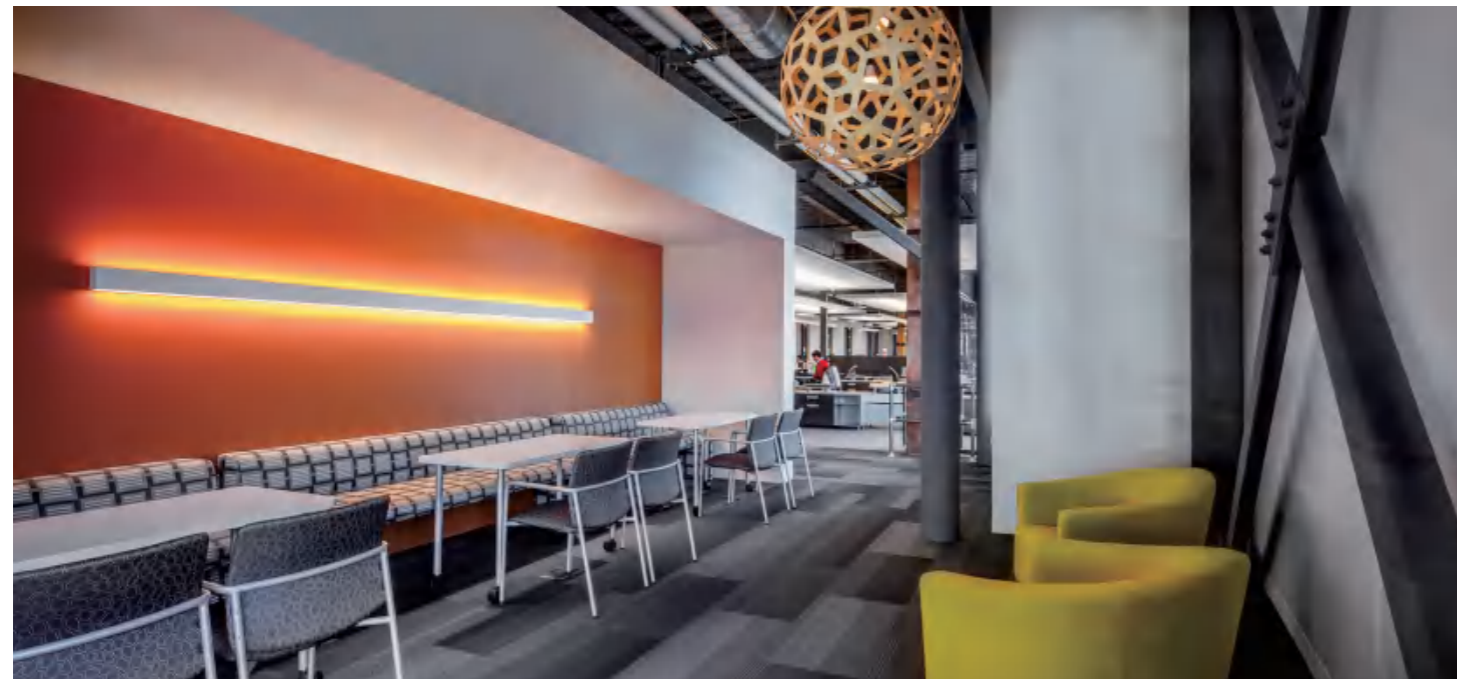


PC diffused cover

ACCESSORIES



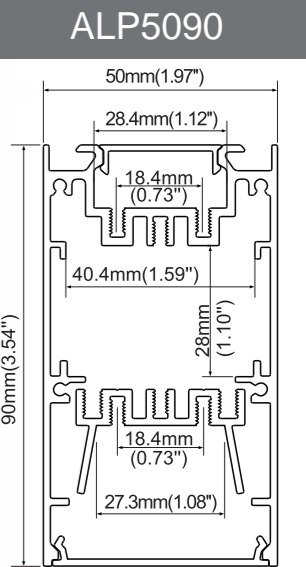
Mounting clip (metal)



Types of installation:



Material: Extruded aluminum
Dimension: 50x90mm
Length: MAX 5m



FINISH



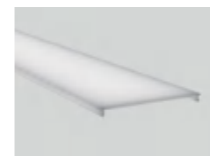
Anod. aluminum white Black

END CAPS



End Caps

DIFFUSERS



PC frosted cover



PC diffused cover



PMMA clear cover
Prismatic foil

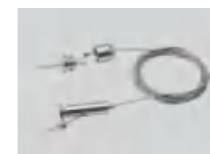
ACCESSORIES



Internal clip



Mounting clip (metal)



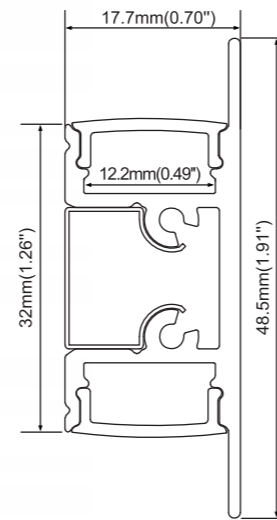
Steel wire



LED Module 2835LED
28W/1.2M



ALP050



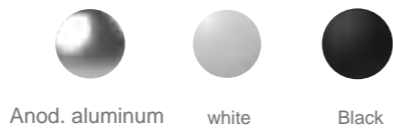
Types of installation:



Material: Extruded aluminum
Dimension: 17.7×48.5mm
Length: MAX 5m



FINISH



END CAPS



End cap with hole
End cap without hole

DIFFUSERS



PC semi clear cover

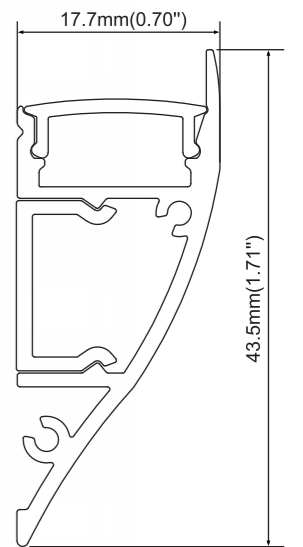
ACCESSORIES



Mounting clip (metal)



ALP062



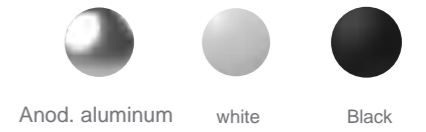
Types of installation:



Material: Extruded aluminum
Dimension: 17.7×43.5mm
Length: MAX 5m



FINISH



END CAPS



End Caps

DIFFUSERS



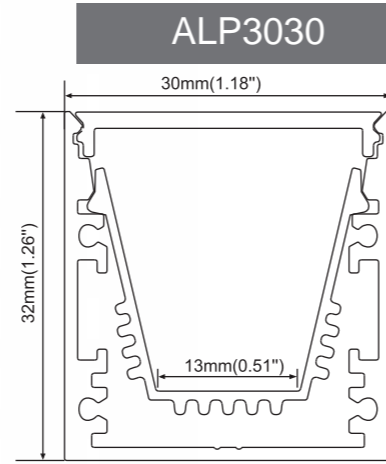
PC semi clear cover



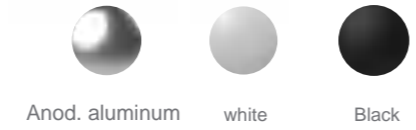
Types of installation:



Material: Extruded aluminum
Dimension: 30x32mm
Length: MAX 5m



FINISH



END CAPS



End Caps

DIFFUSERS



PC frosted cover

ACCESSORIES



Steel wire



180° Connector



90° Horizontal connector

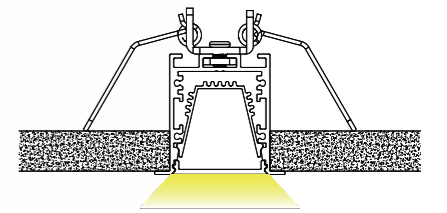
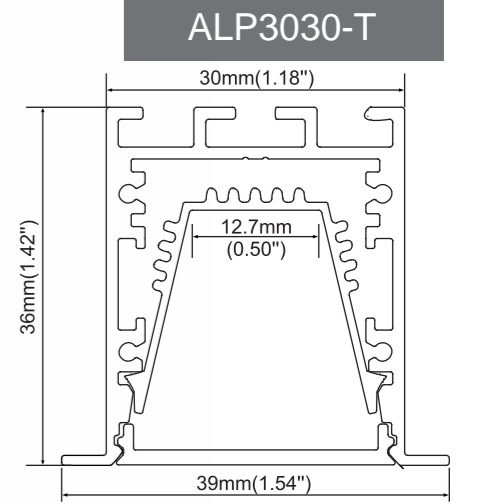
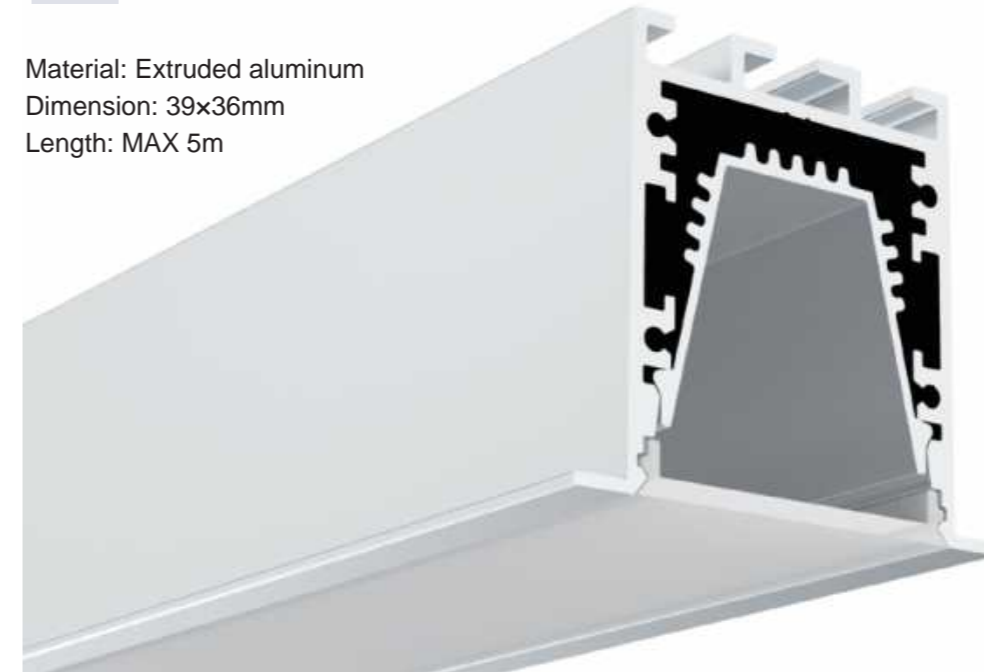


90° Vertical connector

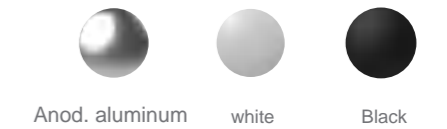
Types of installation:



Material: Extruded aluminum
Dimension: 39x36mm
Length: MAX 5m



FINISH



END CAPS



End Caps

DIFFUSERS



PC frosted cover

ACCESSORIES



Spring clip



90° Horizontal connector



180° Connector

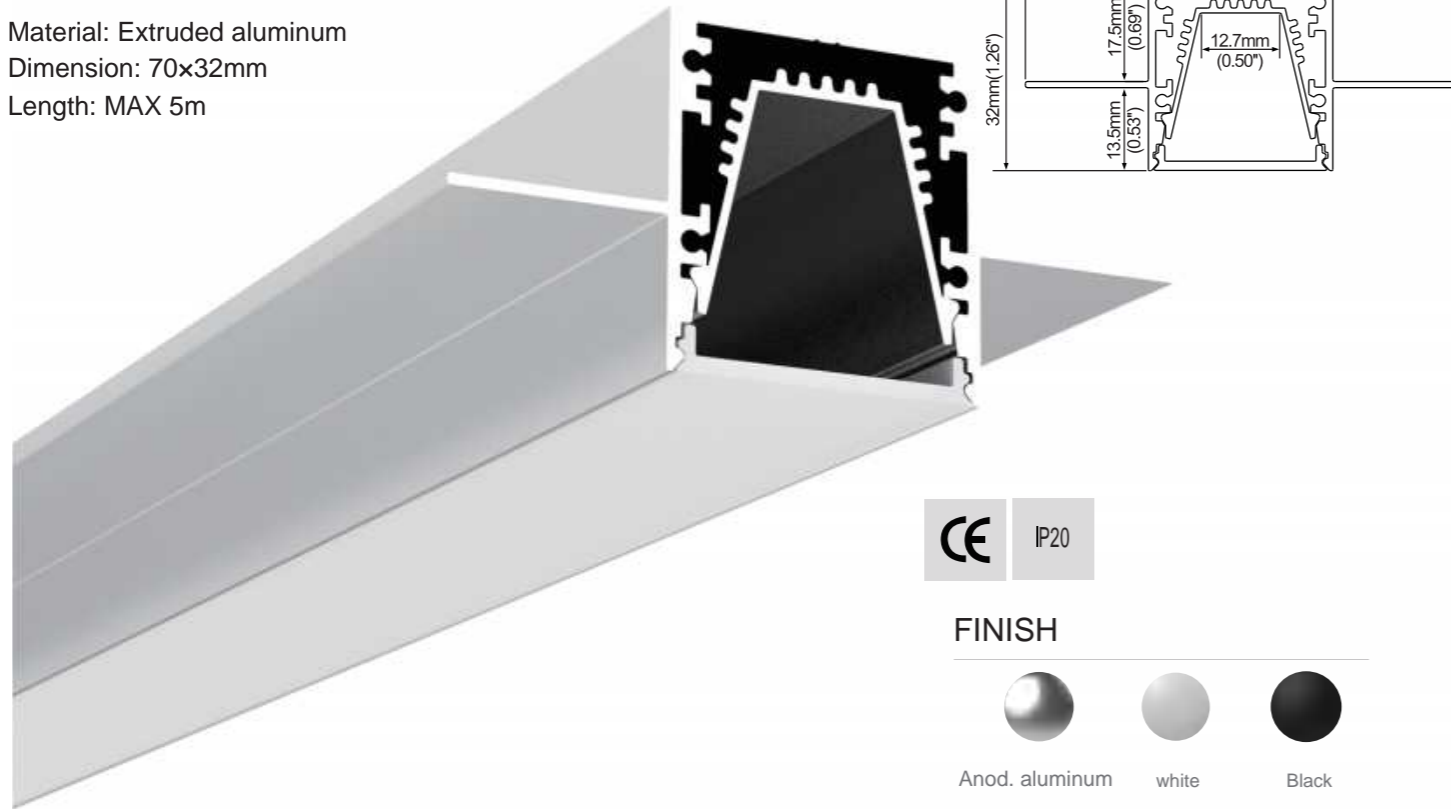


90° Vertical connector

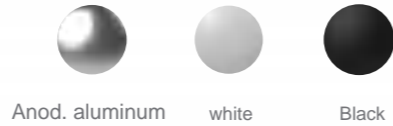
Types of installation:



Material: Extruded aluminum
Dimension: 70x32mm
Length: MAX 5m



FINISH



END CAPS



End Caps

DIFFUSERS



PC frosted cover

ACCESSORIES



90° Horizontal connector



180° Connector

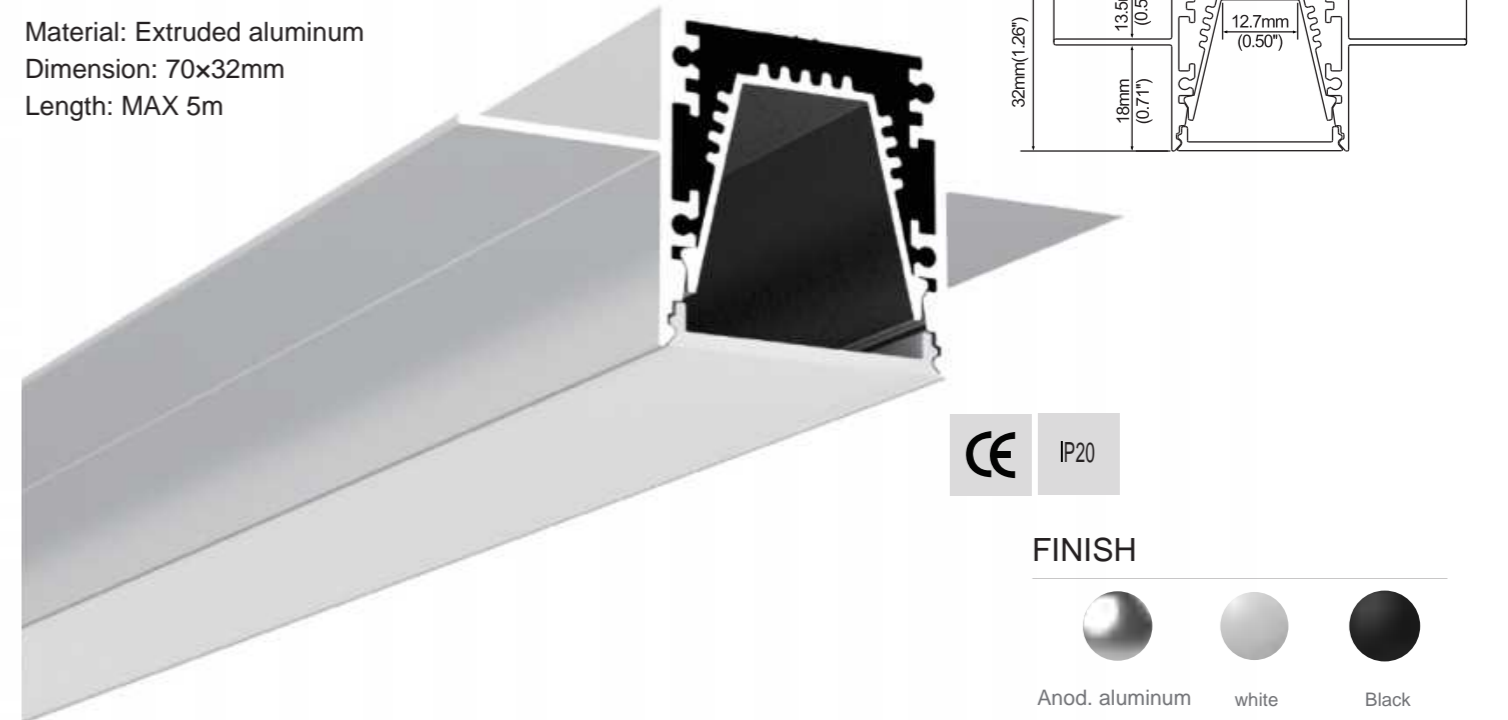


90° Vertical connector

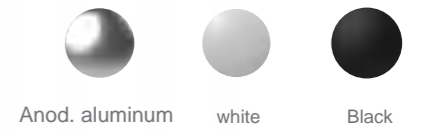
Types of installation:



Material: Extruded aluminum
Dimension: 70x32mm
Length: MAX 5m



FINISH



END CAPS



End Caps

DIFFUSERS



PC frosted cover

ACCESSORIES



90° Horizontal connector



180° Connector

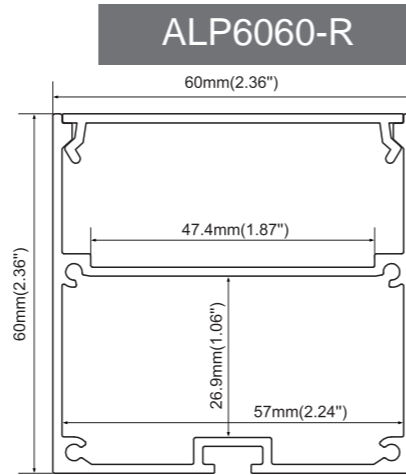


90° Vertical connector

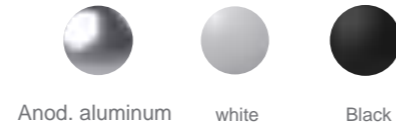
Types of installation:



Material: Extruded aluminum
Dimension: 60x60mm
Length: MAX 5m



FINISH



END CAPS



End Caps

DIFFUSERS



PC frosted cover

ACCESSORIES

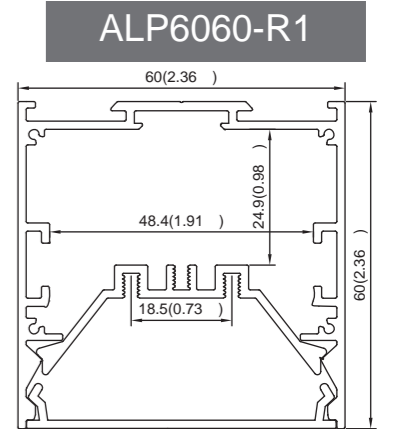


Steel wire

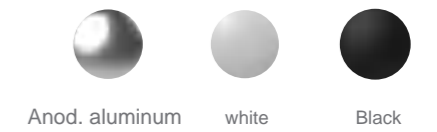
Types of installation:



Material: Extruded aluminum
Dimension: 60x60mm
Length: MAX 5m



FINISH



END CAPS



End Caps

DIFFUSERS



PC frosted cover

ACCESSORIES



Mounting clip (metal)



90° Connector L



Steel wire



90° Connector IL



180° Connector

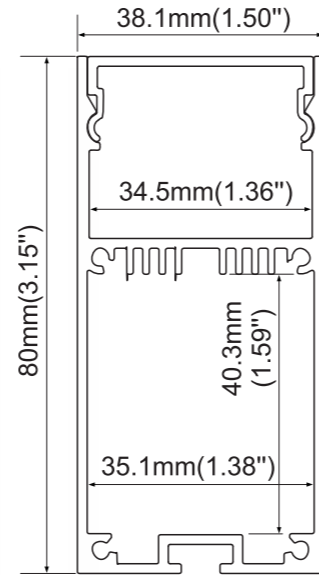
Types of installation:



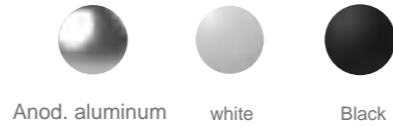
Material: Extruded aluminum
Dimension: 38.1x80mm
Length: MAX 5m



ALP3880



FINISH



END CAPS



End Caps

DIFFUSERS



PC frosted cover

ACCESSORIES

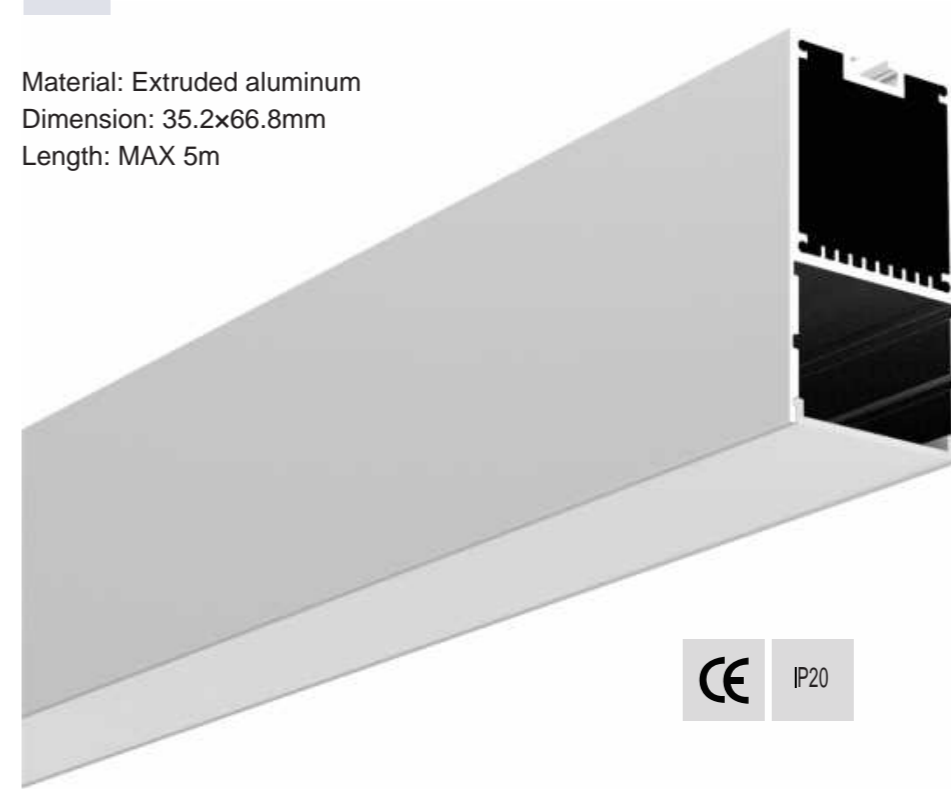


Steel wire

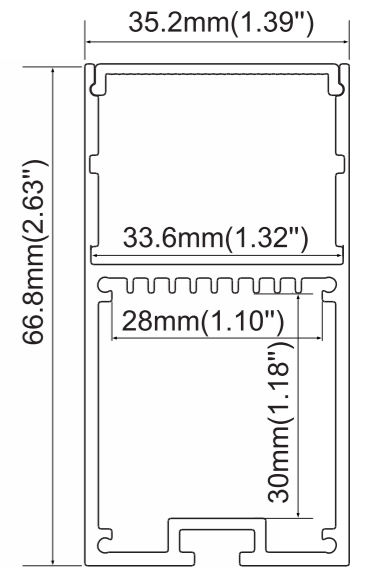
Types of installation:



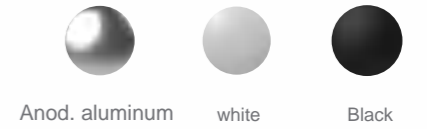
Material: Extruded aluminum
Dimension: 35.2x66.8mm
Length: MAX 5m



ALP051



FINISH



END CAPS



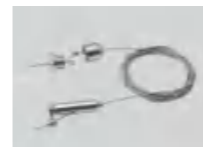
End Caps

DIFFUSERS



PMMA opal matte cover
PMMA semi-clear cover
PC diffused cover

ACCESSORIES

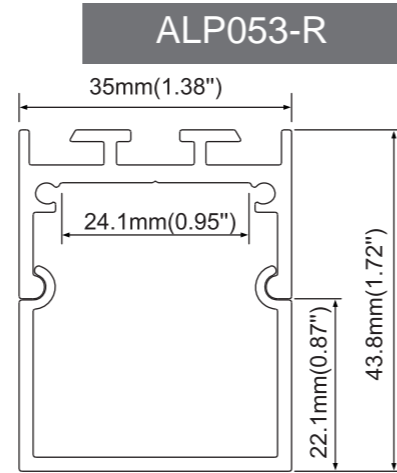


Steel wire

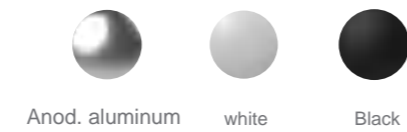
Types of installation:



Material: Extruded aluminum
Dimension: 35x43.8mm
Length: MAX 5m



FINISH



END CAPS



End Caps

DIFFUSERS



PC diffused cover
PC frosted cover

ACCESSORIES



Mounting clip (metal)

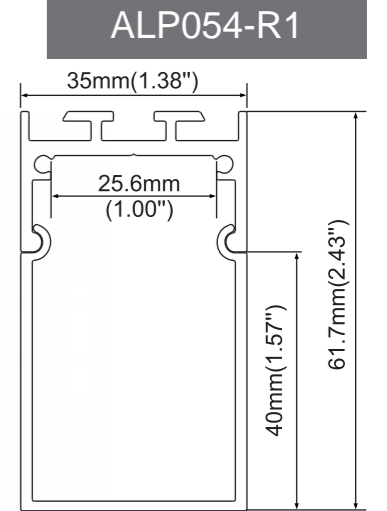


Steel wire

Types of installation:



Material: Extruded aluminum
Dimension: 35x61.7mm
Length: MAX 5m



FINISH



END CAPS



End Caps

DIFFUSERS



PC diffused cover

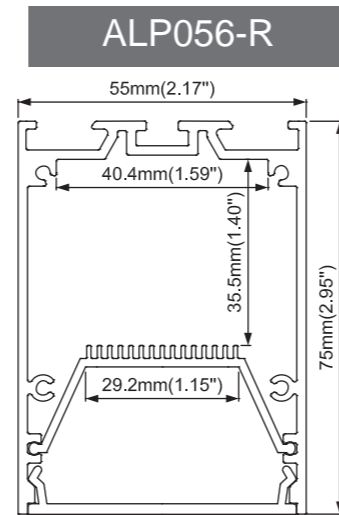
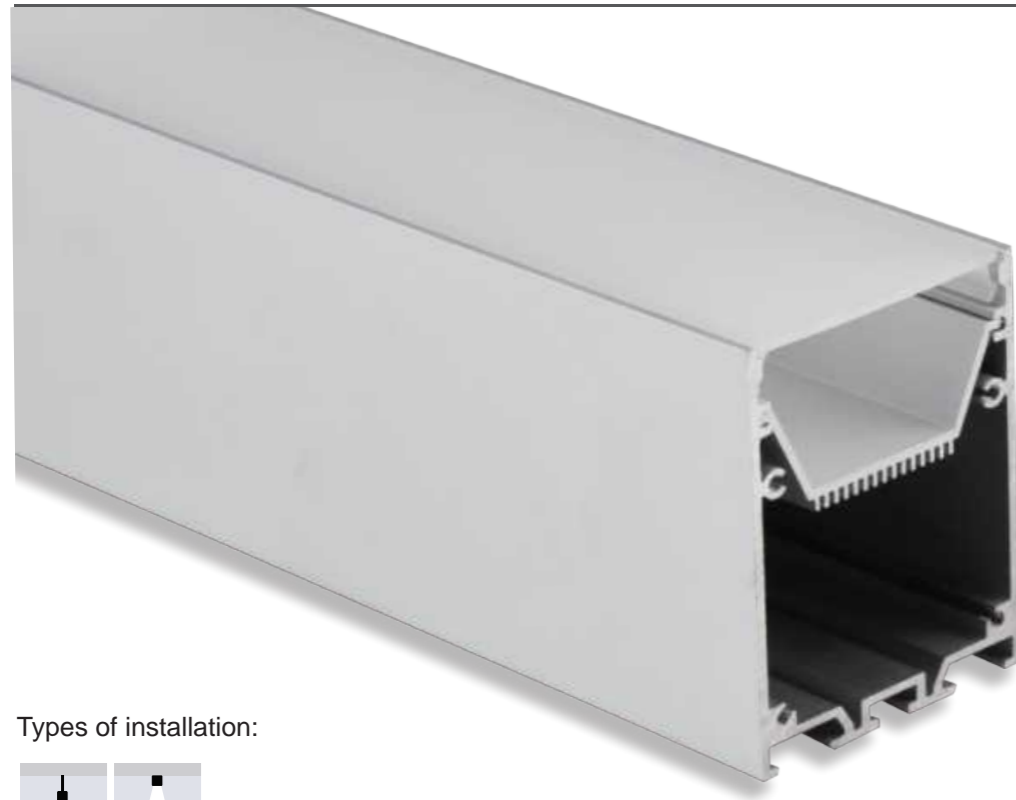
ACCESSORIES



Mounting clip (metal)



Steel wire



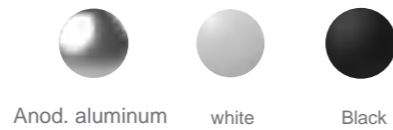
Types of installation:



Material: Extruded aluminum
Dimension: 55x75mm
Length: MAX 5m



FINISH



END CAPS



End Caps

DIFFUSERS



PC frosted cover

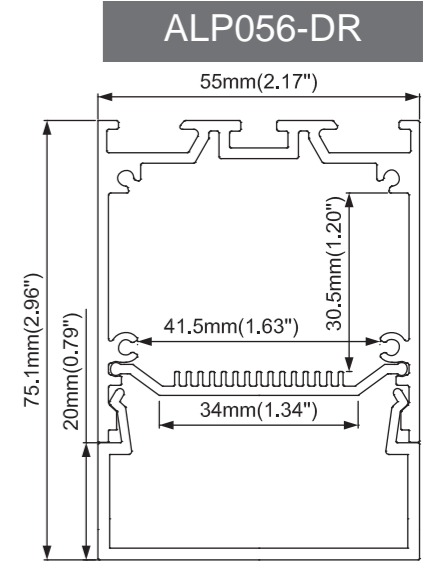
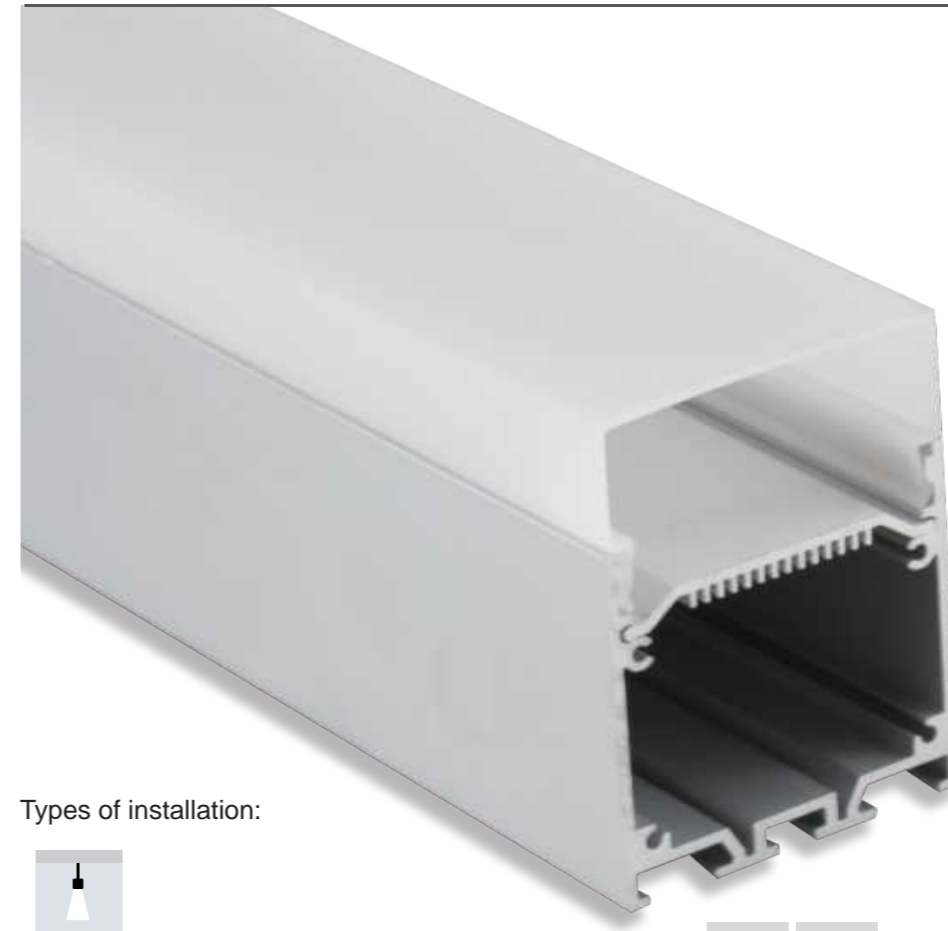
ACCESSORIES



Mounting clip (metal)



Steel wire



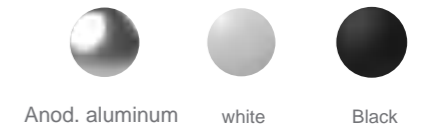
Types of installation:



Material: Extruded aluminum
Dimension: 55x75.1mm
Length: MAX 5m



FINISH



END CAPS



End Caps

DIFFUSERS



PC frosted cover

ACCESSORIES



Steel wire



Mounting clip (metal)



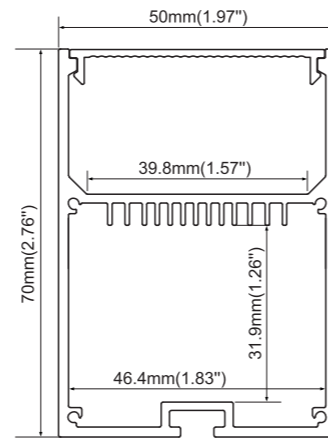
Types of installation:



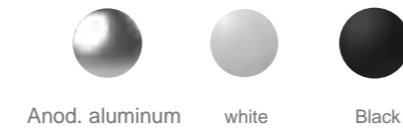
Material: Extruded aluminum
Dimension: 50x70mm
Length: MAX 5m



ALP052



FINISH



END CAPS



End Caps

DIFFUSERS



PC diffused cover
PC semi-clear cover

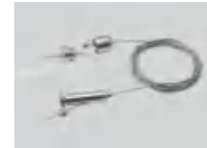
ACCESSORIES



90° Connector



180° Connector



Steel wire



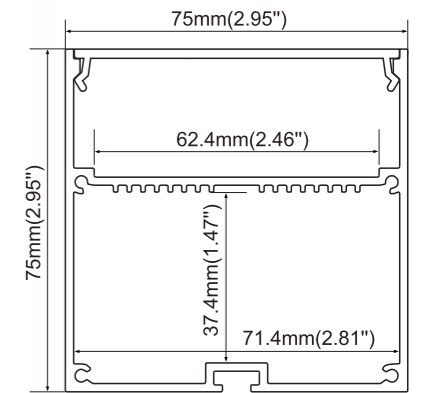
Types of installation:



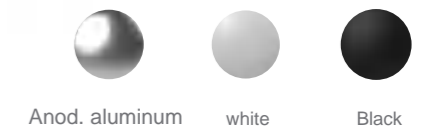
Material: Extruded aluminum
Dimension: 75x75mm
Length: MAX 5m



ALP057



FINISH



END CAPS



End Caps

DIFFUSERS



PC diffused cover

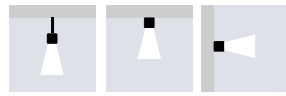
ACCESSORIES



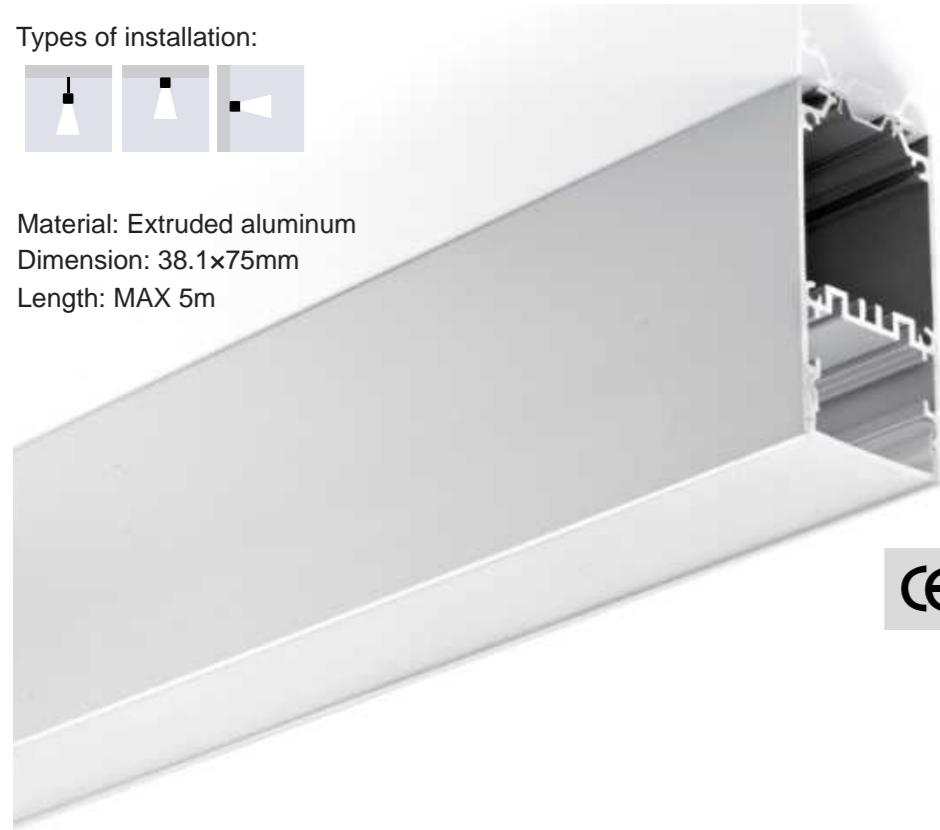
Steel wire



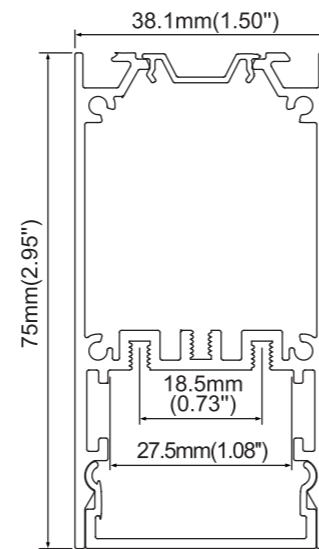
Types of installation:



Material: Extruded aluminum
Dimension: 38.1x75mm
Length: MAX 5m



ALP3875



FINISH



END CAPS



Aluminium end cap without hole

DIFFUSERS



PC frosted cover

ACCESSORIES



Steel wire



LED Module: 2835LED
28W/1.2M



Mounting clip (metal)



Connector T



Connector X

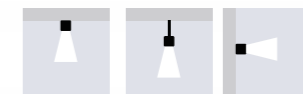


Connector L



Connector IL

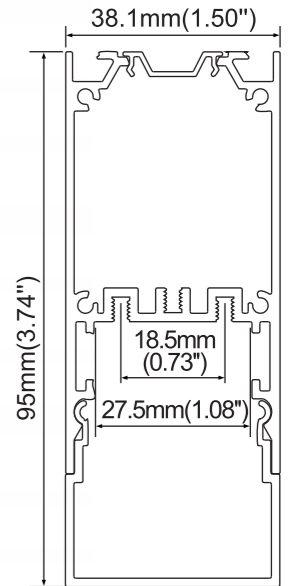
Types of installation:



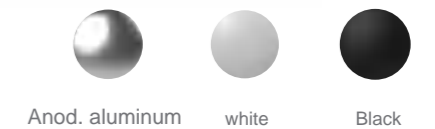
Material: Extruded aluminum
Dimension: 38.1x95mm
Length: MAX 6m



ALP3875-D



FINISH



END CAPS



Aluminium end cap without hole

DIFFUSERS



PC frosted cover

ACCESSORIES



Mounting clip (metal)



Steel wire

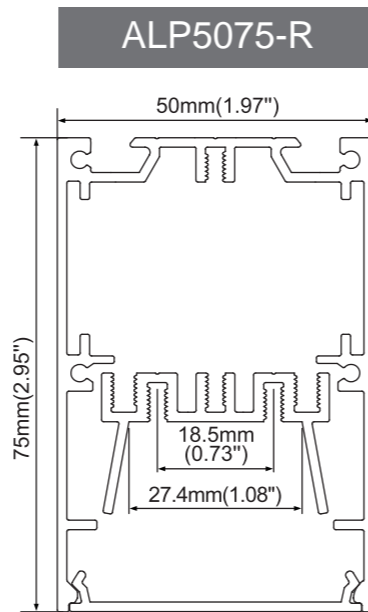
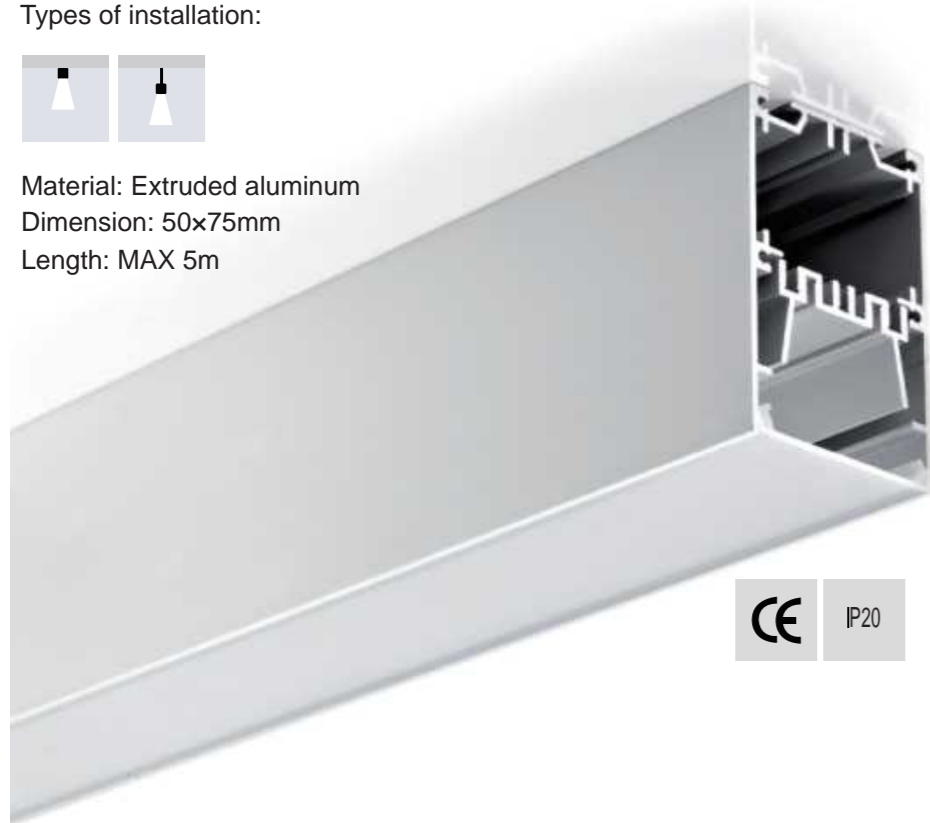


LED Module: 2835LED
28W/1.2M

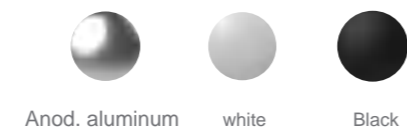
Types of installation:



Material: Extruded aluminum
Dimension: 50x75mm
Length: MAX 5m



FINISH



END CAPS



Aluminium end cap without hole

DIFFUSERS



PC frosted cover



Large lens



PMMA clear cover +Prismatic foil

ACCESSORIES



Steel wire



LED Module:2835LED 28W/1.2M



Trimless recessed clip



Mounting clip (metal)



Connector T



Internal Clip



Connector X



Connector L

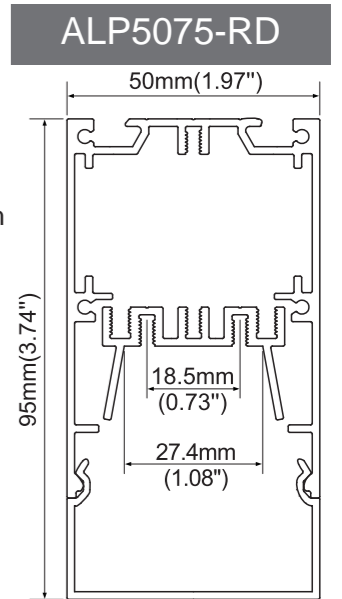
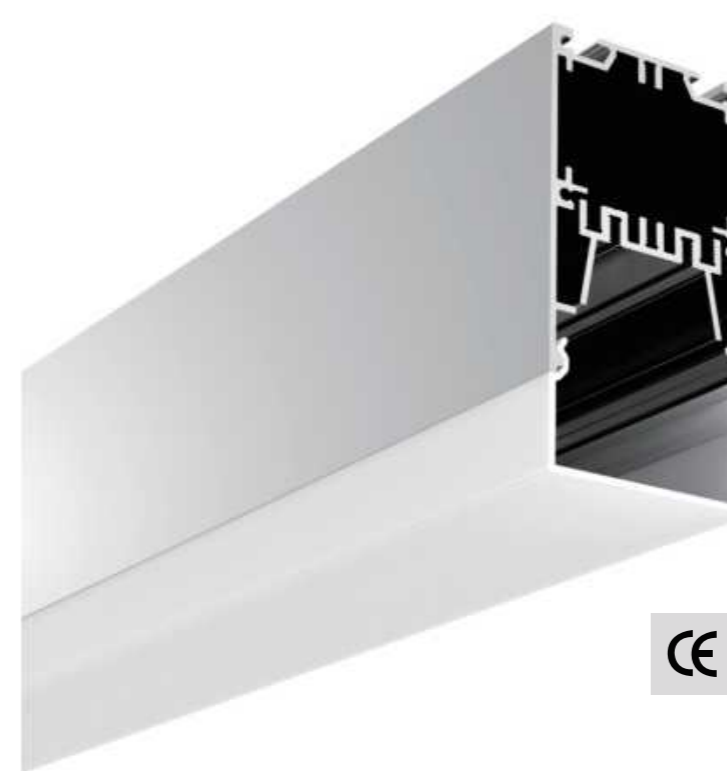


Connector IL

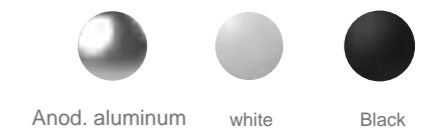
Types of installation:



Material: Extruded aluminum
Dimension: 50x95mm
Length: MAX 5m



FINISH



END CAPS



Aluminium end cap without hole

DIFFUSERS



PC frosted cover

ACCESSORIES



Mounting clip (metal)



Steel wire



Internal clip



LED Module:2835LED 28W/1.2M

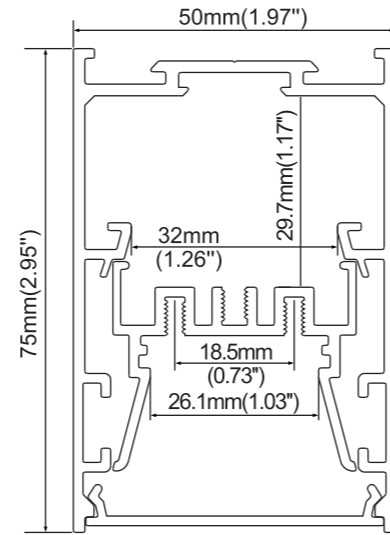
Types of installation:



Material: Extruded aluminum
Dimension: 50x75mm
Length: MAX 5m



ALP5075-R1



FINISH



Anod. aluminum white Black

END CAPS



Die cast end caps

DIFFUSERS



PC frosted cover



PMMA clear cover
+Prismatic foil

ACCESSORIES



Internal Clip



Outside clip



Safety wire



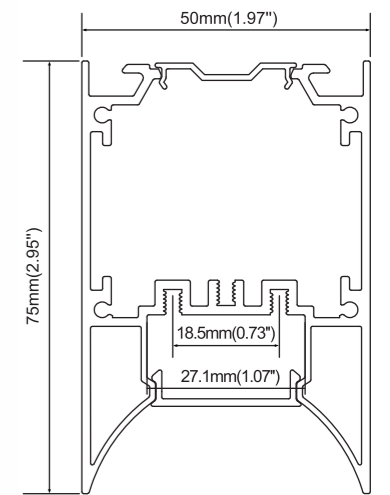
Types of installation:



Material: Extruded aluminum
Dimension: 50x75mm
Length: MAX 5m



ALP5075-C



FINISH



Anod. aluminum white Black

END CAPS



Aluminium end cap
without hole

DIFFUSERS



PC frosted cover

ACCESSORIES



Mounting clip
(metal)



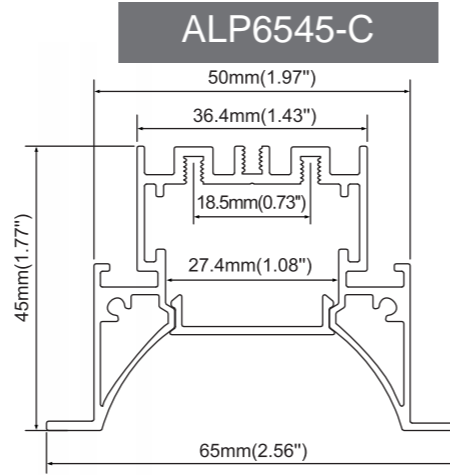
Steel wire



Types of installation:



Material: Extruded aluminum
Dimension: 65x45mm
Length: MAX 5m



FINISH



Anod. aluminum white Black

END CAPS



End Caps

DIFFUSERS



PC frosted cover

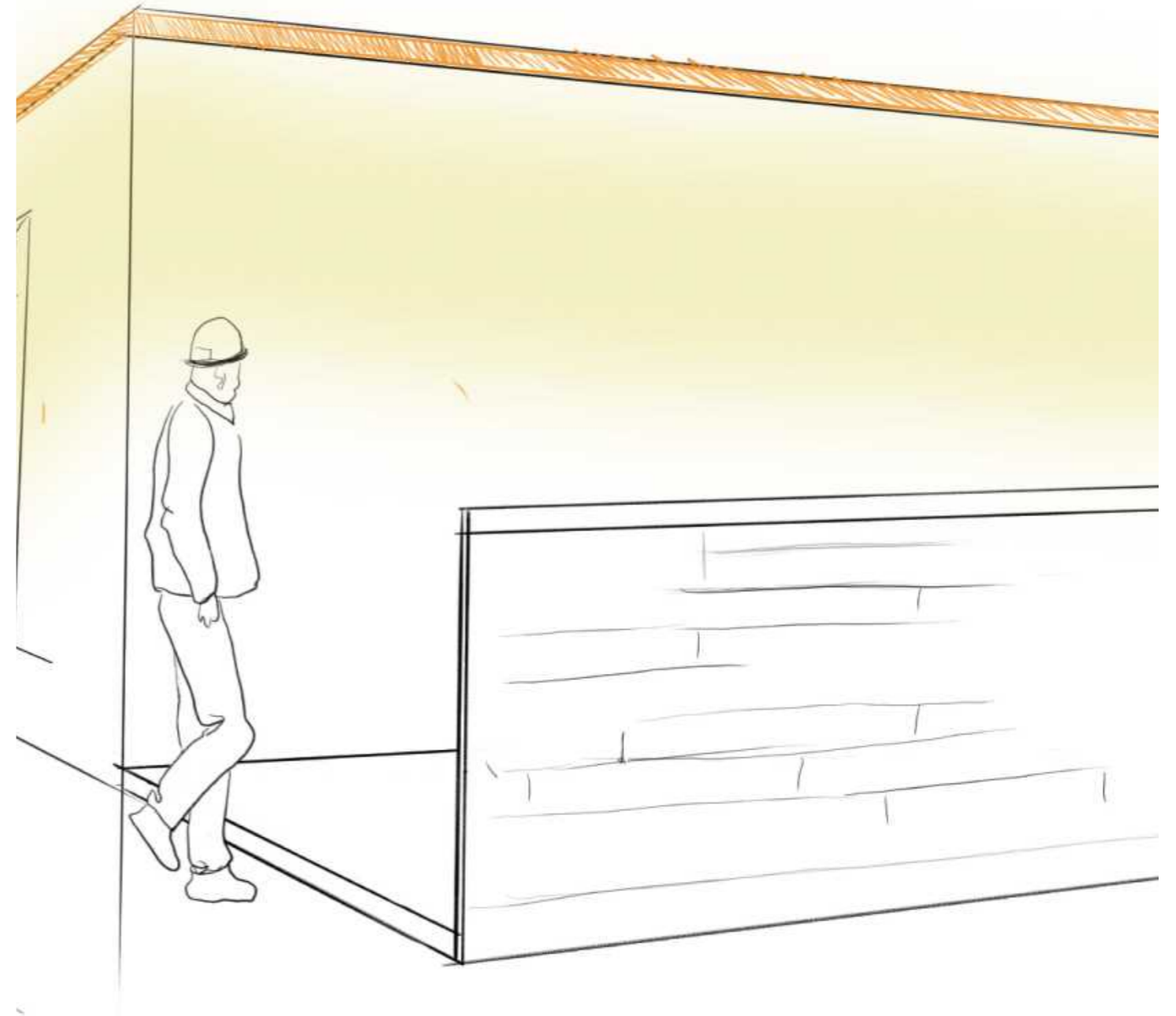
ACCESSORIES



Spring clip



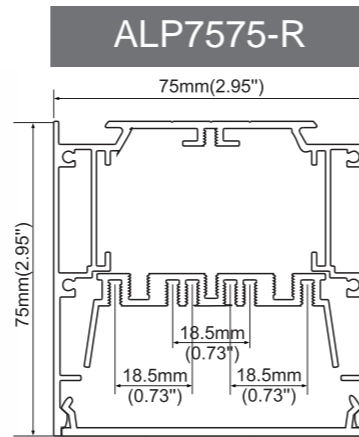
LED Module 2835LED
28W/1.2M



Types of installation:



Material: Extruded aluminum
Dimension: 75x75mm
Length: MAX 5m

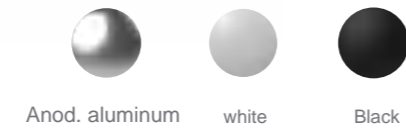


END CAPS



Aluminium end cap
without hole

FINISH



Anod. aluminum white Black

DIFFUSERS



PC frosted cover



PMMA clear cover
+Prismatic foil

ACCESSORIES



Mounting clip
(metal)



Internal Clip



Trimless recessed clip



Connector T



Connector X



Connector IL



Connector L



Steel wire

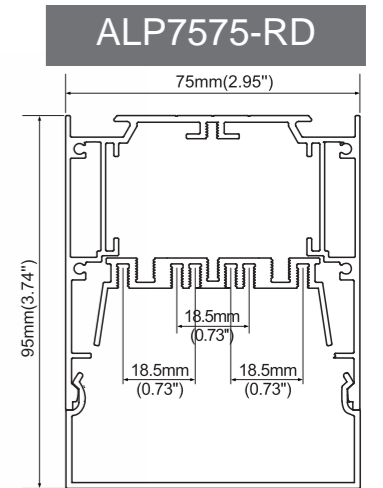
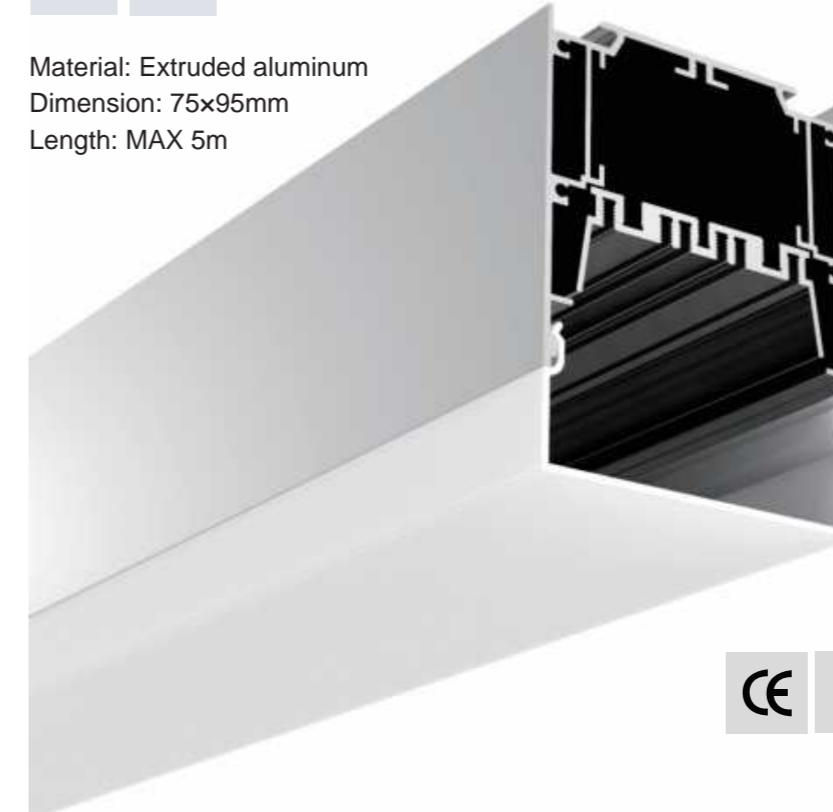


LED Module:2835LED
42W/1.2M

Types of installation:



Material: Extruded aluminum
Dimension: 75x95mm
Length: MAX 5m



END CAPS



Aluminium end cap

FINISH



Anod. aluminum white Black

DIFFUSERS



PC frosted cover

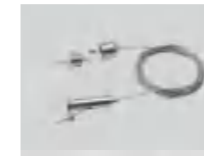
ACCESSORIES



Mounting clip (metal)



Internal Clip



Steel wire

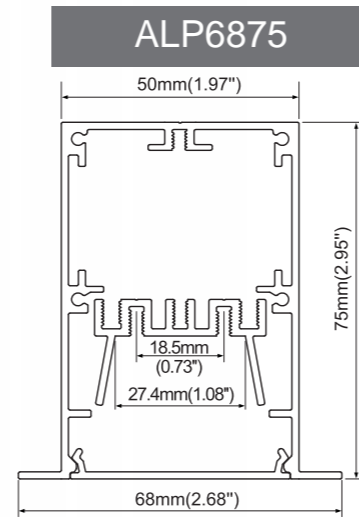
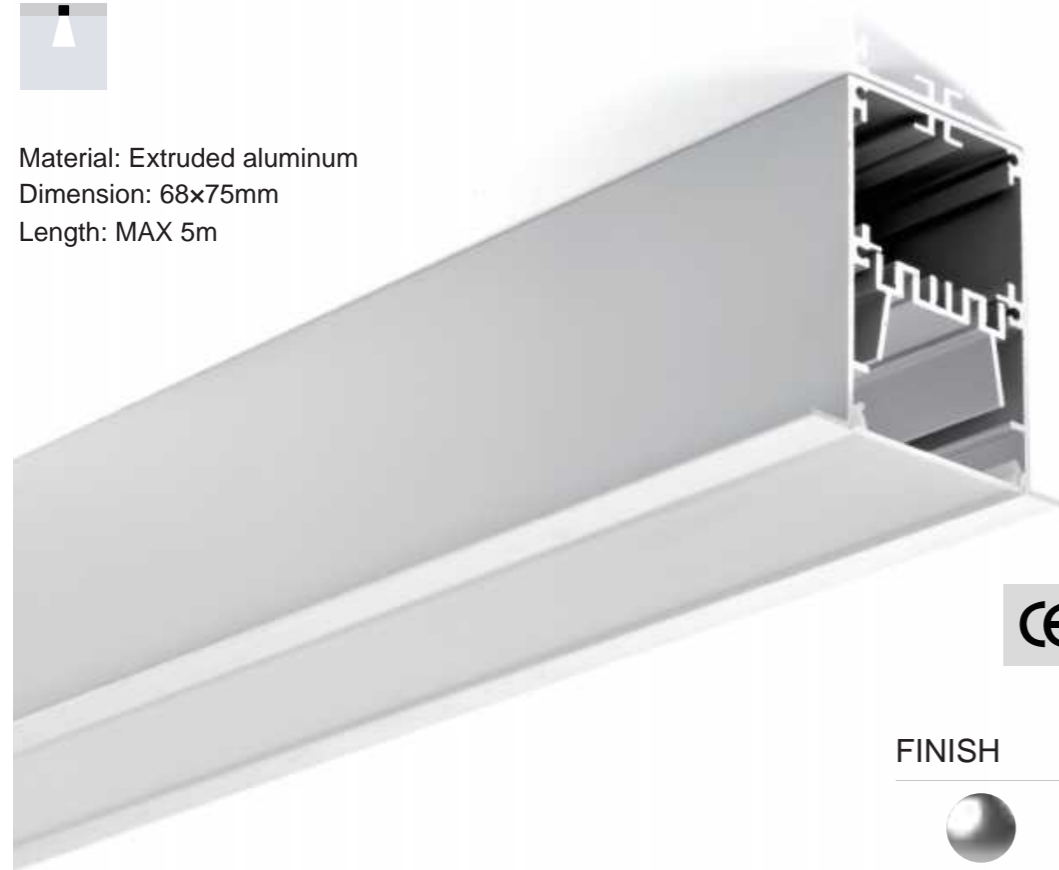


LED Module:2835LED
42W/1.2M

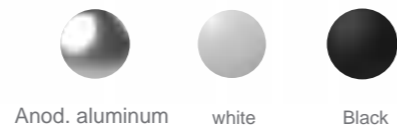
Types of installation:



Material: Extruded aluminum
Dimension: 68x75mm
Length: MAX 5m



FINISH



END CAPS



Aluminium end cap without hole

DIFFUSERS



PC frosted cover



PMMA clear cover +Prismatic foil

ACCESSORIES



Stainless Clip



Internal Clip



Connector L



Connector T



Connector X

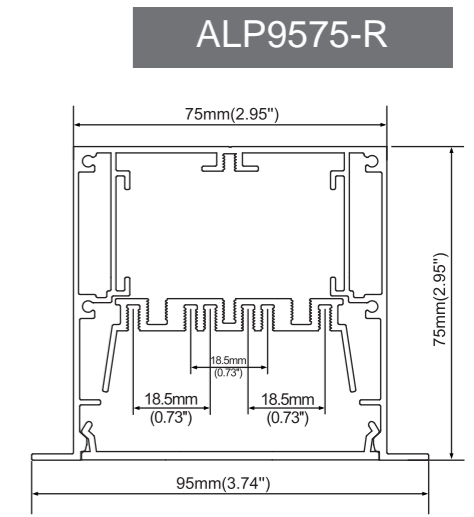


Connector IL

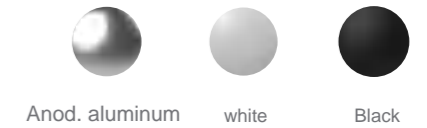
Types of installation:



Material: Extruded aluminum
Dimension: 95x75mm
Length: MAX 5m



FINISH



END CAPS



Aluminium end cap without hole

DIFFUSERS



PC frosted cover



PMMA clear cover +Prismatic foil

ACCESSORIES



Internal clip



Stainless Clip



Connector L



Connector IL



Connector T



Connector X



LED Module 2835LED
42W/1.2M

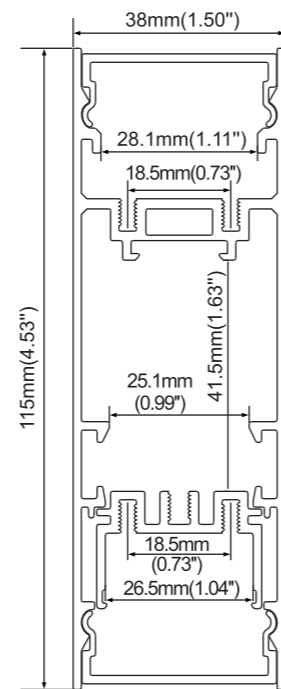


Types of installation:

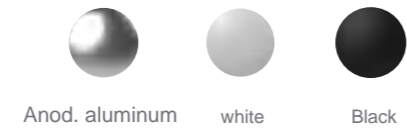


Material: Extruded aluminum
Dimension: 38x115mm
Length: MAX 5m

ALP38115



FINISH



END CAPS



Die cast end caps

DIFFUSERS



PC frosted cover

ACCESSORIES



Hanging bracket



Internal Clip



Wall clip



Steel wire



Safety wire

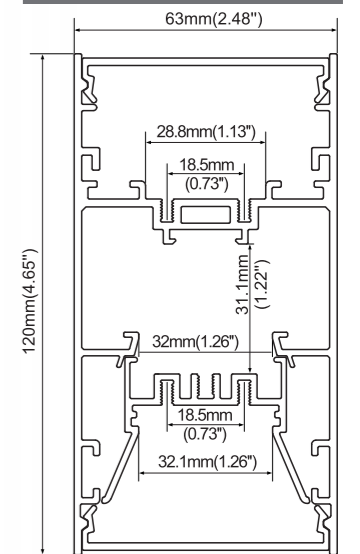


Types of installation:

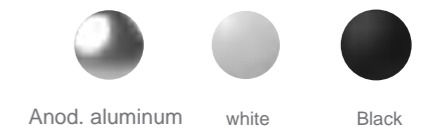


Material: Extruded aluminum
Dimension: 63x120mm
Length: MAX 5m

ALP63120



FINISH



END CAPS



Die cast end caps

DIFFUSERS



PC frosted cover

ACCESSORIES



Wall clip



Internal Clip



Hanging bracket



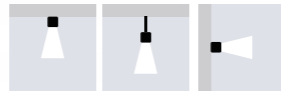
Safety wire



Steel wire

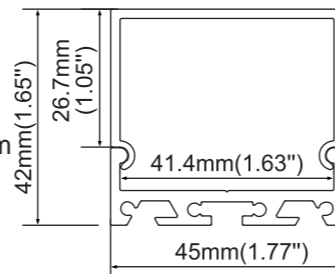


Types of installation:



Material: Extruded aluminum
Dimension: 45x42mm
Length: MAX 5m

ALP065



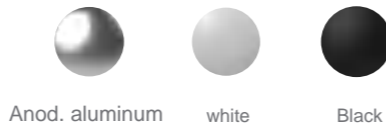
END CAPS



End Caps



FINISH

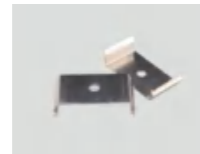


DIFFUSERS

ACCESSORIES



PMMA opal matte
PMA semi-clear
PC diffused cover



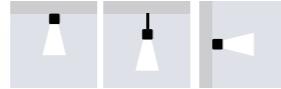
Mounting clip
(metal)



Steel wire

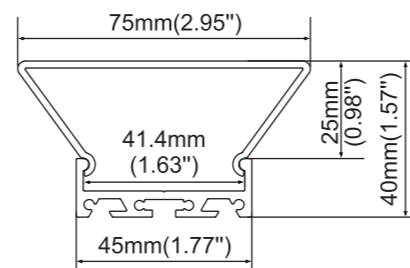


Types of installation:

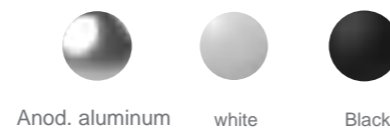


Material: Extruded aluminum
Dimension: 75x40mm
Length: MAX 5m

ALP065-T



FINISH



END CAPS



End Caps

DIFFUSERS

ACCESSORIES



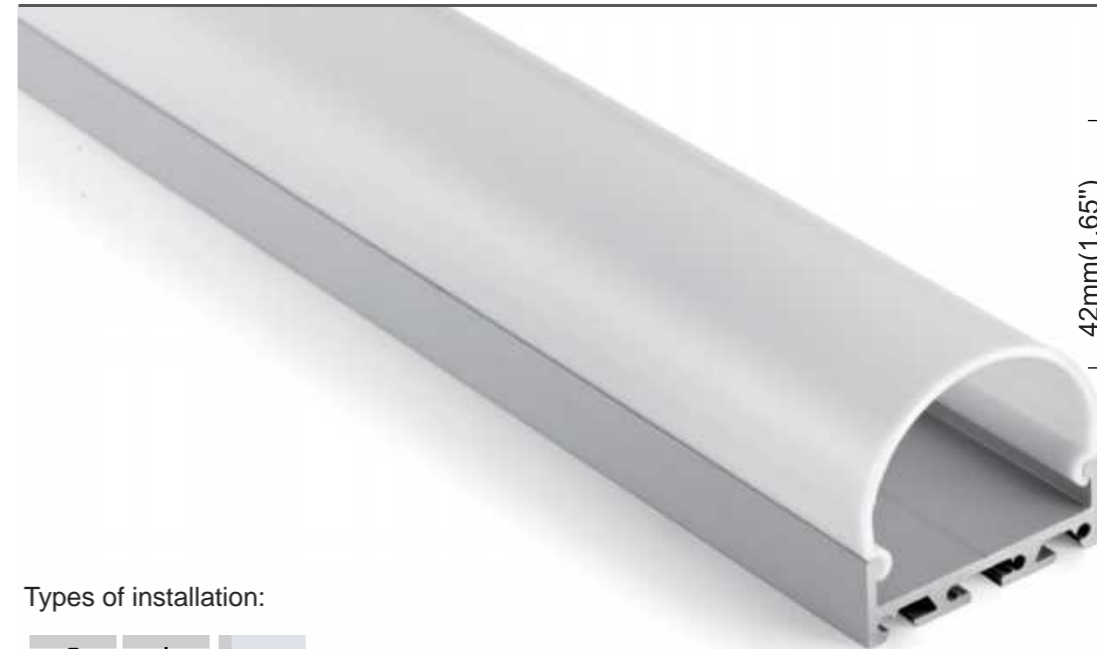
PC diffused cover



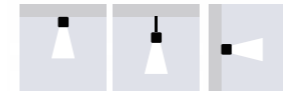
Mounting clip
(metal)



Steel wire

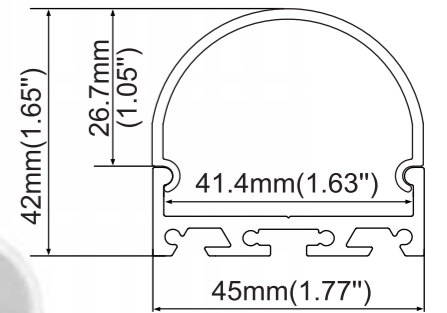


Types of installation:

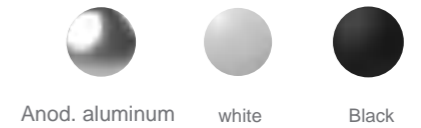


Material: Extruded aluminum
Dimension: 45x42mm
Length: MAX 5m

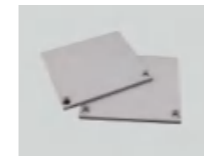
ALP066



FINISH



END CAPS



End Caps

DIFFUSERS

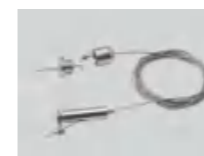


PMMA opal matte cover
PMA semi-clear cover
PC diffused cover

ACCESSORIES



Mounting clip (metal)



Steel wire

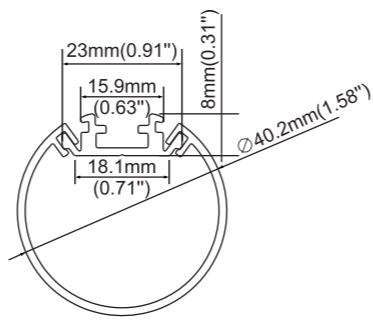


Types of installation:



Material: Extruded aluminum
Dimension: $\phi 40.2\text{mm}$
Length: MAX 5m

T40



END CAPS



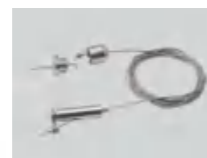
End Caps

DIFFUSERS



PC frosted cover

ACCESSORIES



Steel wire



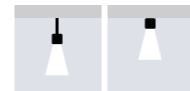
Mounting clip (metal)

FINISH



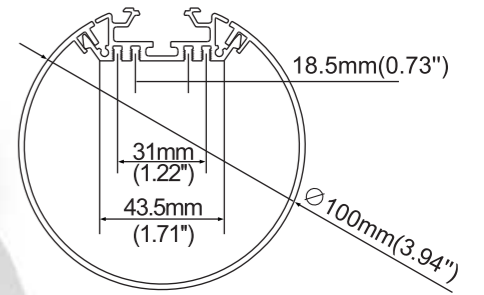
Anod. aluminum white Black

Types of installation:



Material: Extruded aluminum
Dimension: $\phi 100\text{mm}$
Length: MAX 5m

T100



FINISH



Anod. aluminum white Black

END CAPS



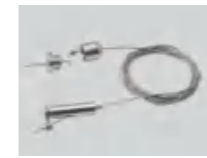
End Caps

DIFFUSERS



PC frosted cover

ACCESSORIES



Steel wire



Mounting clip (metal)

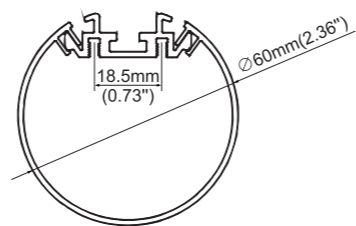


Types of installation:



Material: Extruded aluminum
Dimension: $\phi 60\text{mm}$
Length: MAX 5m

T60



END CAPS



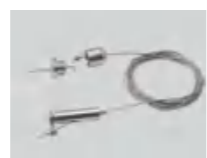
End Caps

DIFFUSERS



PC frosted cover

ACCESSORIES



Steel wire



Mounting clip (metal)

FINISH



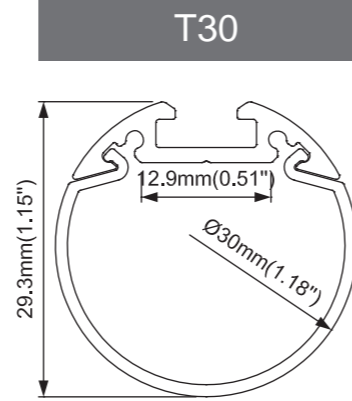
Anod. aluminum white Black



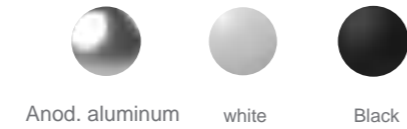
Types of installation:



Material: Extruded aluminum
Dimension: $\phi 30\text{mm}$
Length: MAX 5m



FINISH



END CAPS



End Caps

DIFFUSERS



PC frosted cover

ACCESSORIES



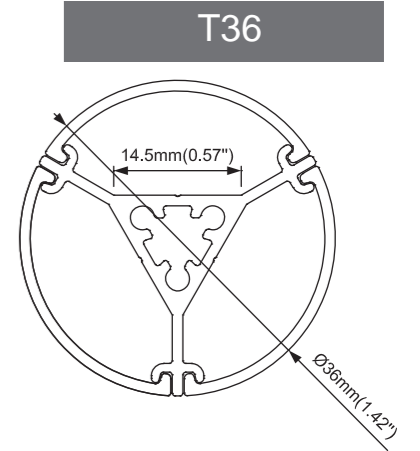
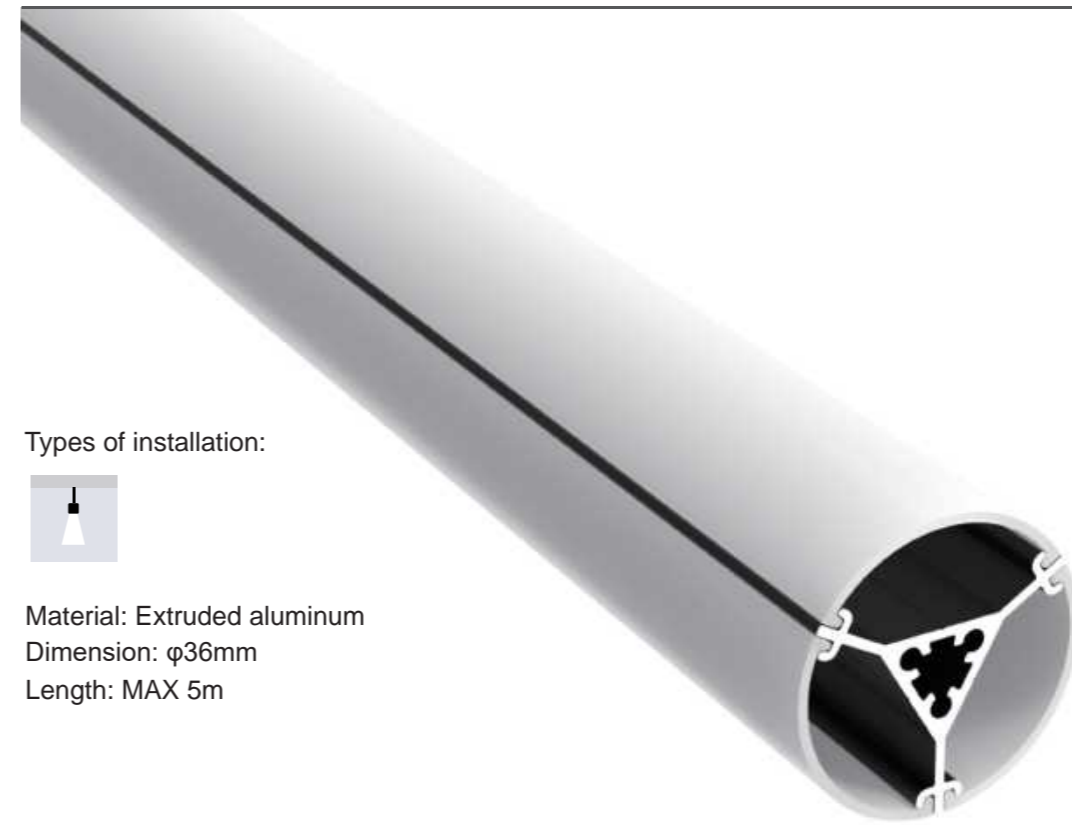
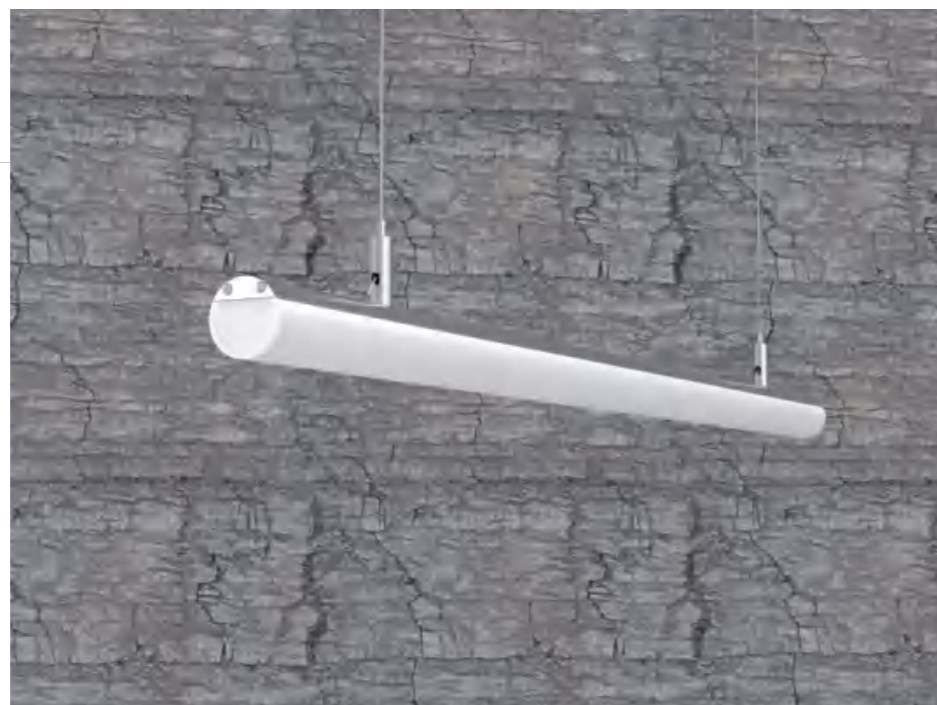
Steel wire



Metal clip



Surface mounting kit



Types of installation:



Material: Extruded aluminum
Dimension: $\phi 36\text{mm}$
Length: MAX 5m

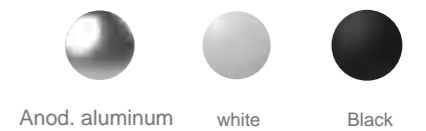
END CAPS



End cap



FINISH



DIFFUSERS

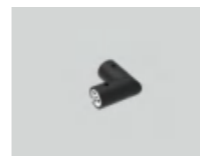


PC diffused cover



Black PC frosted cover

ACCESSORIES



90° Connector



180° Connector



Connector X



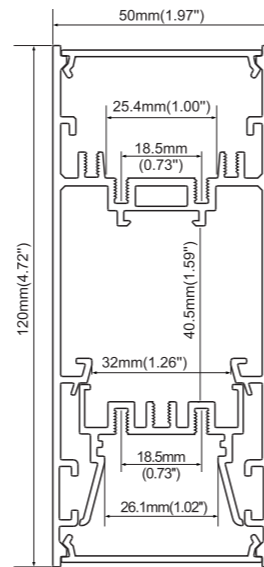


Types of installation:



Material: Extruded aluminum
Dimension: 50x120mm
Length: MAX 5m

ALP50120



FINISH



Anod. aluminum white Black

END CAPS



Die cast end caps

DIFFUSERS



PC frosted cover

ACCESSORIES



Internal Clip



Wall clip



Hanging bracket



Steel wire



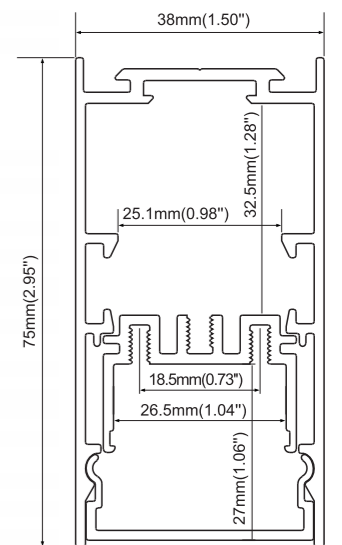
Safety wire

Types of installation:



Material: Extruded aluminum
Dimension: 38x75mm
Length: MAX 5m

ALP3875-R



FINISH



Anod. aluminum white Black

END CAPS



Die cast end caps

DIFFUSERS



PC frosted cover

ACCESSORIES



Internal Clip



Steel wire



Outside clip



Safety wire

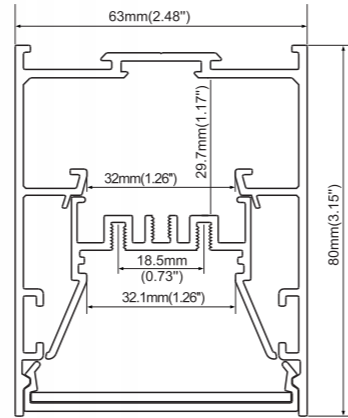
Types of installation:



Material: Extruded aluminum
Dimension: 63x80mm
Length: MAX 5m



ALP6380



FINISH



Anod. aluminum white Black

END CAPS



Die cast end caps

DIFFUSERS



PC frosted cover



PMMA clear cover
+Prismatic foil

ACCESSORIES



Outside clip



Steel wire



Internal Clip



Safety wire

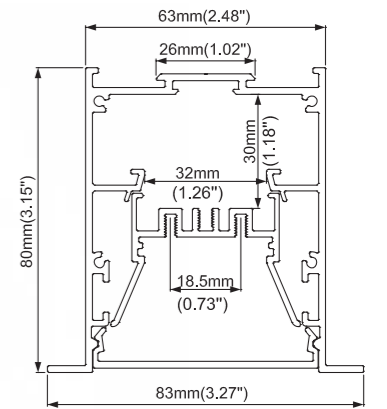
Types of installation:



Material: Extruded aluminum
Dimension: 83x80mm
Length: MAX 5m



ALP6380-T



FINISH



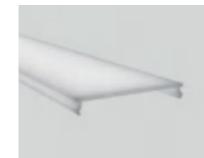
Anod. aluminum white Black

END CAPS



End Caps

DIFFUSERS



PC frosted cover

ACCESSORIES



Stainless clip

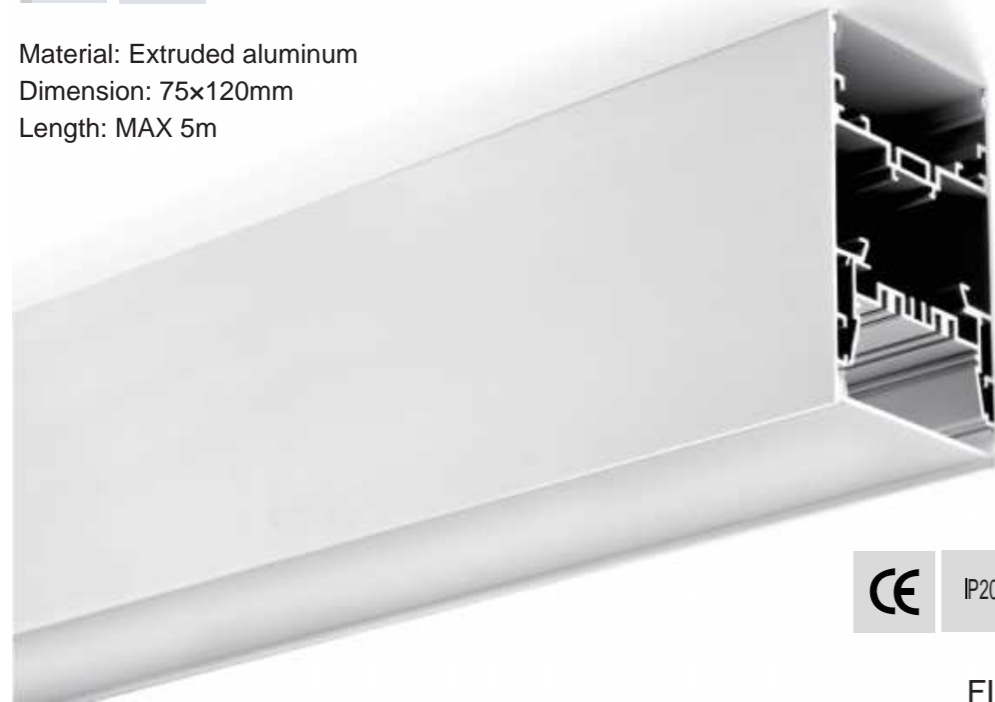


Internal Clip

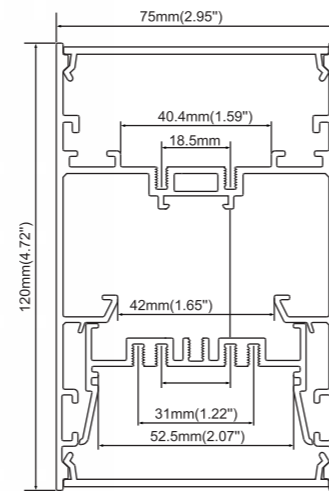
Types of installation:



Material: Extruded aluminum
Dimension: 75x120mm
Length: MAX 5m



ALP75120

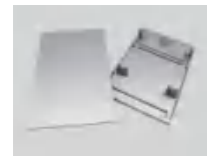


FINISH



Anod. aluminum white Black

END CAPS



Die cast end caps

DIFFUSERS

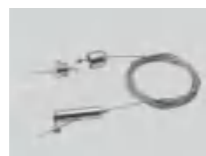


PC frosted cover

ACCESSORIES



Wall clip



Steel wire



Mounting clip (metal)



Safety wire

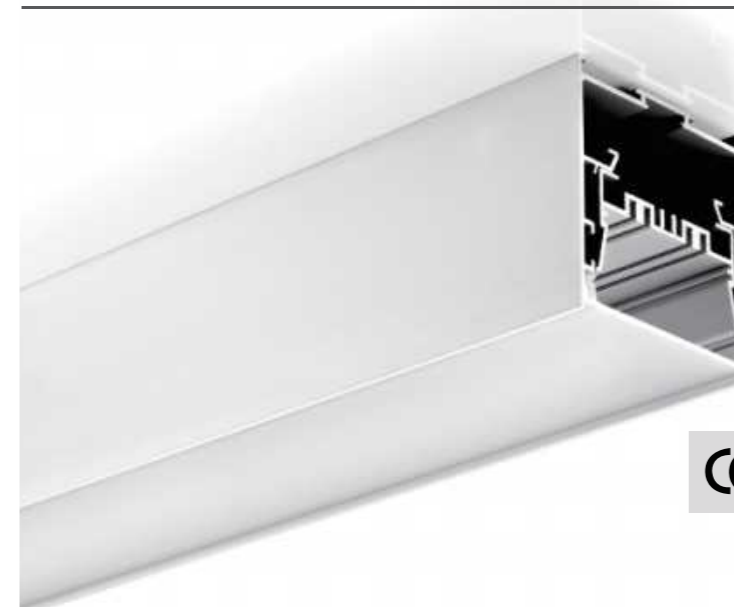


Hanging bracket

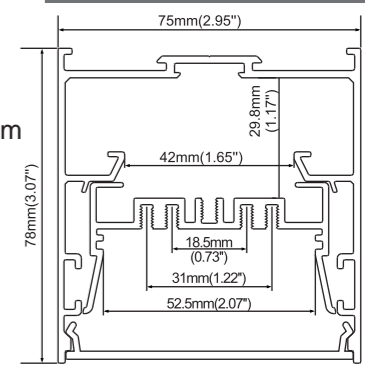
Types of installation:



Material: Extruded aluminum
Dimension: 75x78mm
Length: MAX 5m



ALP7578

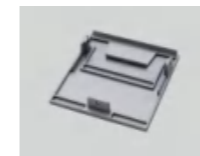


FINISH



Anod. aluminum white Black

END CAPS



Die cast end caps

DIFFUSERS



PC frosted cover



PMMA clear cover
+Prismatic foil

ACCESSORIES



Internal Clip



Outside clip

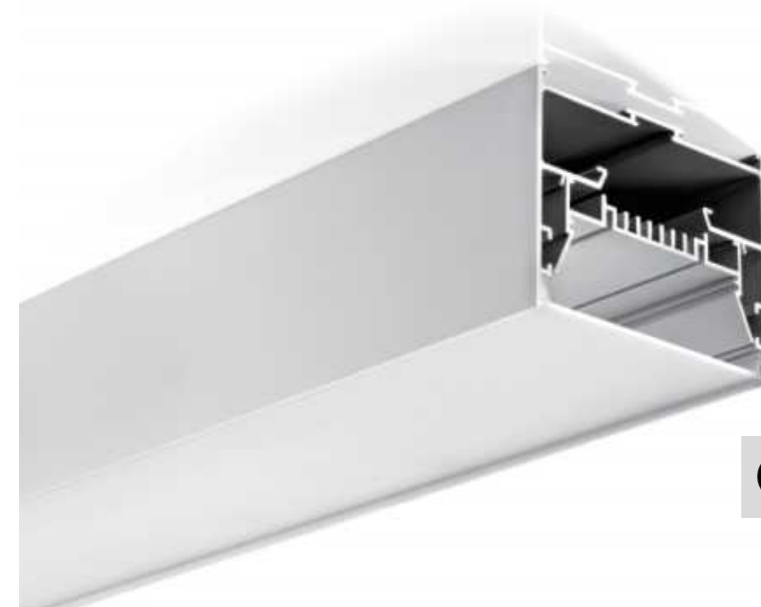


Steel wire



Safety wire

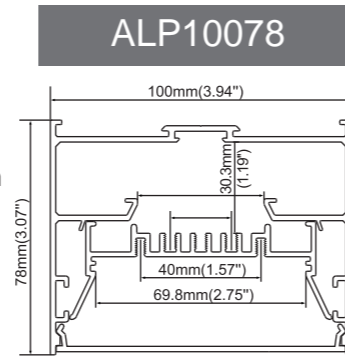




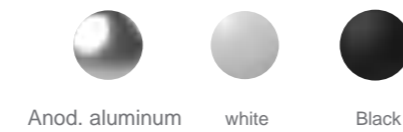
Types of installation:



Material: Extruded aluminum
Dimension: 100x78mm
Length: MAX 6m



FINISH



END CAPS



Die cast end caps

DIFFUSERS



PC frosted cover

ACCESSORIES



Internal Clip



Outside clip



Steel wire



Safety wire



ALP10078



- ① Aluminum profile
- ② Die cast end cap
- ③ Anti light leakage plate
- ④ Outer clip
- ⑤ Suspension kit
- ⑥ Heat sink
- ⑦ LED module
- ⑧ Inner clip with safety rope
- ⑨ Driver
- ⑩ PC frosted diffuser

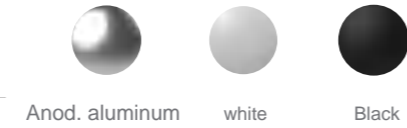
Types of installation:



Material: Extruded aluminum
Dimension: 100x120mm
Length: MAX 5m



FINISH



END CAPS



Die cast end caps

DIFFUSERS

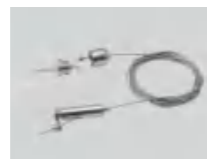


PC frosted cover

ACCESSORIES



Internal Clip



Steel wire



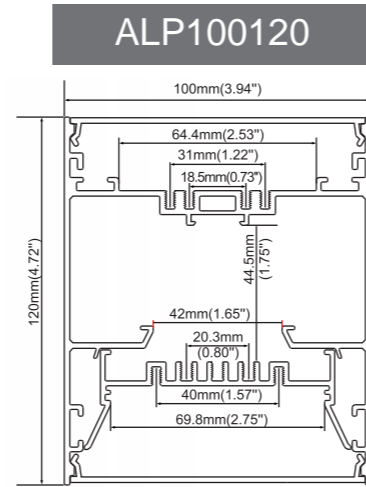
Hanging bracket



Safety wire



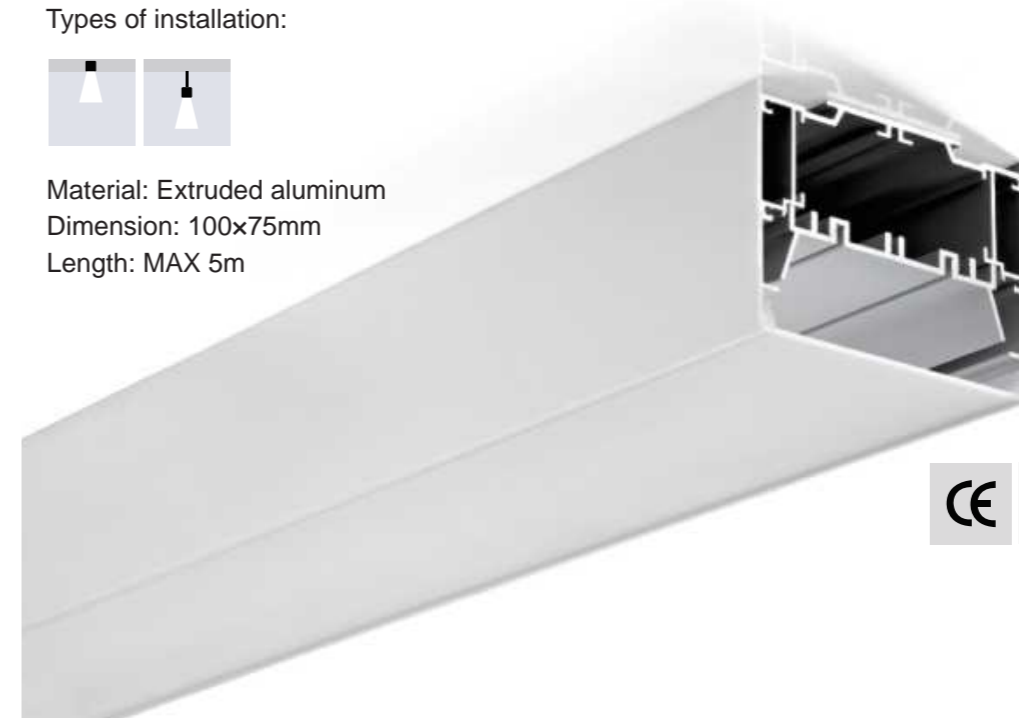
Wall clip



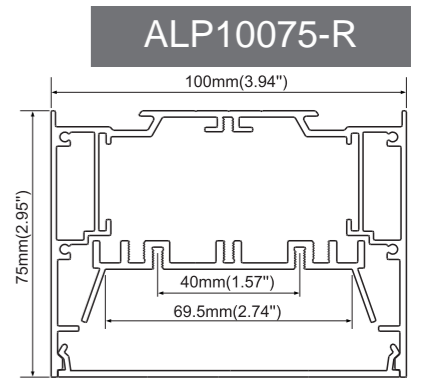
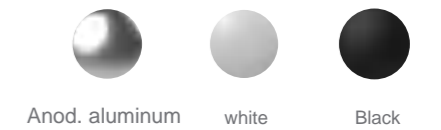
Types of installation:



Material: Extruded aluminum
Dimension: 100x75mm
Length: MAX 5m



FINISH



END CAPS



Aluminium end cap
without hole

DIFFUSERS



PC frosted cover
PMMA clear cover
Prismatic foil cover

ACCESSORIES



Mounting clip (metal)



Steel wire



Trimless recessed clip



LED Module 2835LED
54W/1.2M



Connector T



Connector X



Connector IL



Connector L



Internal Clip



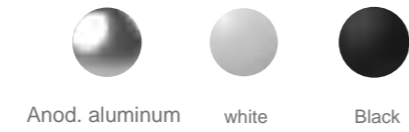
Types of installation:



Material: Extruded aluminum
Dimension: 14x58mm
Length: MAX 5m



FINISH



END CAPS

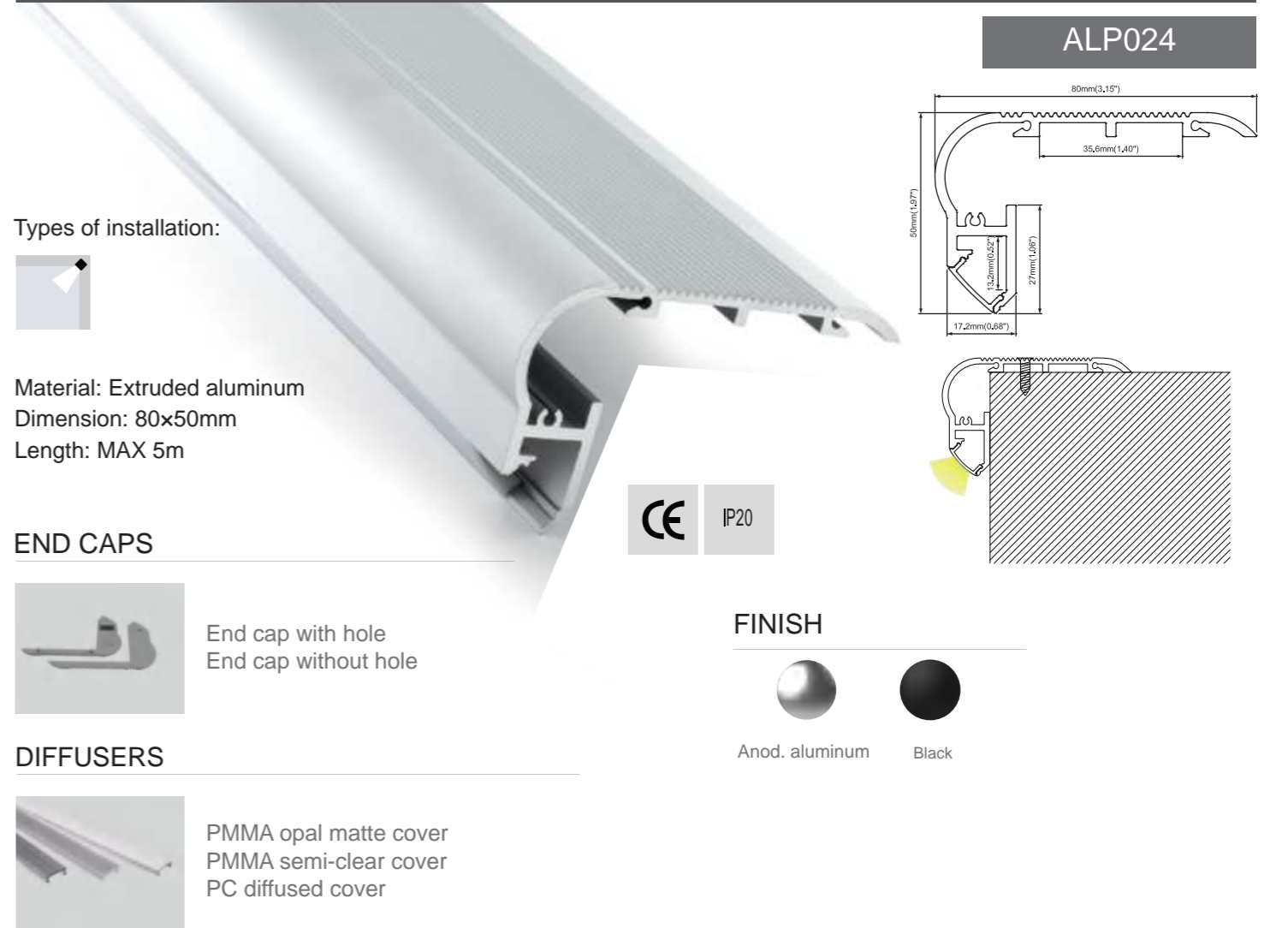


End cap with hole
End cap without hole

DIFFUSERS



PC diffused cover



Types of installation:



Material: Extruded aluminum
Dimension: 80x50mm
Length: MAX 5m

END CAPS



End cap with hole
End cap without hole

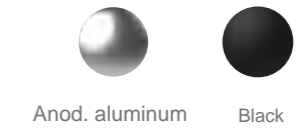
DIFFUSERS



PMMA opal matte cover
PMMA semi-clear cover
PC diffused cover



FINISH





Types of installation:



Material: Extruded aluminum
Dimension: 65x27.5mm
Length: MAX 5m

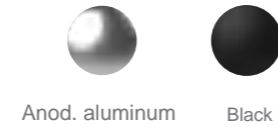


END CAPS



End cap with hole
End cap without hole

FINISH



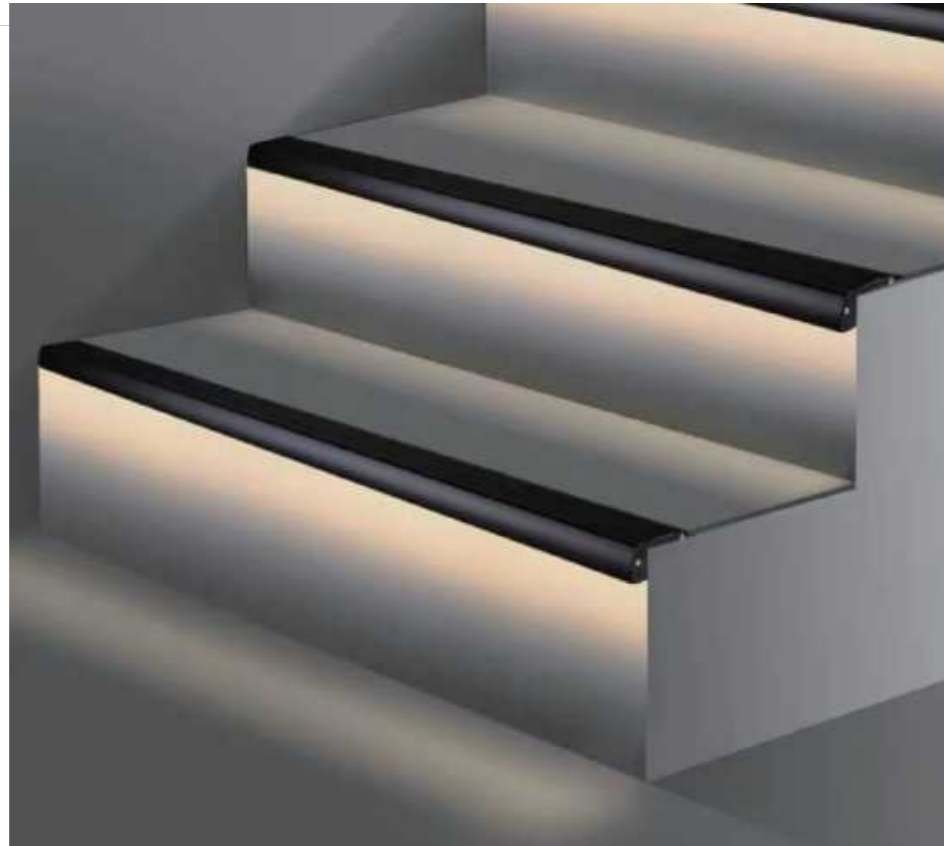
DIFFUSERS



PC diffused cover



PVC anti-skid



Types of installation:



Material: Extruded aluminum
Dimension: 80x32mm
Length: MAX 5m



FINISH



END CAPS



End cap with hole
End cap without hole

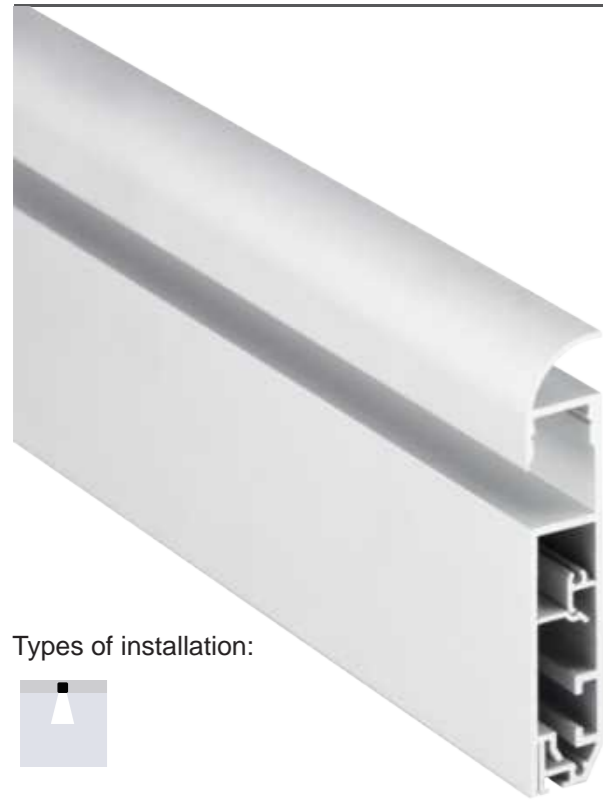
DIFFUSERS



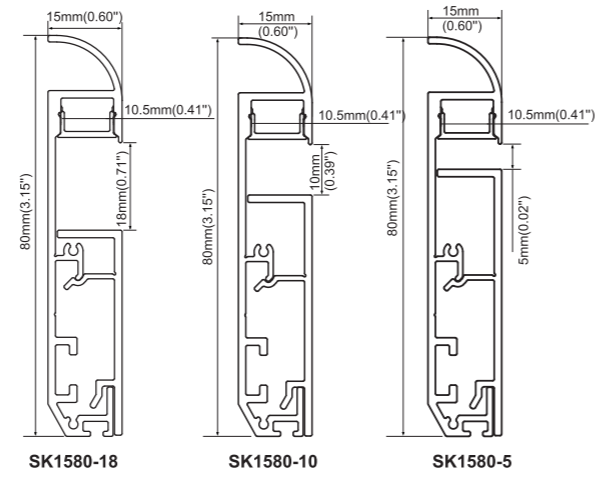
PC diffused cover



PVC anti-skid



SK1580-10



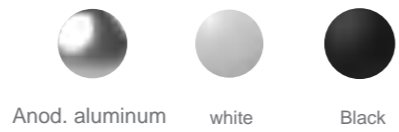
Types of installation:



Material: Extruded aluminum
Dimension: 15x80mm
Length: MAX 5m



FINISH



END CAPS

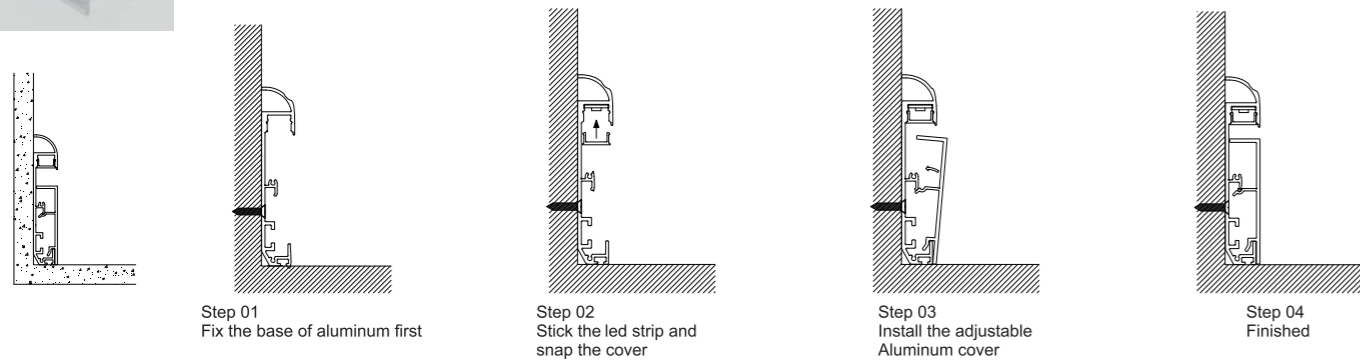


End Caps

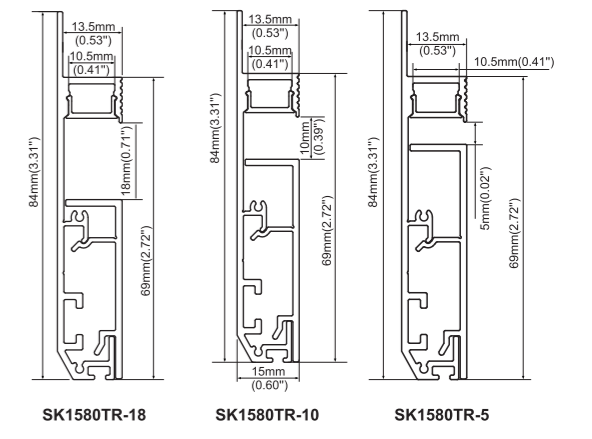
DIFFUSERS



PC diffused cover



SK1580TR-5



Types of installation:



Material: Extruded aluminum
Dimension: 13.5x84mm
Length: MAX 5m



FINISH



END CAPS

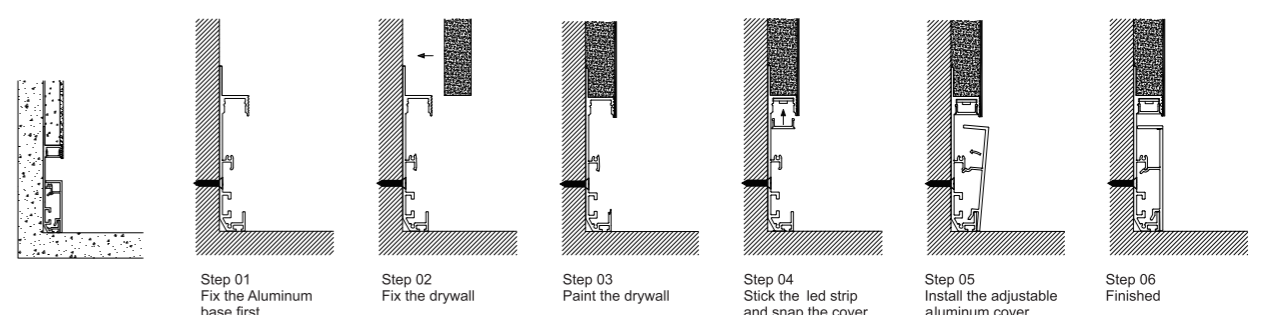


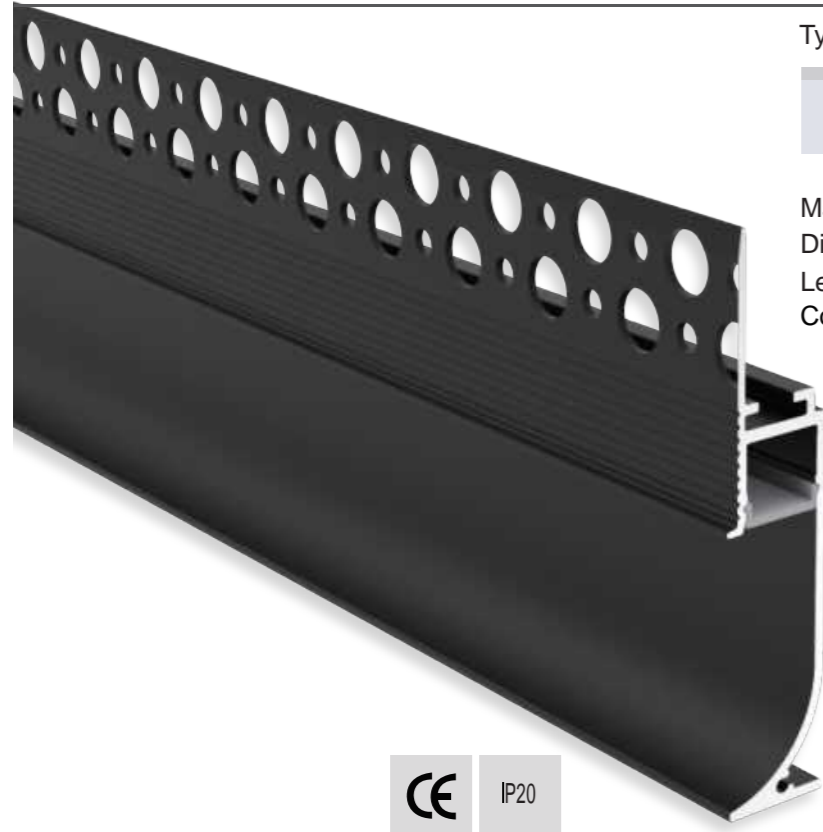
End cap with hole
End cap without hole

DIFFUSERS



PC diffused cover



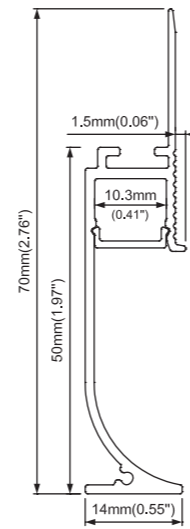


Types of installation:

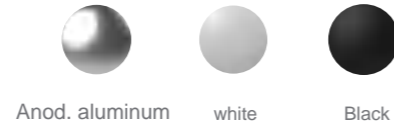


Material: Extruded aluminum
Dimension: 14x70mm
Length: MAX 5m
Compatible with 12.5mm drywall

SK1270



FINISH



END CAPS



End cap with hole
End cap without hole

DIFFUSERS



PC diffused cover

ACCESSORIES



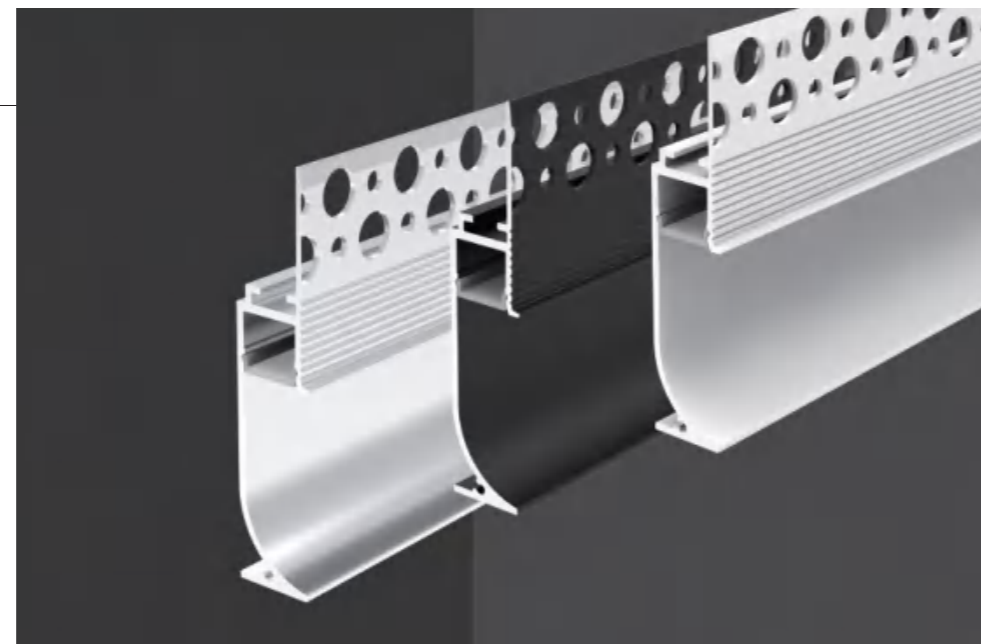
90° Horizontal connector



180° Connector



Disposable cover

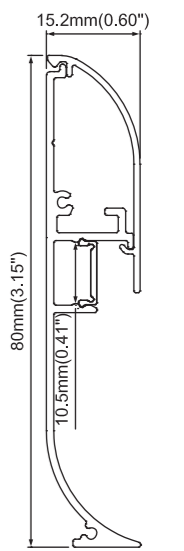


Types of installation:

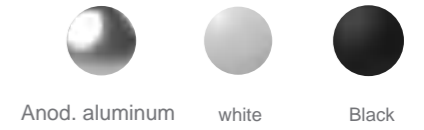


Material: Extruded aluminum
Dimension: 15.2x80mm
Length: MAX 5m

SK1580-R



FINISH



END CAPS



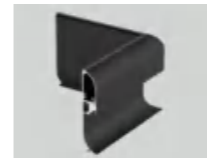
End caps

DIFFUSERS



PC diffused cover

ACCESSORIES



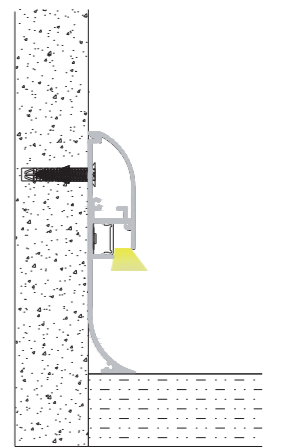
90° Outside Connector



90° Inside Connector



180° Connector



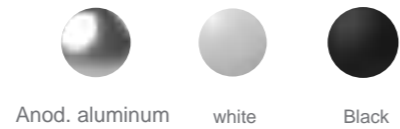


Types of installation:



Material: Extruded aluminum
Dimension: 18.5x7mm
Length: MAX 5m

FINISH



END CAPS



End cap with hole
End cap without hole

DIFFUSERS



PC diffused cover



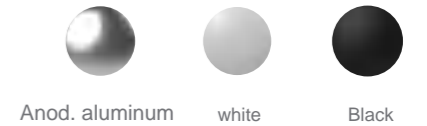
Types of installation:



Material: Extruded aluminum
Dimension: 18.5x7mm
Length: MAX 5m



FINISH



END CAPS



End cap with hole
End cap without hole

DIFFUSERS



PC diffused cover

ACCESSORIES



Adjustable bracket



Mounting clip (metal)

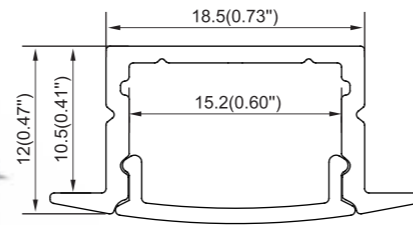


45° Mounting clip





ALP149



Types of installation:



Material: Extruded aluminum
Dimension: 18.5x12mm
Length: MAX 5m

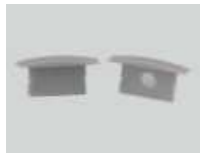


FINISH



Anod. aluminum white Black

END CAPS

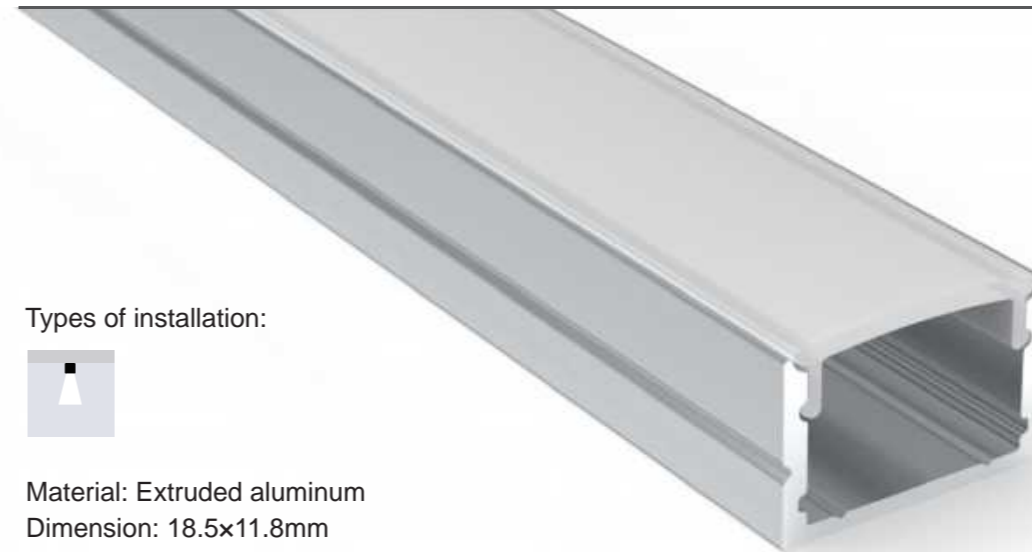


End cap with hole
End cap without hole

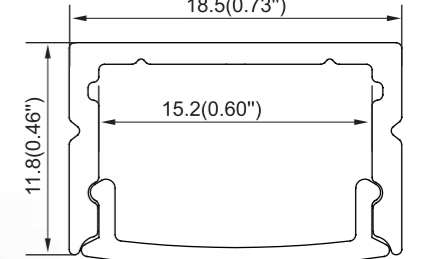
DIFFUSERS



PC diffused cover



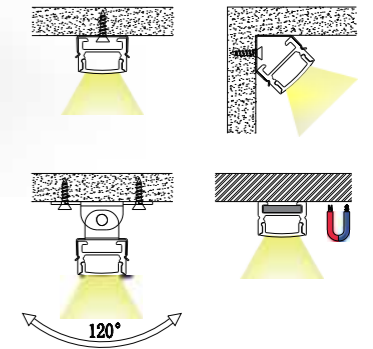
ALP150



Types of installation:



Material: Extruded aluminum
Dimension: 18.5x11.8mm
Length: MAX 5m



FINISH



Anod. aluminum white Black

END CAPS



End cap with hole
End cap without hole

DIFFUSERS



PC diffused cover

ACCESSORIES



Adjustable bracket



Mounting clip (metal)



45° clip





Types of installation:



Material: Extruded aluminum
Dimension: 18.5x16mm
Length: MAX 5m



END CAPS



End cap with hole
End cap without hole

DIFFUSERS



PC diffused cover

ACCESSORIES



Spring clip



90° Horizontal connector



90° Vertical connector



135° Horizontal connector



135° Vertical connector



180° Connector

FINISH



Anod. aluminum white Black



Types of installation:



Material: Extruded aluminum
Dimension: 18.5x16mm
Length: MAX 5m



END CAPS



End cap with hole
End cap without hole

DIFFUSERS



PC diffused cover

ACCESSORIES



Mounting clip (metal)



Adjustable bracket



Magnet



45° Clip



90° Horizontal connector



90° Vertical connector



135° Horizontal connector



135° Vertical Connector

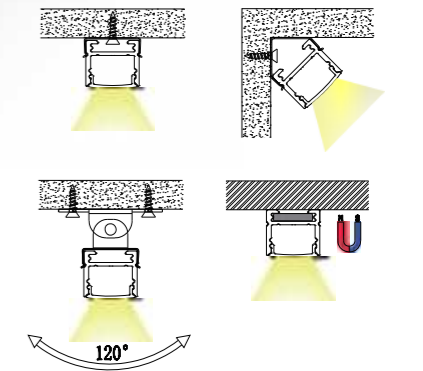


180° Connector

FINISH



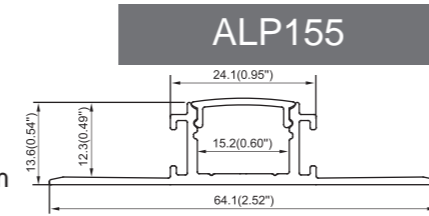
Anod. aluminum white Black



Types of installation:



Material: Extruded aluminum
Dimension: 64.1x13.6mm
Length: MAX 6m
Compatible with 12.5mm drywall



FINISH



Anod. aluminum white Black



END CAPS



End cap with hole
End cap without hole

DIFFUSERS



PC diffused cover

ACCESSORIES



90° Horizontal connector



90° Vertical connector



180° Connector

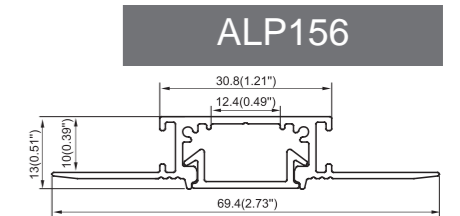


Disposable cover

Types of installation:



Material: Extruded aluminum
Dimension: 13x69.4mm
Length: MAX 5m
Compatible with 12.5mm drywall



FINISH



Anod. aluminum white Black

END CAPS



End cap with hole
End cap without hole

DIFFUSERS



PC diffused cover



Black diffused cover

ACCESSORIES



90° Horizontal connector

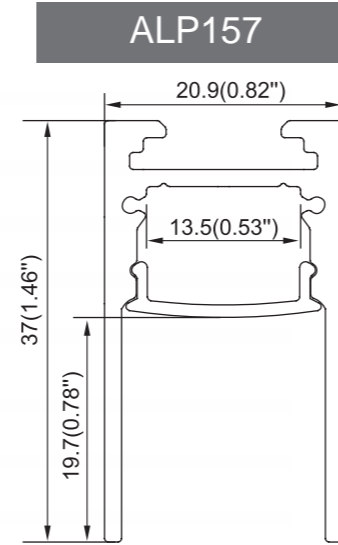


90° Vertical connector

Types of installation:



Material: Extruded aluminum
Dimension: 20.9x37mm
Length: MAX 5m

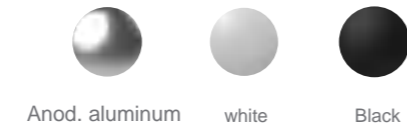


END CAPS



End cap with hole
End cap without hole

FINISH



Anod. aluminum white Black

DIFFUSERS



PC diffused cover



PMMA clear cover
+Prismatic foil

ACCESSORIES



Mounting clip (metal)



Hanging bracket



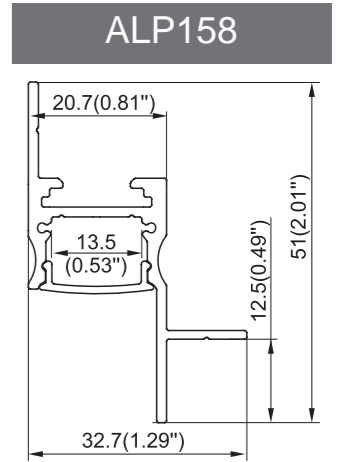
90° Horizontal connector



180° Connector



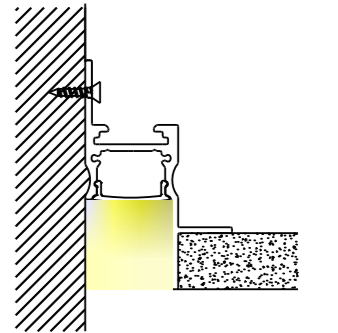
Steel wire



Types of installation:



Material: Extruded aluminum
Dimension: 32.7x51mm
Length: MAX 5m



END CAPS



End cap with hole
End cap without hole

FINISH



Anod. aluminum white Black

DIFFUSERS



PC diffused cover



PMMA clear cover
+Prismatic foil

ACCESSORIES



90° Horizontal connector

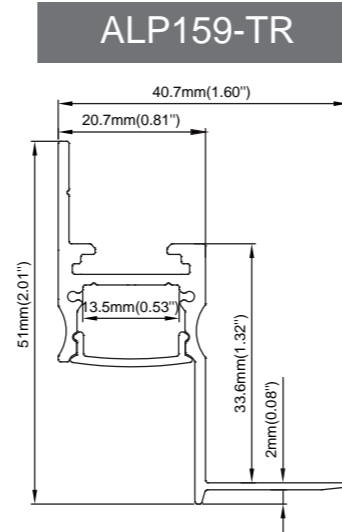


180° Connector

Types of installation:



Material: Extruded aluminum
Dimension: 40.7x51mm
Length: MAX 5m
Compatible with 12.5mm drywall

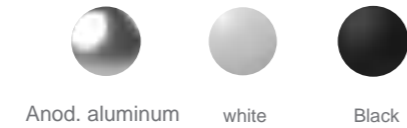


END CAPS



End cap with hole
End cap without hole

FINISH



DIFFUSERS



PC diffused cover



PMMA clear cover
+Prismatic foil

ACCESSORIES



90° Horizontal connector



180° Connector



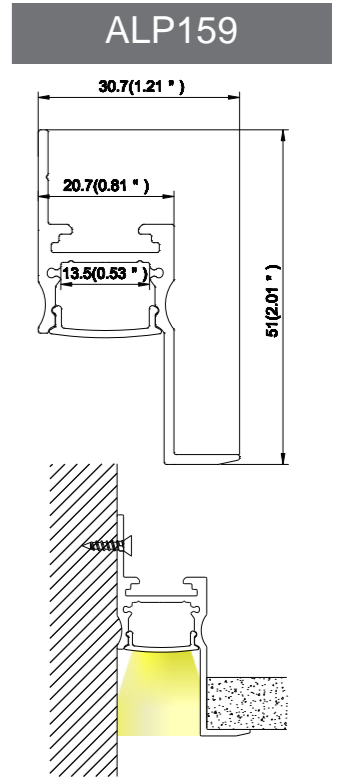
Disposable cover



Types of installation:



Material: Extruded aluminum
Dimension: 30.7x51mm
Length: MAX 5m

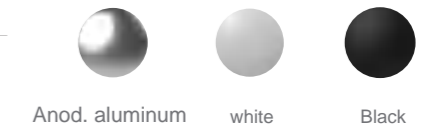


END CAPS



End cap with hole
End cap without hole

FINISH



DIFFUSERS



PC diffused cover

ACCESSORIES



90° Horizontal connector



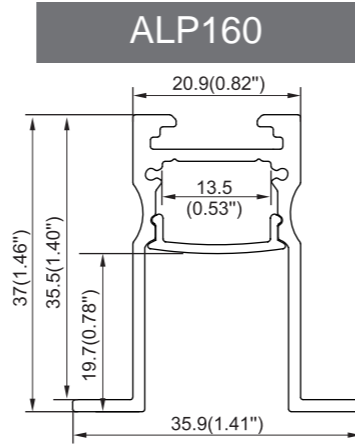
180° Connector



Types of installation:



Material: Extruded aluminum
Dimension: 35.9x37mm
Length: MAX 5m



FINISH



Anod. aluminum white Black

END CAPS



End cap with hole
End cap without hole

DIFFUSERS



PC diffused cover



PMMA clear cover
+Prismatic foil

ACCESSORIES



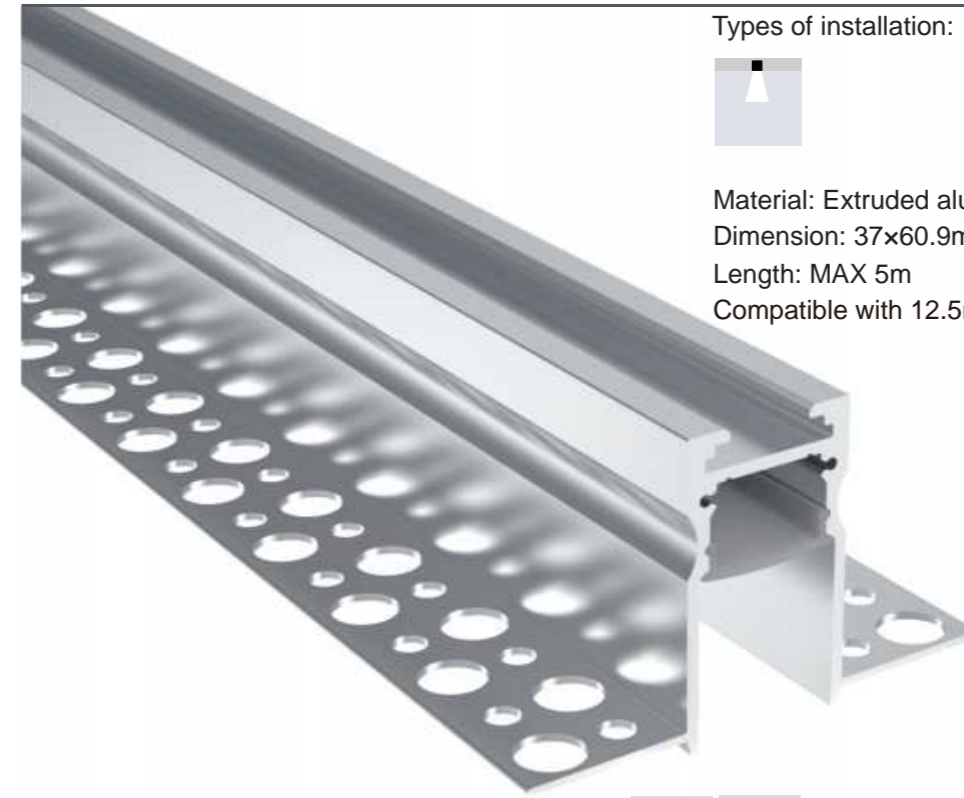
90° Horizontal connector



180° Connector



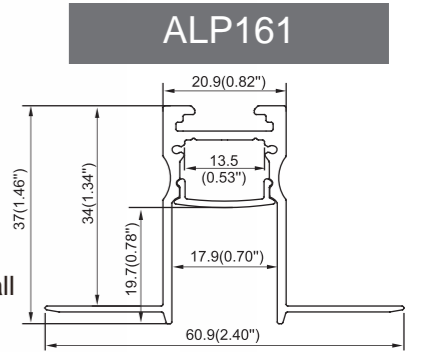
90° Vertical connector



Types of installation:



Material: Extruded aluminum
Dimension: 37x60.9mm
Length: MAX 5m
Compatible with 12.5mm drywall



FINISH



Anod. aluminum white Black

END CAPS



End cap with hole
End cap without hole

DIFFUSERS



PC diffused cover



PMMA clear cover
+Prismatic foil

ACCESSORIES



90° Horizontal connector



180° Connector



90° Vertical connector

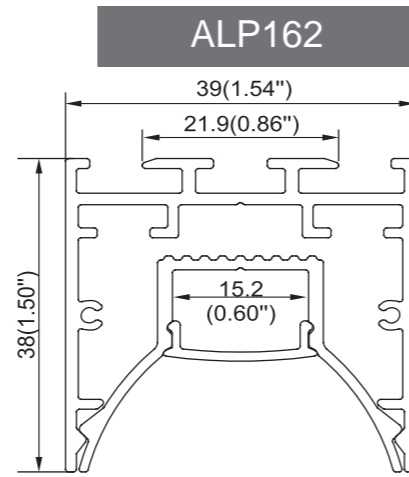
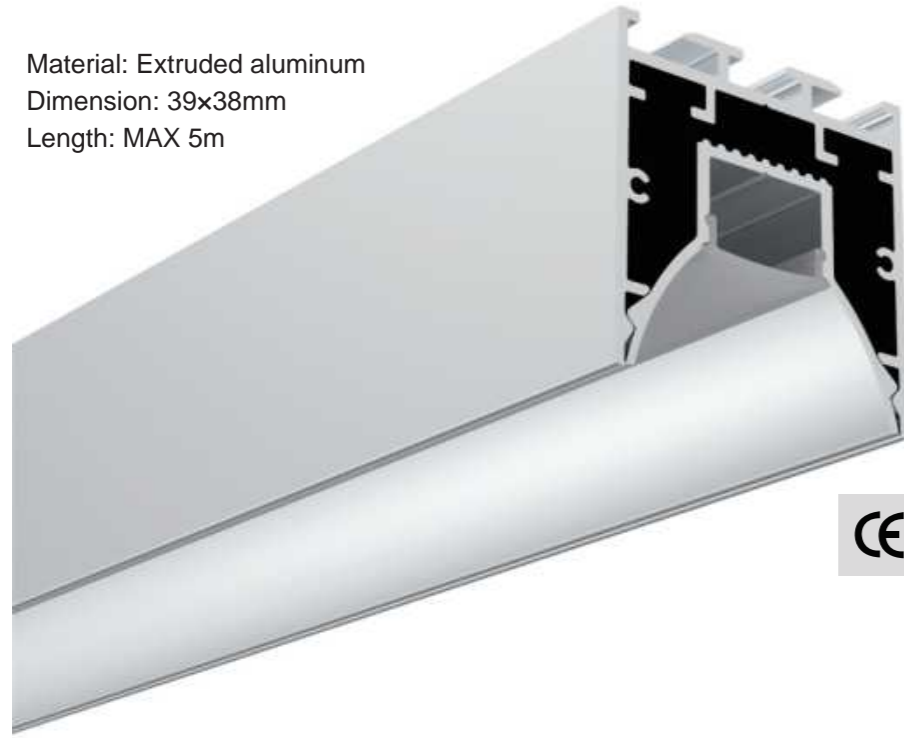


Disposable cover

Types of installation:



Material: Extruded aluminum
Dimension: 39x38mm
Length: MAX 5m



FINISH



Anod. aluminum white Black

END CAPS



End Caps

DIFFUSERS



PC diffused cover

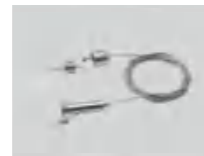


PMMA clear cover
+Prismatic foil

ACCESSORIES



90° Horizontal connector



Steel wire



180° Connector

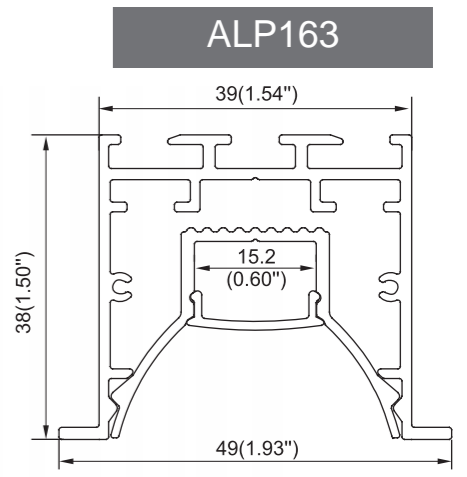
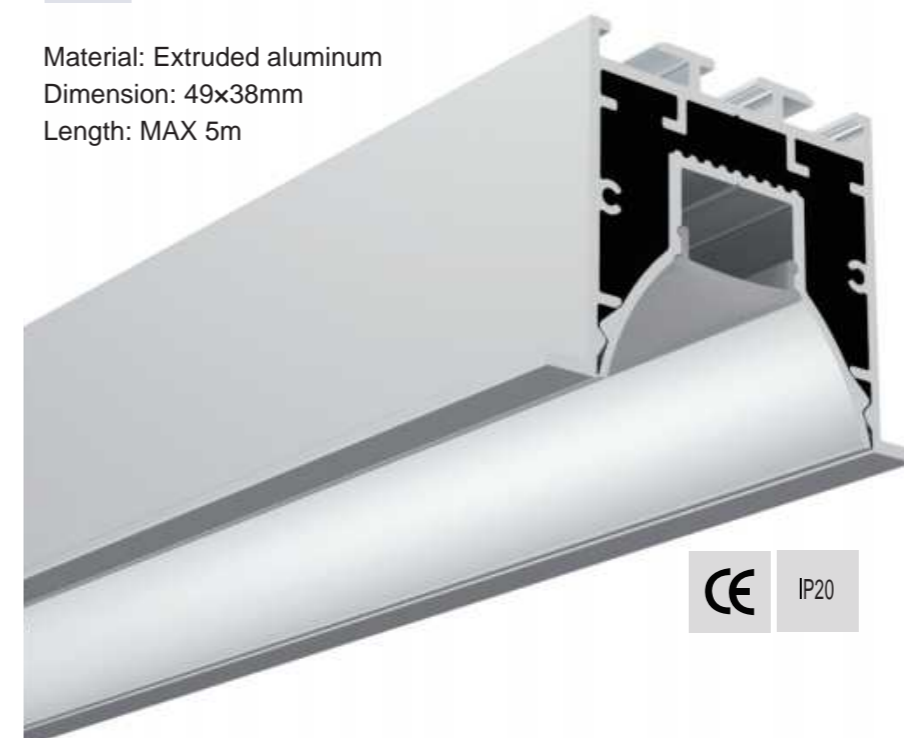


90° Vertical connector

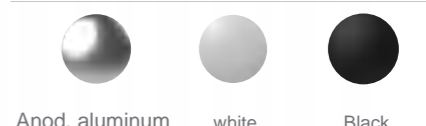
Types of installation:



Material: Extruded aluminum
Dimension: 49x38mm
Length: MAX 5m

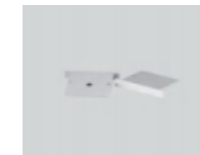


FINISH



Anod. aluminum white Black

END CAPS

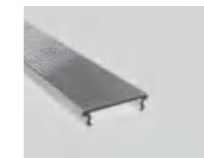


End cap with hole
End cap without hole

DIFFUSERS



PC diffused cover



PMMA clear cover
+Prismatic foil

ACCESSORIES



90° Horizontal connector



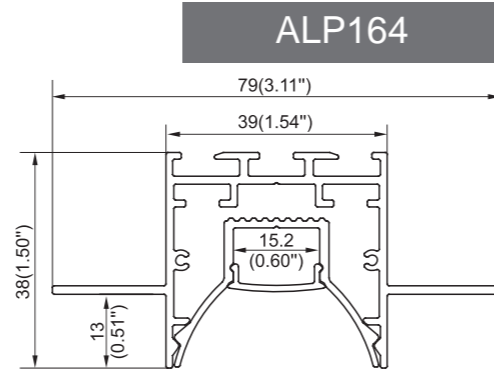
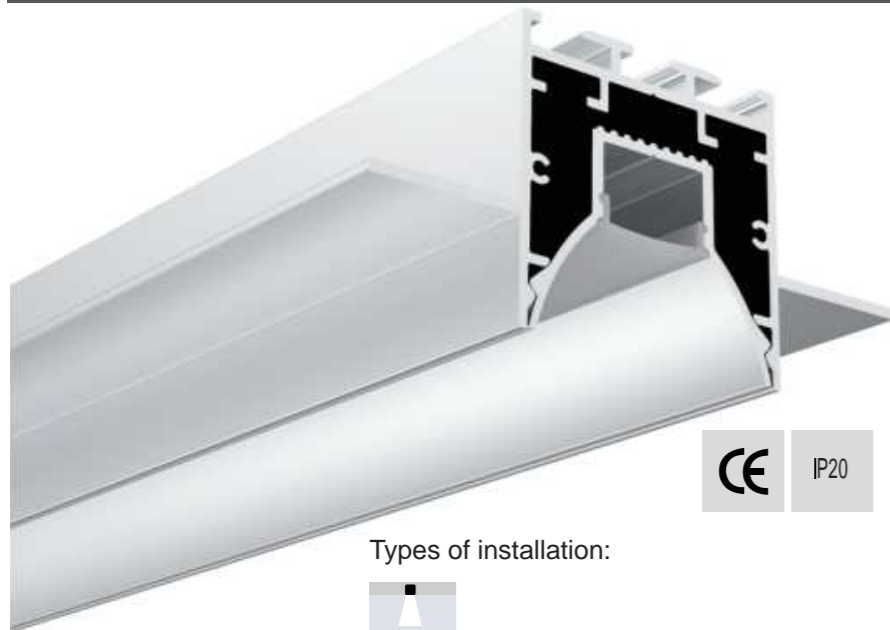
Spring clip



180° Connector



90° Vertical connector



Types of installation:



Material: Extruded aluminum
Dimension: 79x38mm
Length: MAX 5m
Compatible with 12.5mm drywall

FINISH



Anod. aluminum white Black

END CAPS



End cap with hole
End cap without hole

DIFFUSERS



PC diffused cover



PMMA clear cover
+Prismatic foil

ACCESSORIES



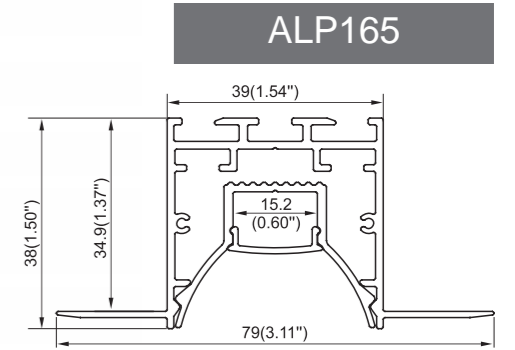
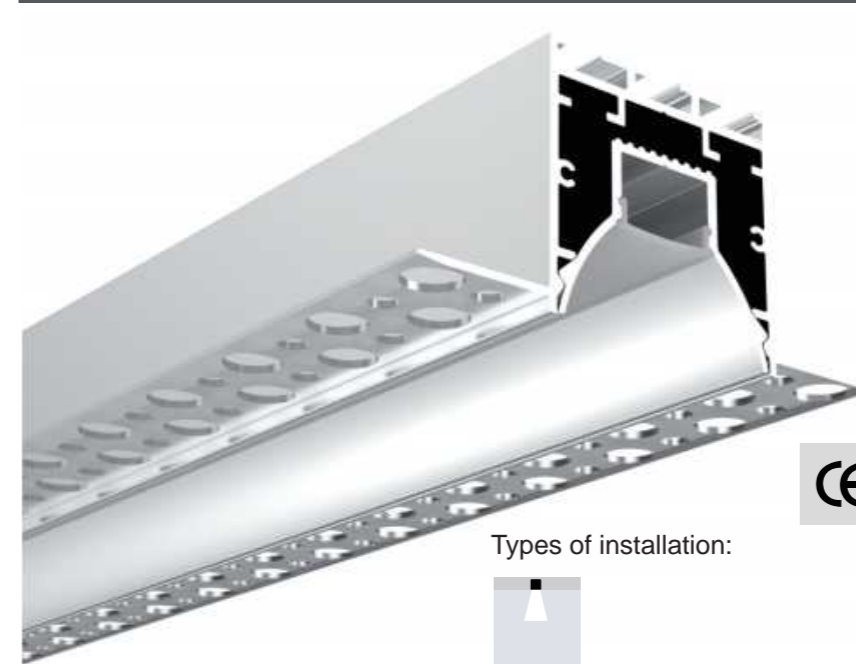
90° Horizontal connector



180° Connector



90° Vertical connector

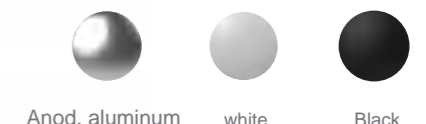


Types of installation:



Material: Extruded aluminum
Dimension: 79x38mm
Length: MAX 5m
Compatible with 12.5mm&16mm drywall

FINISH



Anod. aluminum white Black

END CAPS



End cap with hole
End cap without hole

DIFFUSERS



PC diffused cover



PMMA clear cover
+Prismatic foil

ACCESSORIES



90° Horizontal connector



180° Connector




90° Vertical connector

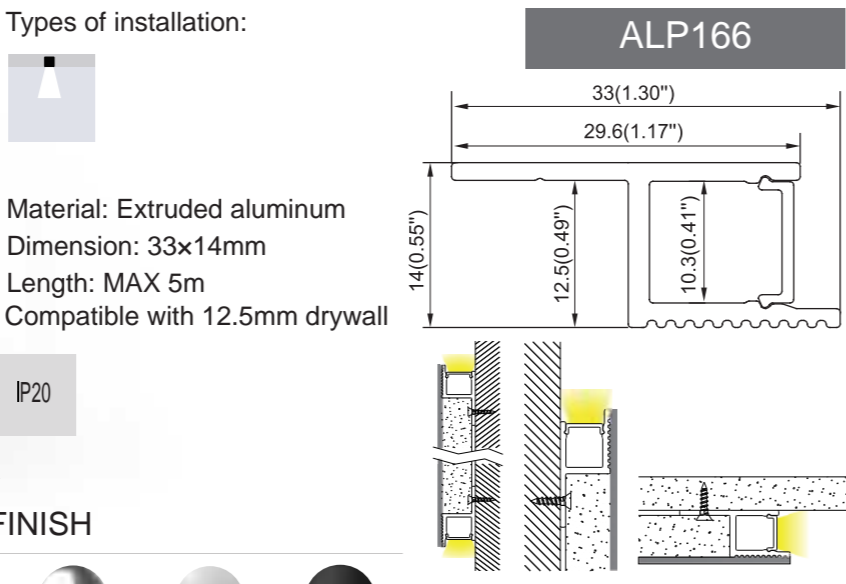


Disposable cover

ALP166




Types of installation:



Material: Extruded aluminum
Dimension: 33x14mm
Length: MAX 5m
Compatible with: 12.5mm drywall

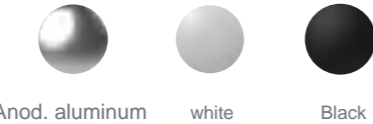
CE IP20

END CAPS




End cap with hole
End cap without hole

FINISH




Anod. aluminum white Black

DIFFUSERS



PC diffused cover

ALP167




Types of installation:



Material: Extruded aluminum
Dimension: 14.2x147mm
Length: MAX 5m
Compatible with: 12.5mm drywall


CE IP20

END CAPS




End cap with hole
End cap without hole

FINISH




Anod. aluminum white Black

DIFFUSERS




PC diffused cover

ACCESSORIES

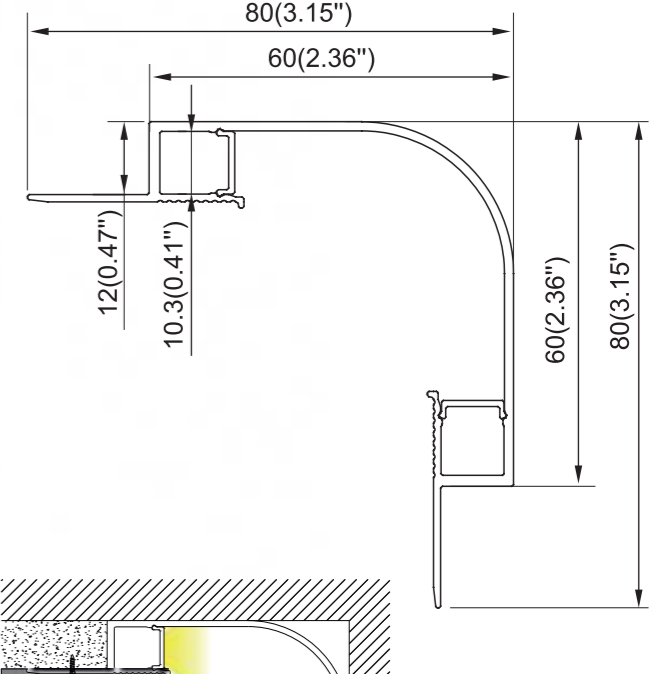


Disposable cover

ALP168



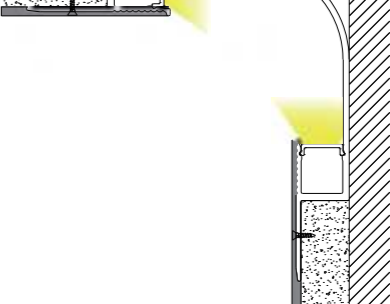
Types of installation:



Material: Extruded aluminum
Dimension: 80x80mm
Length: MAX 5m
Compatible with: 12.5mm drywall

CE IP20


Types of installation:



Material: Extruded aluminum
Dimension: 80x80mm
Length: MAX 5m
Compatible with: 12.5mm drywall

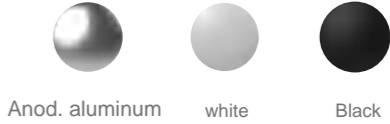
CE IP20

END CAPS




End cap with hole
End cap without hole

FINISH




Anod. aluminum white Black

DIFFUSERS

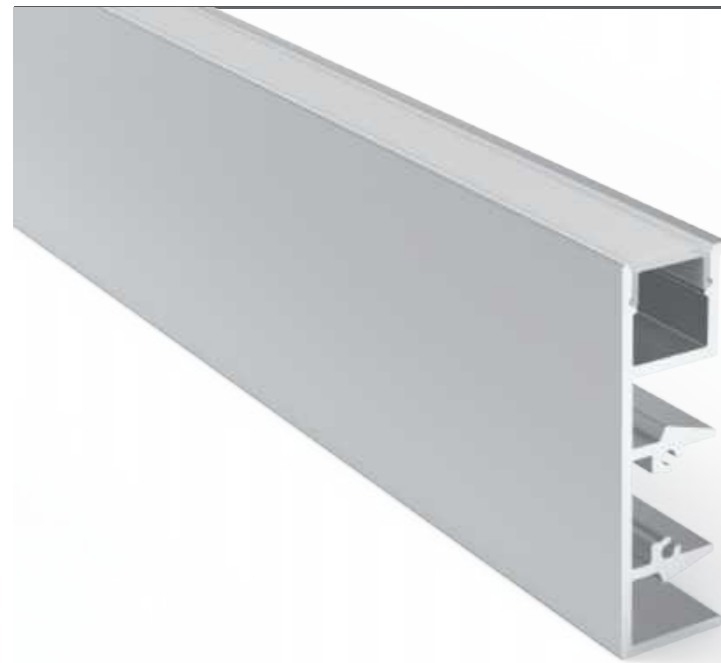


PC diffused cover

ACCESSORIES



Disposable cover

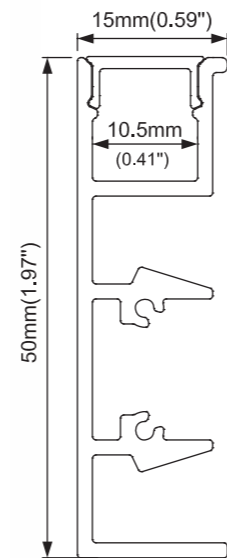


Types of installation:



Material: Extruded aluminum
Dimension: 15x50mm
Length: MAX 5m

ALP169

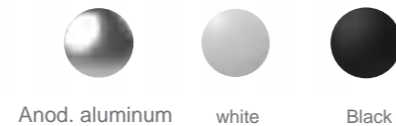


END CAPS



End Caps

FINISH



DIFFUSERS



PC diffused cover

ACCESSORIES



90° Horizontal connector



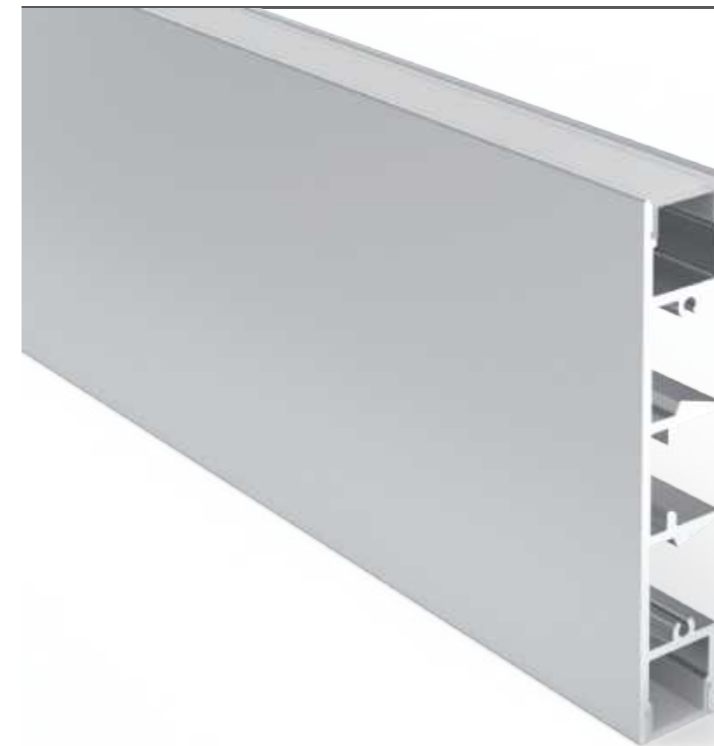
Mounting clip (metal)



90° Vertical connector



180° Connector

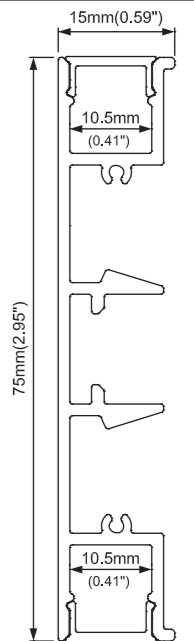


Types of installation:



Material: Extruded aluminum
Dimension: 15x75mm
Length: MAX 5m

ALP170



END CAPS



End cap with hole
End cap without hole

FINISH



DIFFUSERS



PC diffused cover

ACCESSORIES



90° Horizontal connector



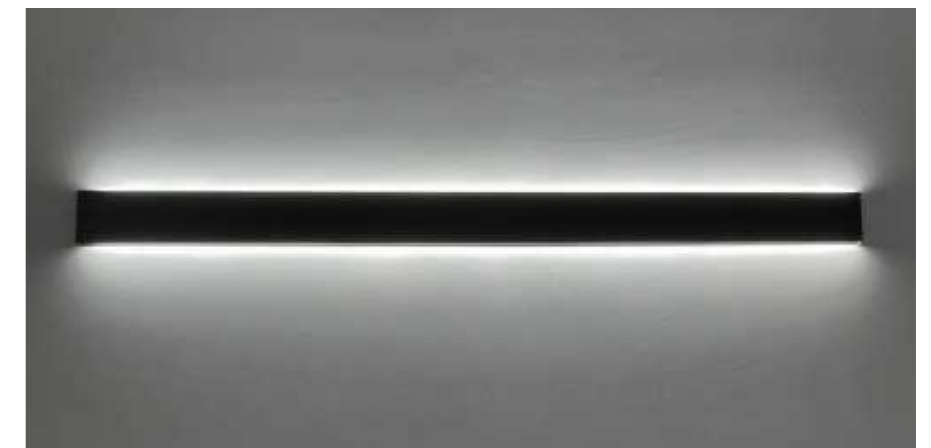
180° Connector



90° Vertical connector



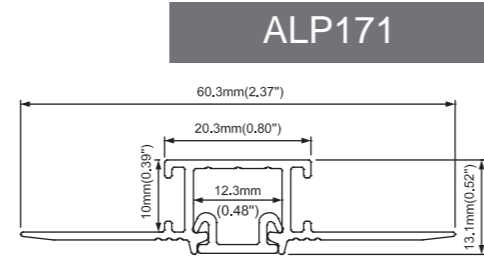
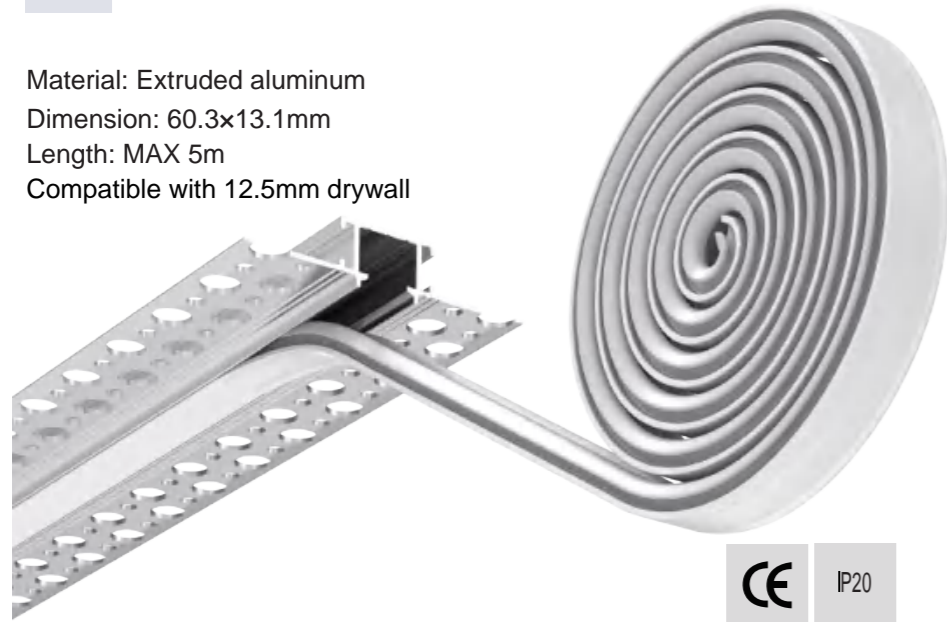
Mounting clip (metal)



Types of installation:



Material: Extruded aluminum
Dimension: 60.3x13.1mm
Length: MAX 5m
Compatible with 12.5mm drywall



ALP171



END CAPS



End cap with hole
End cap without hole

DIFFUSERS



PC diffused cover



Black diffused cover

ACCESSORIES



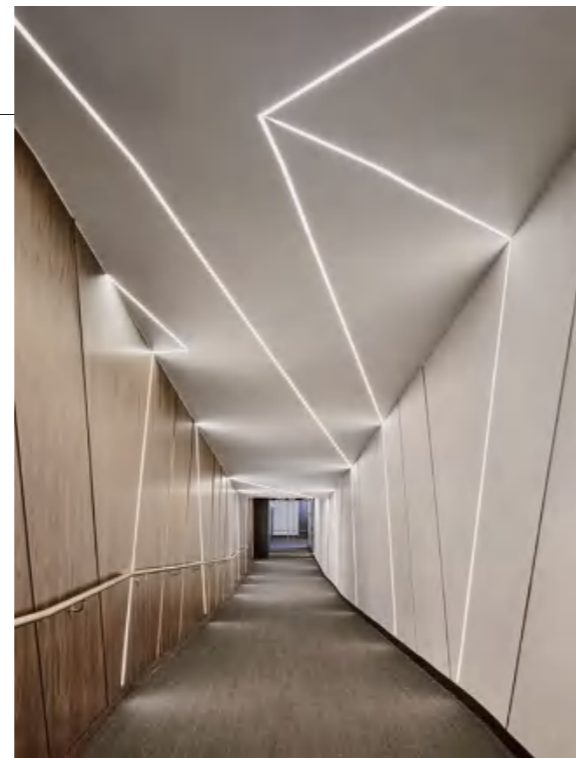
90° Horizontal connector



90° Vertical connector



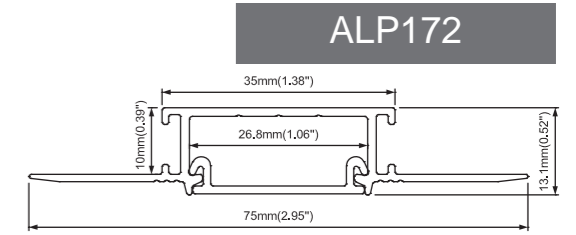
180° Connector



Types of installation:



Material: Extruded aluminum
Dimension: 75x13.1mm
Length: MAX 5m
Compatible with 12.5mm drywall



ALP172



END CAPS



End Caps

DIFFUSERS



PC diffused cover



Black diffused cover

ACCESSORIES



90° Horizontal connector



90° Vertical connector

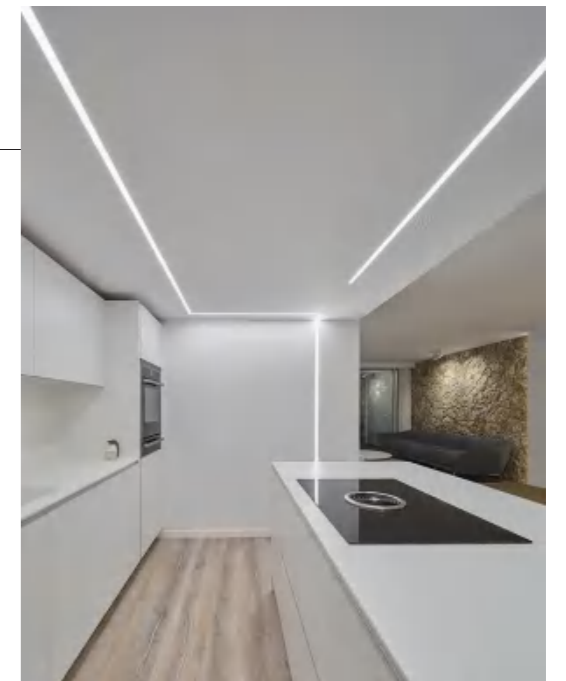


180° Connector

FINISH



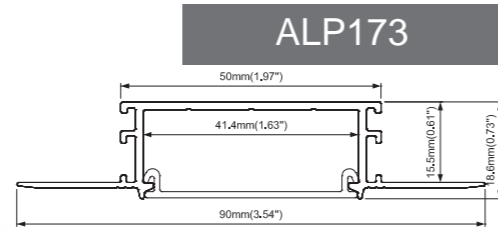
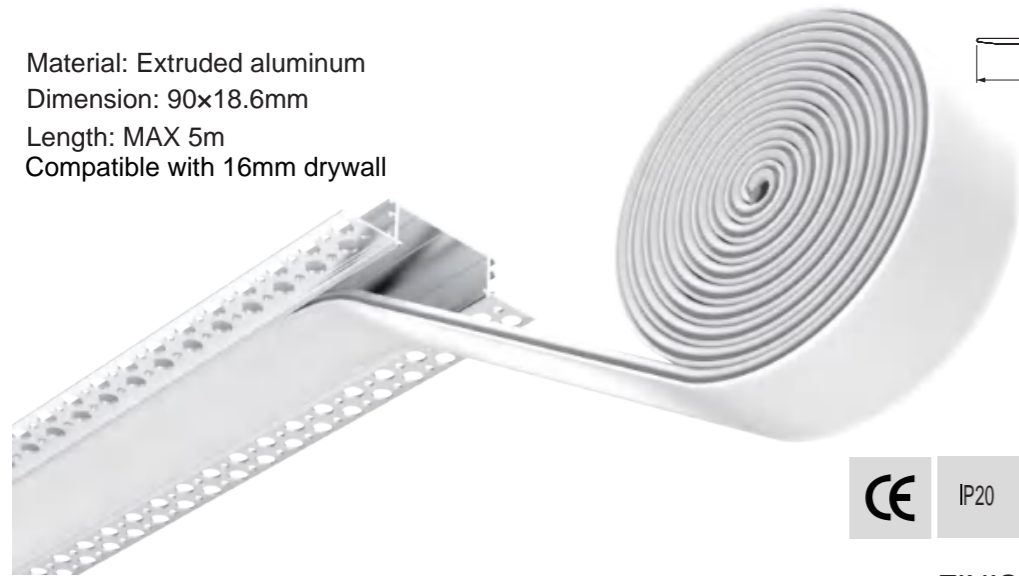
Anod. aluminum white Black



Types of installation:



Material: Extruded aluminum
Dimension: 90x18.6mm
Length: MAX 5m
Compatible with 16mm drywall



FINISH



Anod. aluminum white Black

END CAPS



End cap with hole
End cap without hole

DIFFUSERS



PC diffused cover



Black diffused cover

ACCESSORIES



90° Horizontal connector



90° Vertical connector

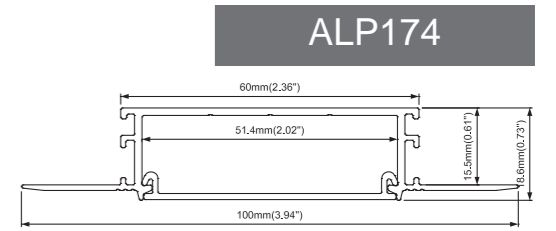
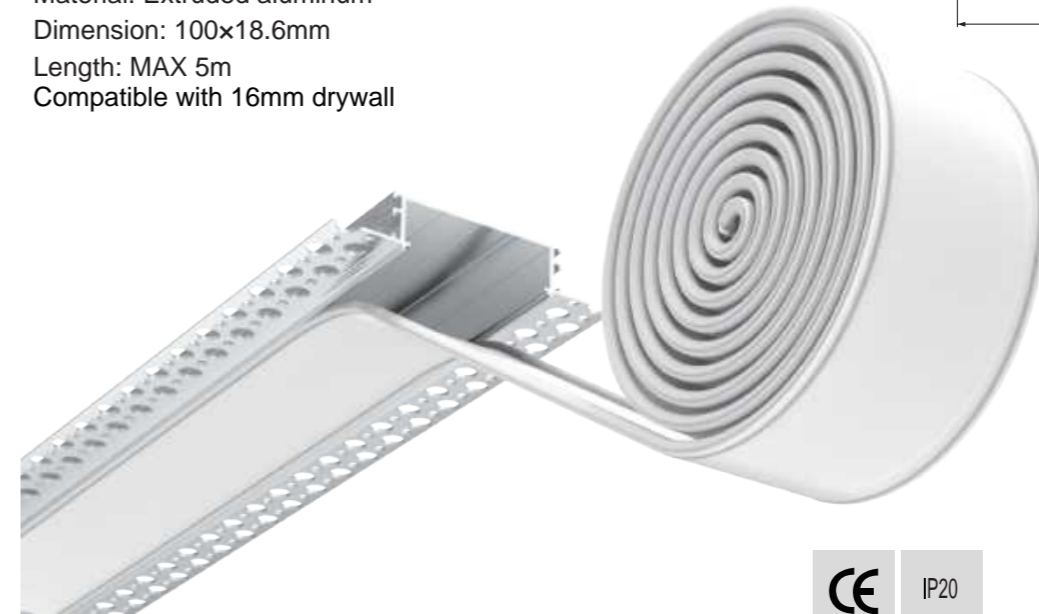


180° Connector

Types of installation:



Material: Extruded aluminum
Dimension: 100x18.6mm
Length: MAX 5m
Compatible with 16mm drywall



FINISH



Anod. aluminum white Black

END CAPS



End cap with hole
End cap without hole

DIFFUSERS



PC diffused cover



Black diffused cover

ACCESSORIES



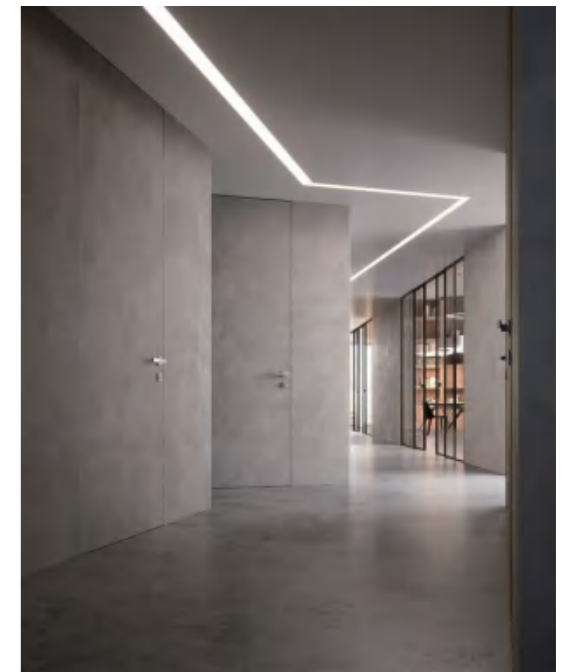
90° Horizontal connector



90° Vertical connector



180° Connector



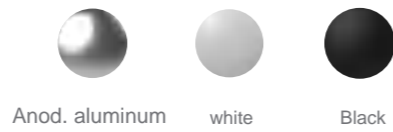
Types of installation:



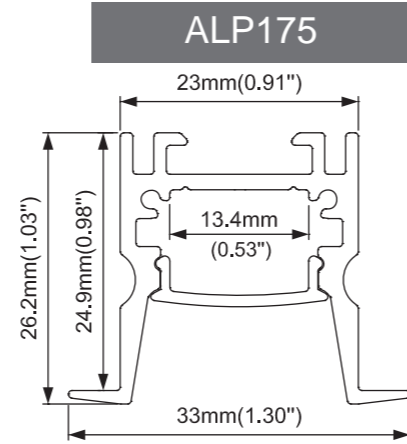
Material: Extruded aluminum
Dimension: 33x26.2mm
Length: MAX 5m



FINISH



Anod. aluminum white Black



END CAPS



End cap with hole
End cap without hole

DIFFUSERS



PC diffused cover



PMMA clear cover
+Prismatic foil



Black PC frosted cover

ACCESSORIES



90° Horizontal connector



180° Connector



90° Vertical connector



Spring clip

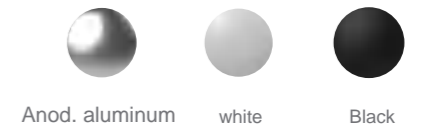
Types of installation:



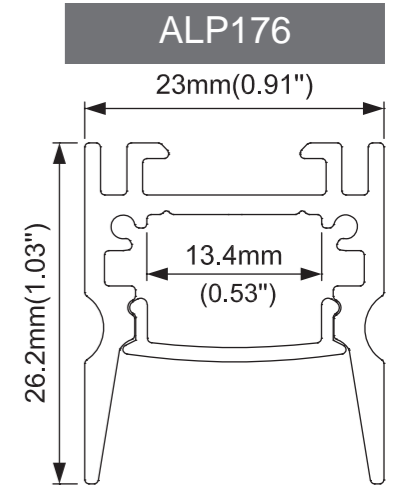
Material: Extruded aluminum
Dimension: 23x26.2mm
Length: MAX 5m



FINISH



Anod. aluminum white Black



END CAPS



End cap with hole
End cap without hole

DIFFUSERS



PC diffused



PMMA clear cover
+Prismatic foil



Black PC frosted cover

ACCESSORIES



90° Horizontal connector



Hanging bracket



180° Connector



Steel wire



90° Vertical connector

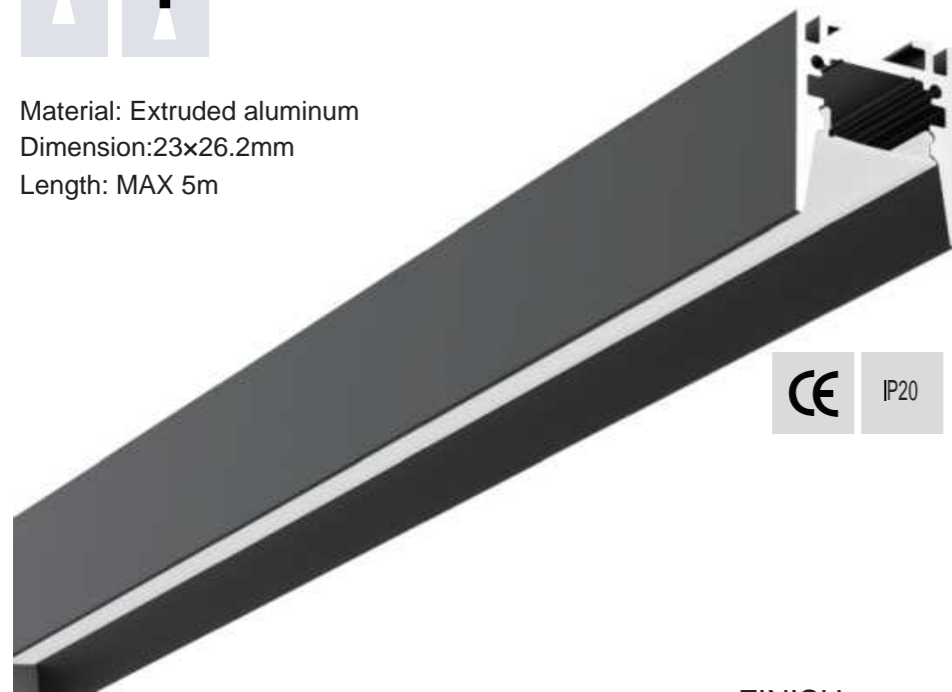


Mounting clip (surface)

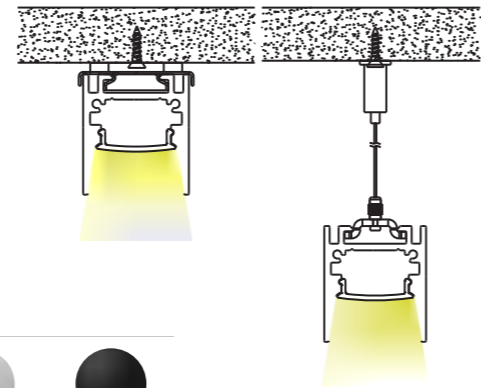
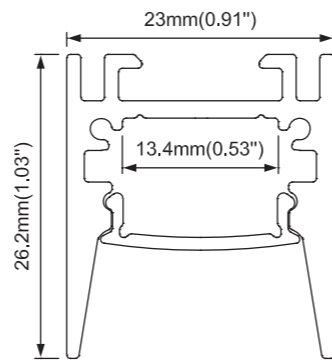
Types of installation:



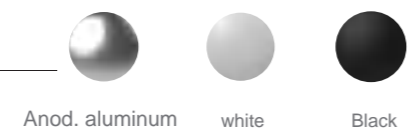
Material: Extruded aluminum
Dimension: 23x26.2mm
Length: MAX 5m



ALP176-R



FINISH



END CAPS



End cap with hole
End cap without hole

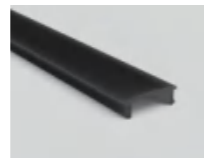
DIFFUSERS



PC diffused cover



PMMA clear cover
+Prismatic foil



Black PC frosted cover

ACCESSORIES



90° Horizontal connector



Hanging bracket



180° Connector



Steel wire



90° Vertical connector



Mounting clip (surface)

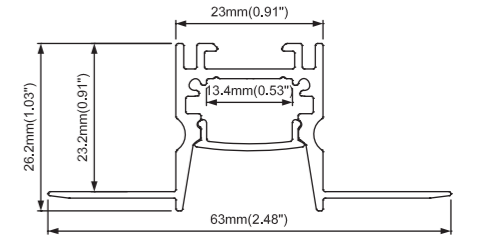
Types of installation:



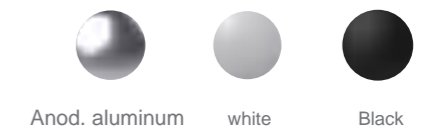
Material: Extruded aluminum
Dimension: 63x26.2mm
Length: MAX 5m
Compatible with 12.5mm drywall



ALP177



FINISH



END CAPS



End cap with hole
End cap without hole

DIFFUSERS



PC diffused cover



PMMA clear cover
+Prismatic foil

ACCESSORIES



90° Horizontal connector



90° Vertical connector



180° Connector



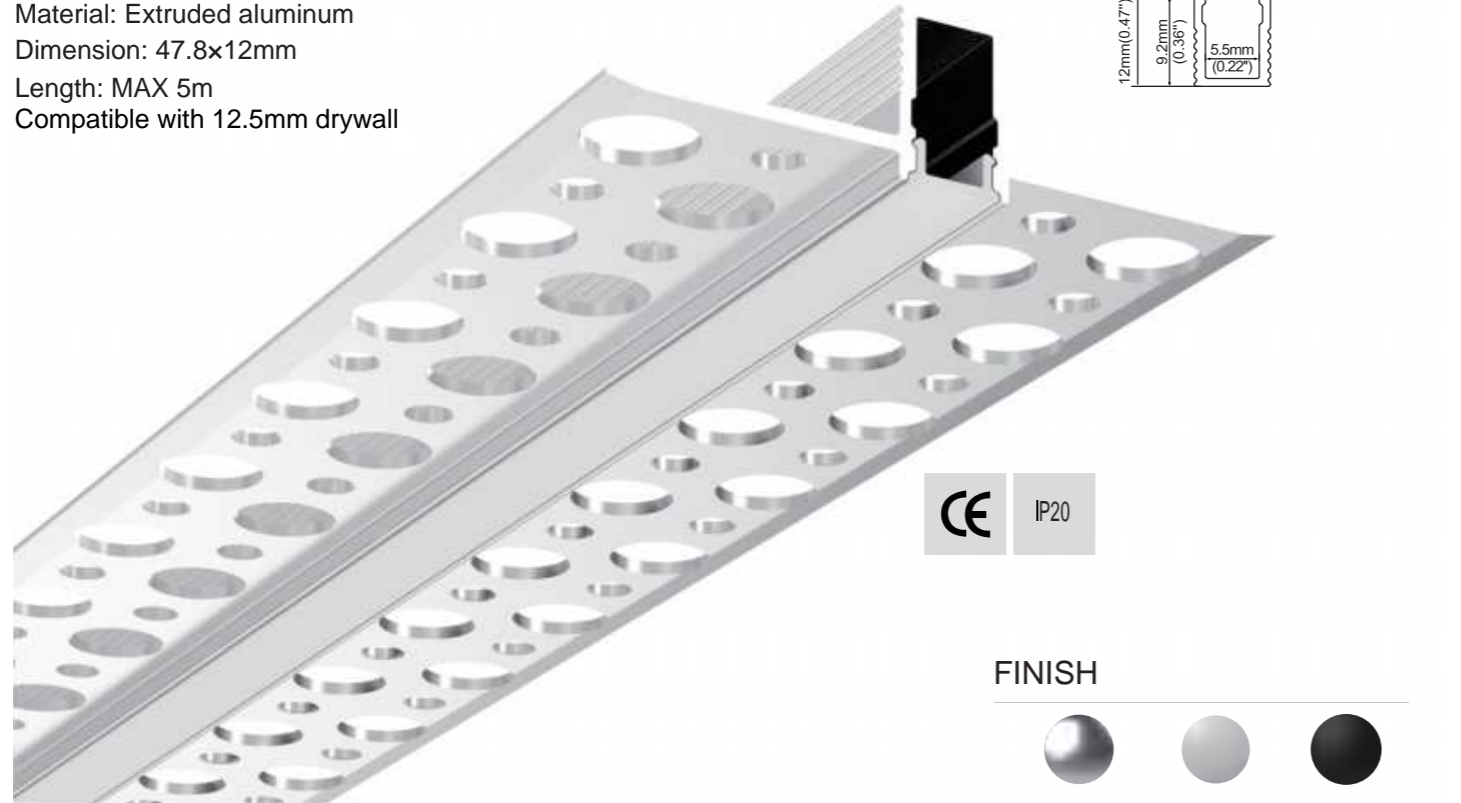
Disposable cover



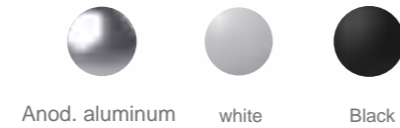
Types of installation:



Material: Extruded aluminum
Dimension: 47.8x12mm
Length: MAX 5m
Compatible with 12.5mm drywall



FINISH



END CAPS



End cap with hole
End cap without hole

DIFFUSERS



PC frosted cover

ACCESSORIES



Disposable cover

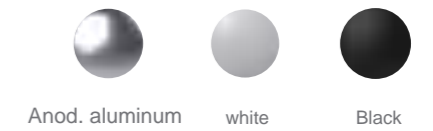
Types of installation:



Material: Extruded aluminum
Dimension: 39.6x24.4mm
Length: MAX 5m
Compatible with 12.5mm drywall



FINISH



END CAPS



End cap with hole
End cap without hole

DIFFUSERS



PC frosted cover

ACCESSORIES



Disposable cover

Types of installation:



Material: Extruded aluminum
Dimension: 44.1x22.2mm
Length: MAX 5m
Compatible with 12.5mm drywall



FINISH



END CAPS



End cap with hole
End cap without hole

DIFFUSERS



PC frosted cover

ACCESSORIES

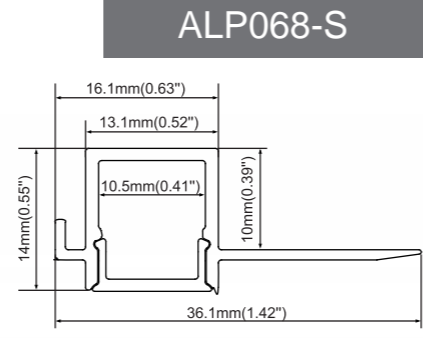
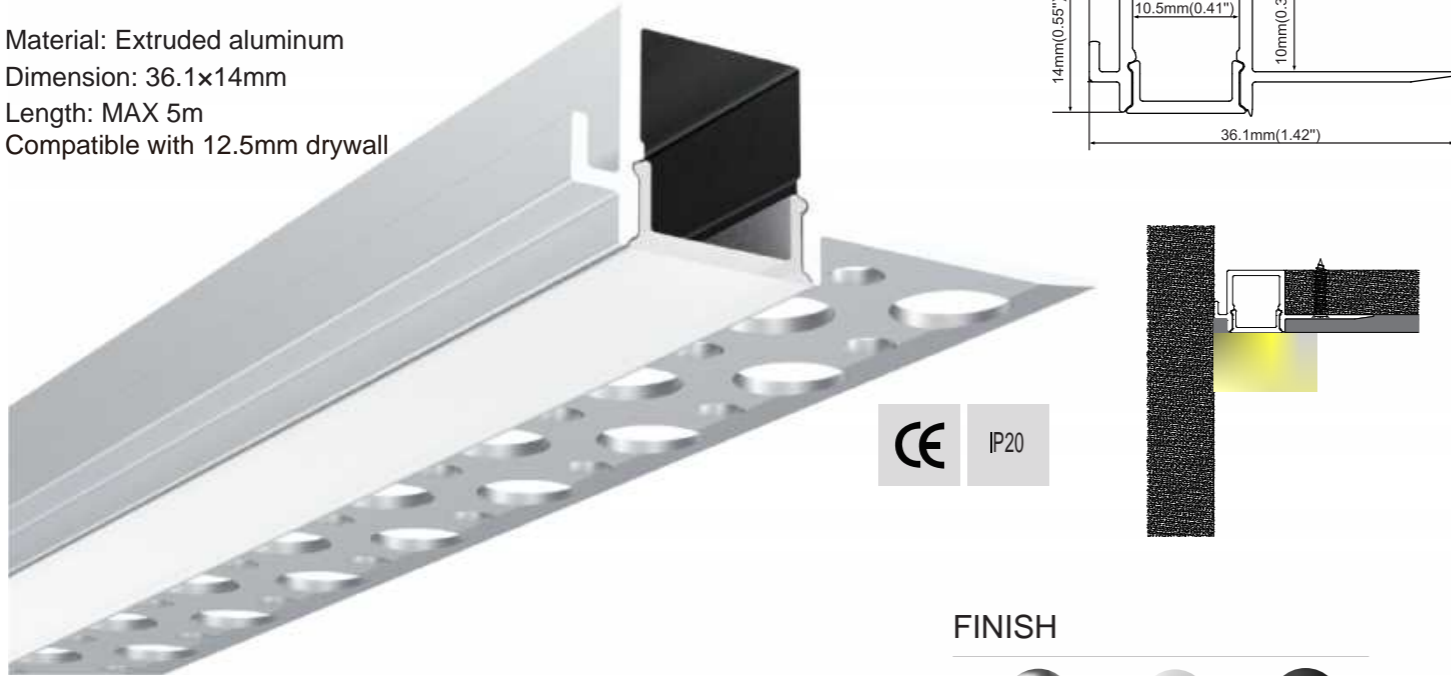


Disposable cover

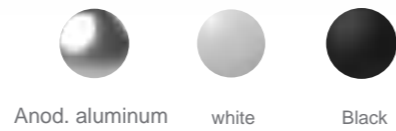
Types of installation:



Material: Extruded aluminum
Dimension: 36.1x14mm
Length: MAX 5m
Compatible with 12.5mm drywall



FINISH



END CAPS



End cap with hole
End cap without hole

DIFFUSERS



PC diffused cover



Black PC frosted cover

ACCESSORIES

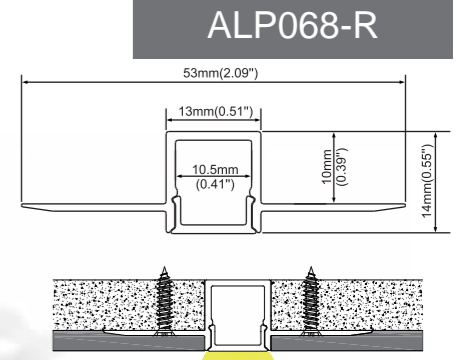
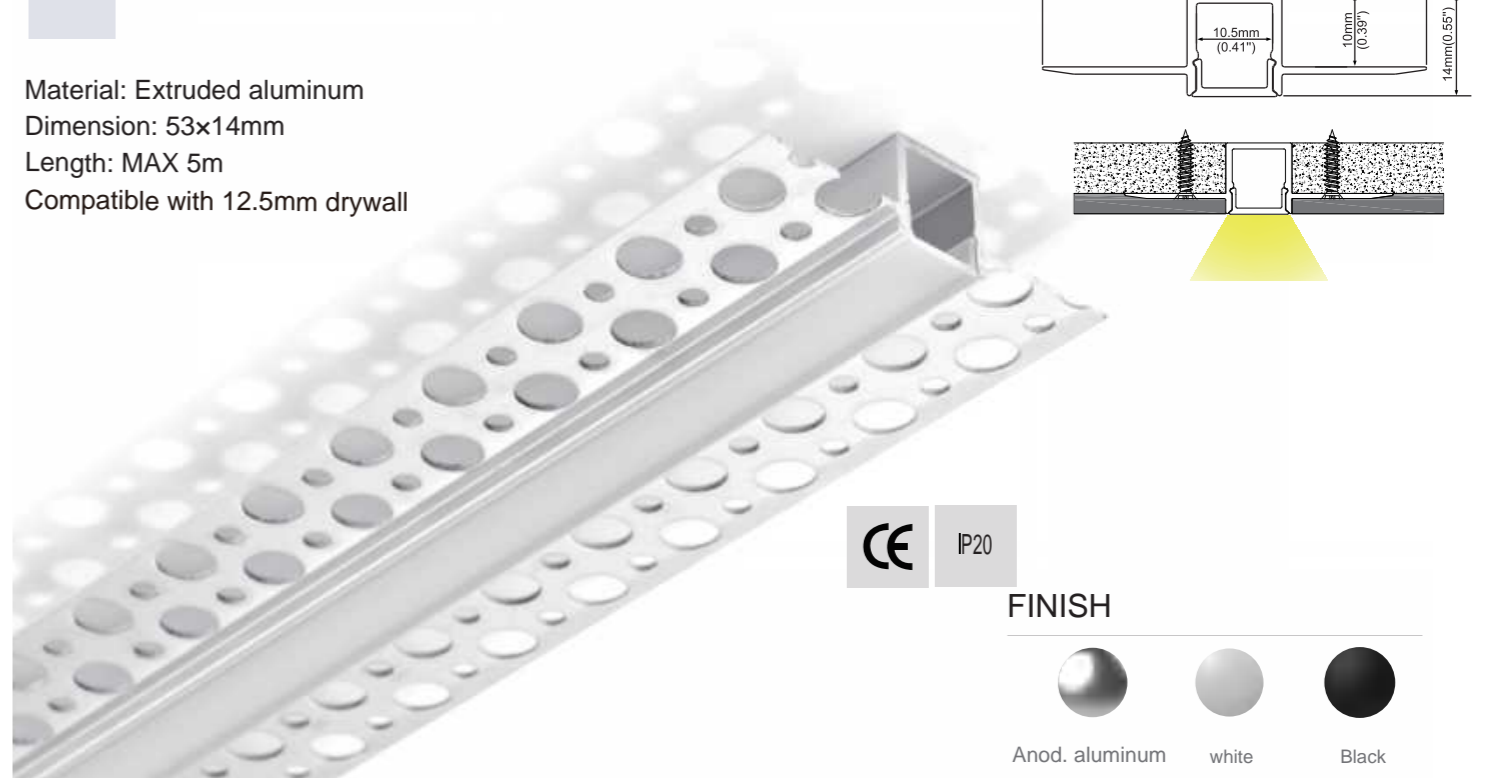


Disposable cover

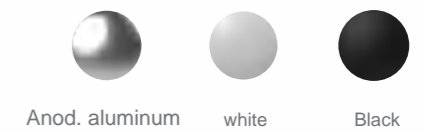
Types of installation:



Material: Extruded aluminum
Dimension: 53x14mm
Length: MAX 5m
Compatible with 12.5mm drywall



FINISH



END CAPS



End cap with hole
End cap without hole

DIFFUSERS



PC diffused cover



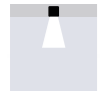
Black PC frosted cover

ACCESSORIES

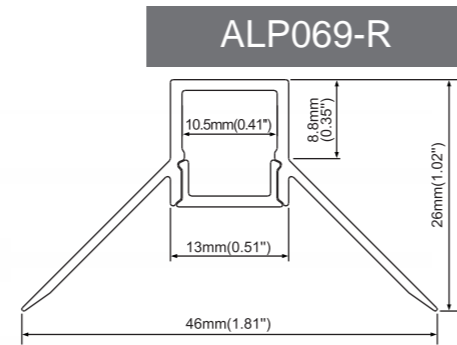
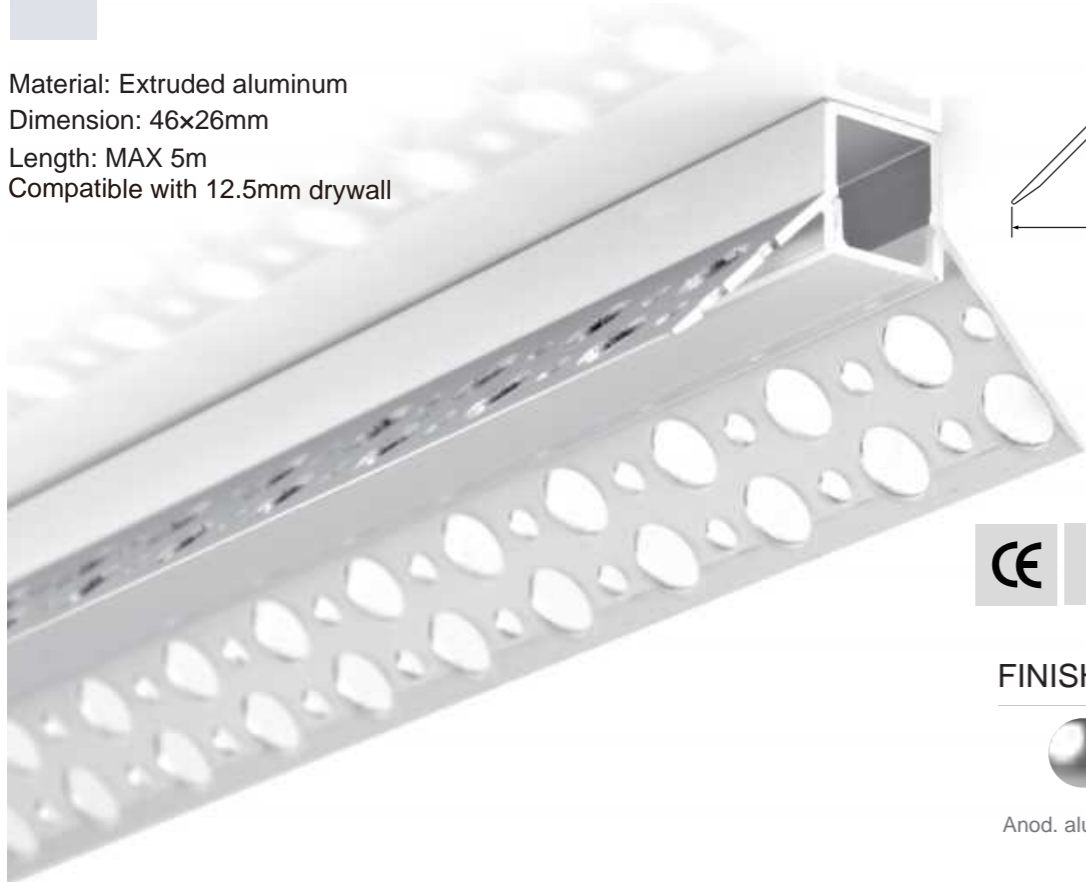


Disposable cover

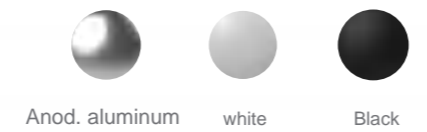
Types of installation:



Material: Extruded aluminum
Dimension: 46x26mm
Length: MAX 5m
Compatible with 12.5mm drywall



FINISH



END CAPS



End cap with hole
End cap without hole

DIFFUSERS



PC diffused cover



Black PC frosted cover



PMMA clear cover
+Prismatic foil

ACCESSORIES

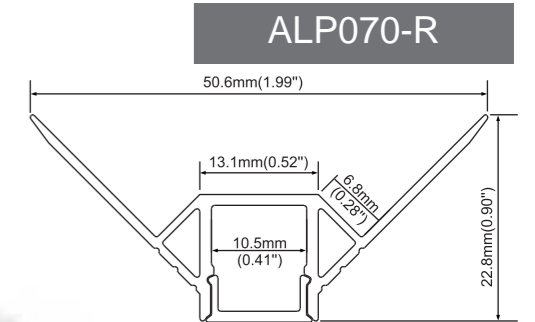


Disposable cover

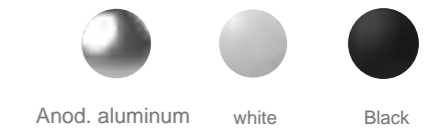
Types of installation:



Material: Extruded aluminum
Dimension: 50.6x22.8mm
Length: MAX 5m
Compatible with 12.5mm drywall



FINISH



END CAPS



End cap with hole
End cap without hole

DIFFUSERS



PC diffused cover



Black PC frosted cover

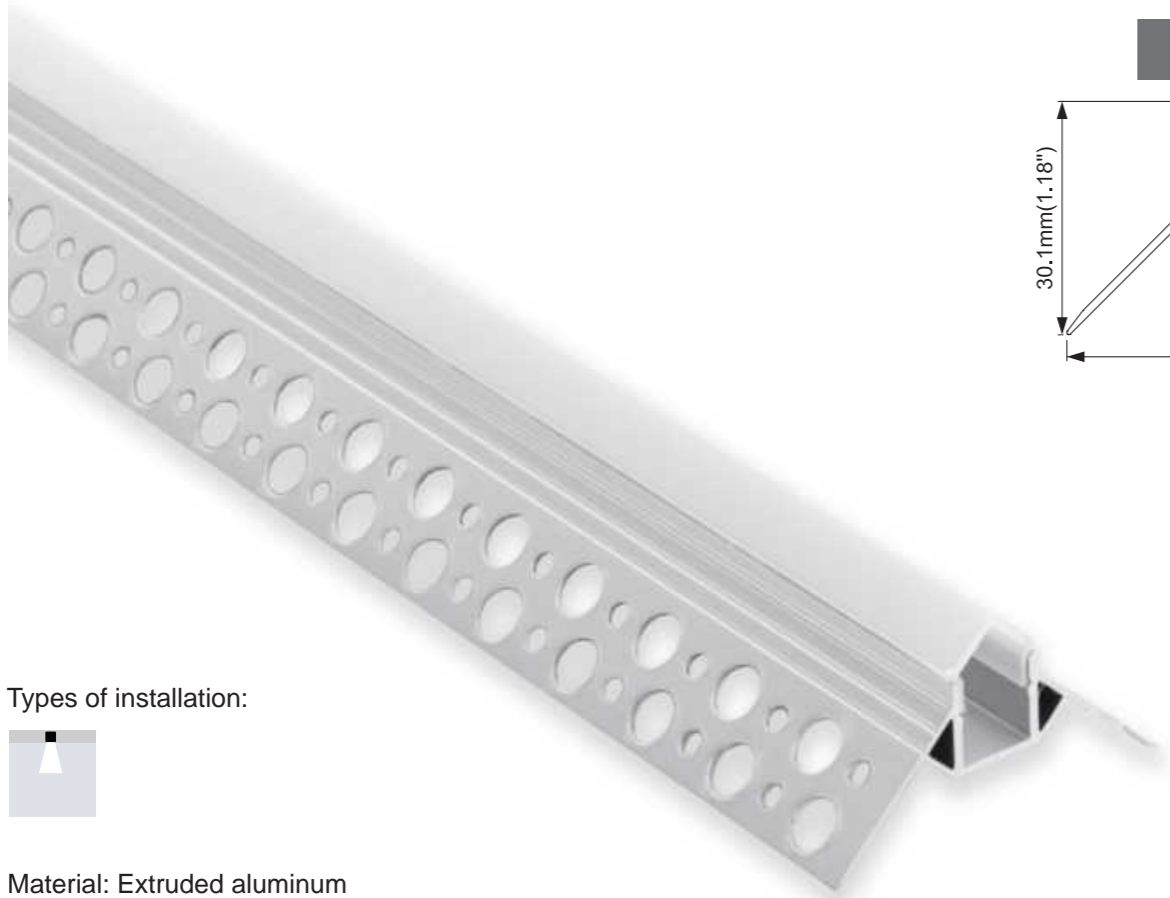


PMMA clear cover
+Prismatic foil

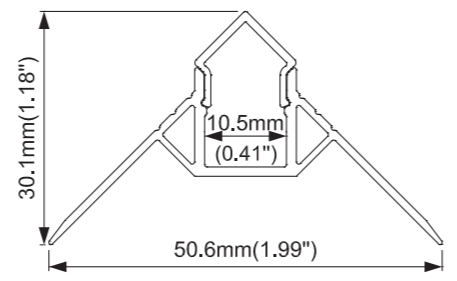
ACCESSORIES



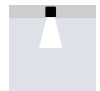
Disposable cover



ALP070-V



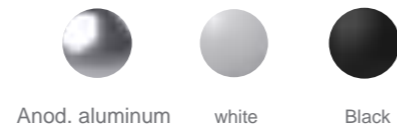
Types of installation:



Material: Extruded aluminum
Dimension: 50.6x30.1mm
Length: MAX 5m
Compatible with 12.5mm drywall



FINISH



END CAPS



End cap with hole
End cap without hole

DIFFUSERS



PC diffused cover

ACCESSORIES



Disposable cover

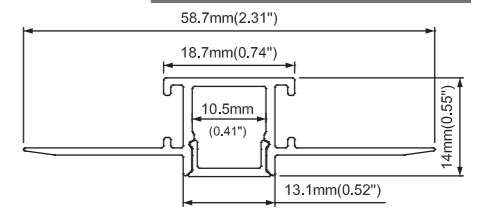
Types of installation:



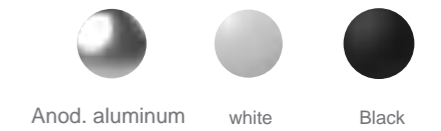
Material: Extruded aluminum
Dimension: 58.7x14mm
Length: MAX 5m
Compatible with 12.5mm drywall



ALP068-R2



FINISH



END CAPS



End cap with hole
End cap without hole

DIFFUSERS



PC diffused cover



Black PC frosted cover

ACCESSORIES



180° Connector



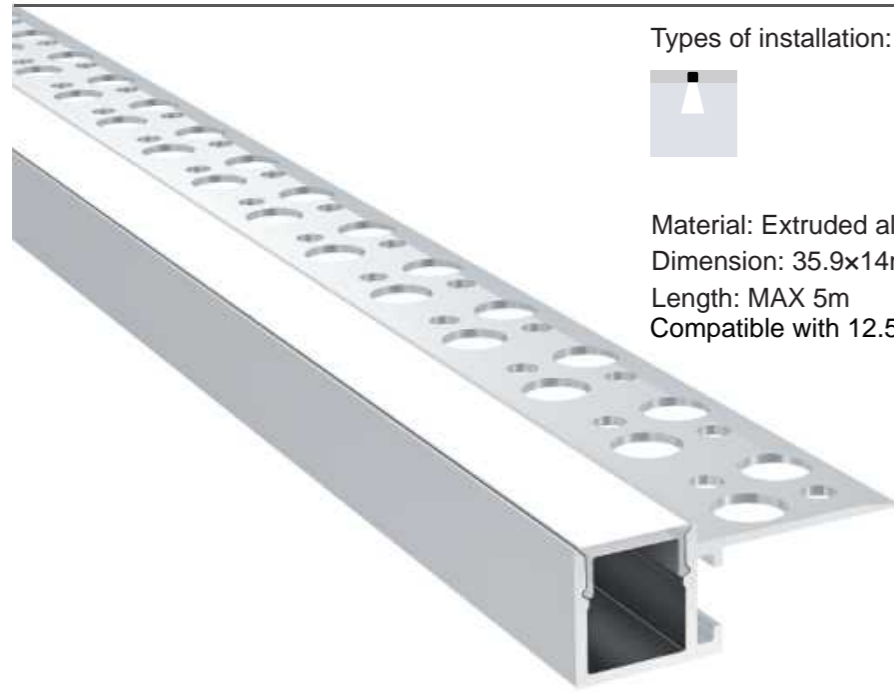
120° Horizontal connector



90° Horizontal connector



Disposable cover

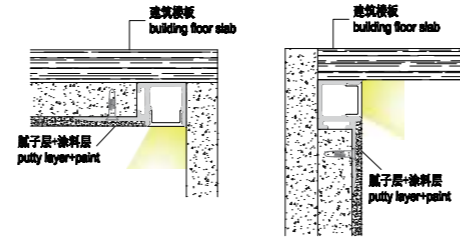
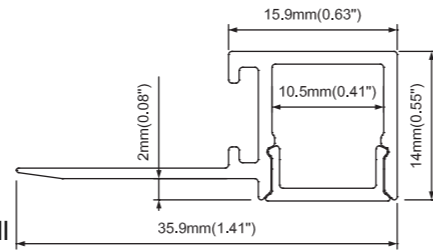


Types of installation:



Material: Extruded aluminum
Dimension: 35.9×14mm
Length: MAX 5m
Compatible with 12.5mm drywall

ALP068-SR1



FINISH



END CAPS



End cap with hole
End cap without hole

DIFFUSERS



PC diffused cover



PMMA clear cover
+Prismatic foil

ACCESSORIES



90° Horizontal connector



90° Vertical connector



180° Connector



Disposable cover

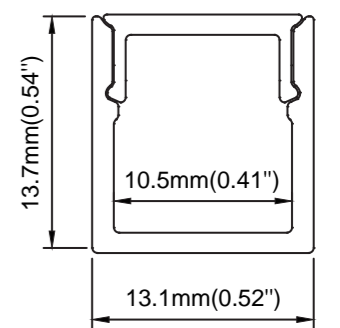


Types of installation:

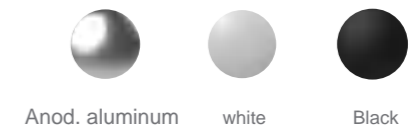


Material: Extruded aluminum
Dimension: 13.1×13.7mm
Length: MAX 5m

ALP068-R3



FINISH



END CAPS



End cap with hole
End cap without hole

DIFFUSERS



PC diffused cover



PMMA clear cover
+Prismatic foil

ACCESSORIES



Mounting clip (metal)

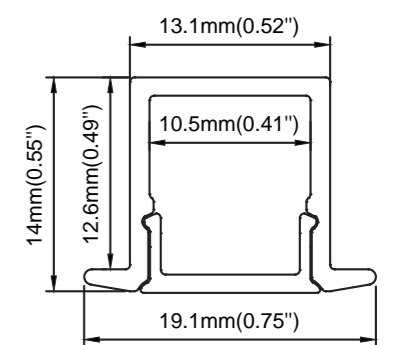


Types of installation:

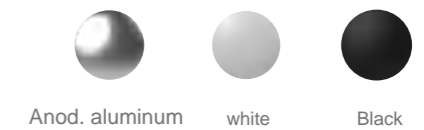


Material: Extruded aluminum
Dimension: 19.1×14mm
Length: MAX 5m

ALP068-R4



FINISH



END CAPS



End cap with hole
End cap without hole

DIFFUSERS



PC diffused cover

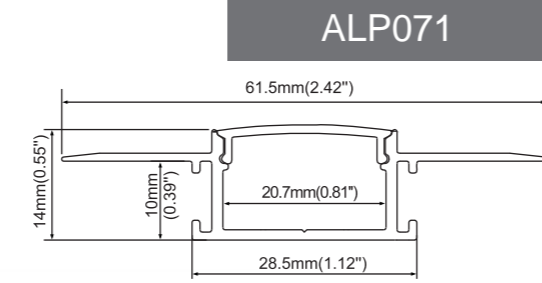
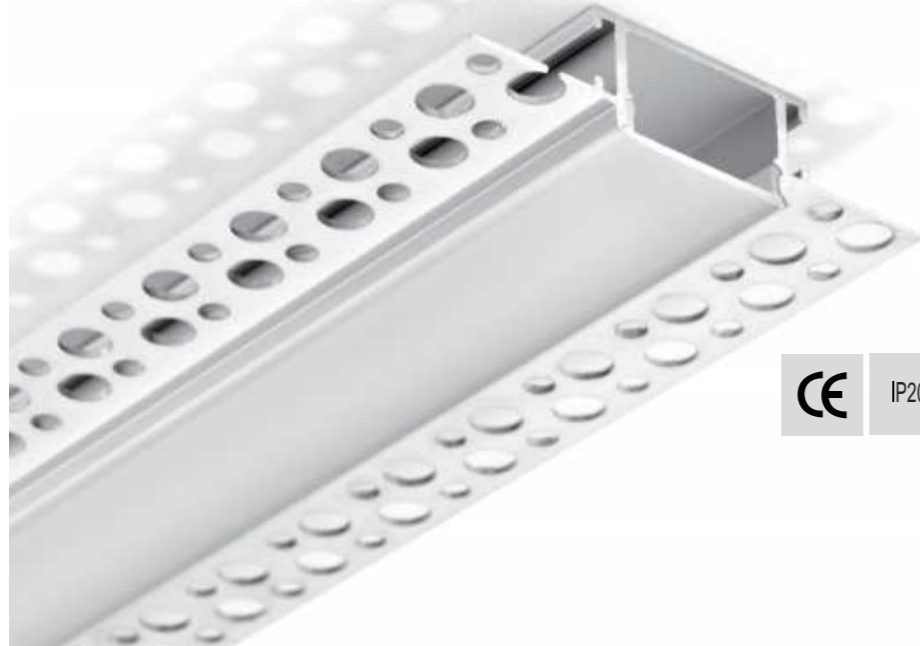


PMMA clear cover
+Prismatic foil

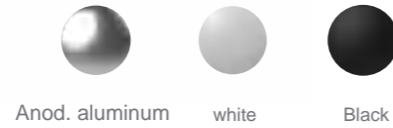
Types of installation:



Material: Extruded aluminum
 Dimension: 61.5x14mm
 Length: MAX 5m
 Compatible with 12.5mm drywall



FINISH

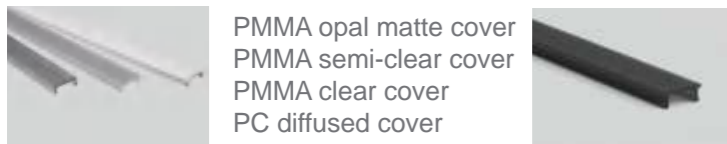


END CAPS



End cap with hole
 End cap without hole

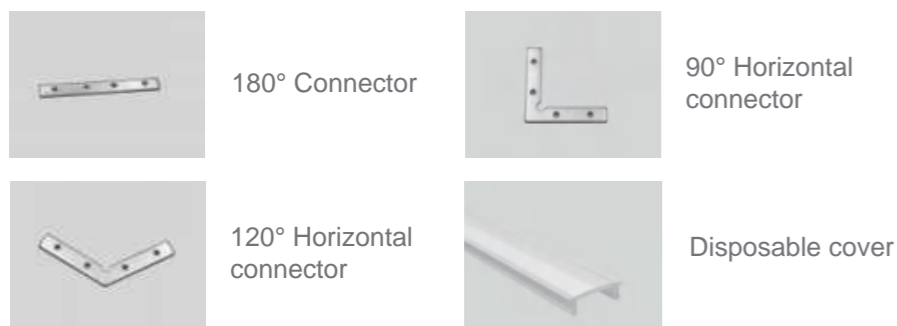
DIFFUSERS



PMMA opal matte cover
 PMMA semi-clear cover
 PMMA clear cover
 PC diffused cover

Black PC
 frosted cover

ACCESSORIES



180° Connector

90° Horizontal
 connector

120° Horizontal
 connector

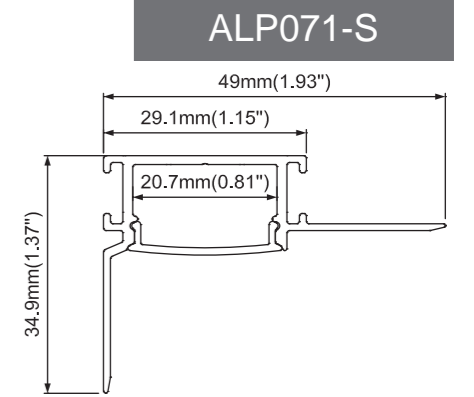
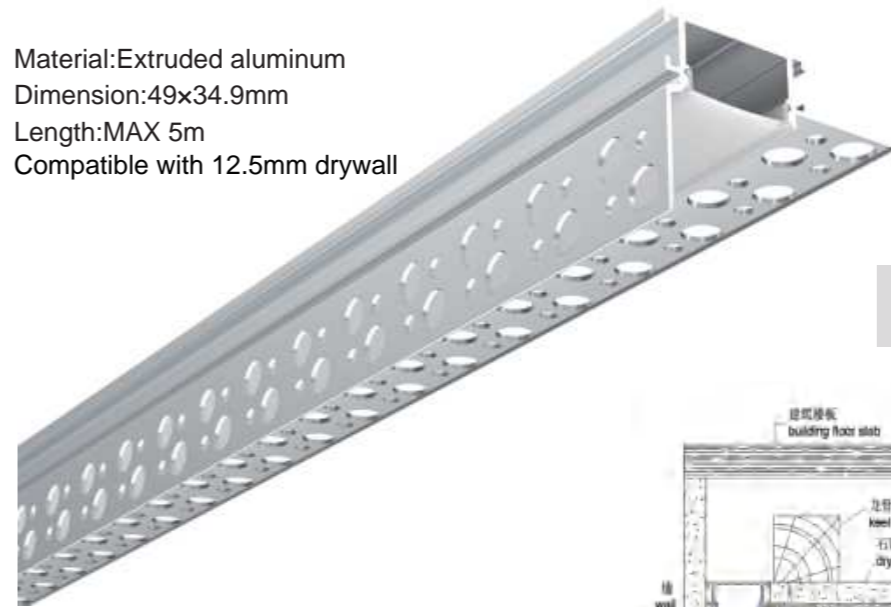
Disposable cover



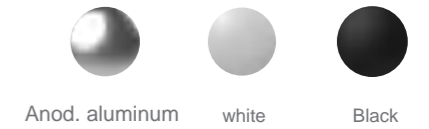
Types of installation:



Material: Extruded aluminum
 Dimension: 49x34.9mm
 Length: MAX 5m
 Compatible with 12.5mm drywall



FINISH



END CAPS



End cap with hole
 End cap without hole

DIFFUSERS



PC diffused cover

ACCESSORIES



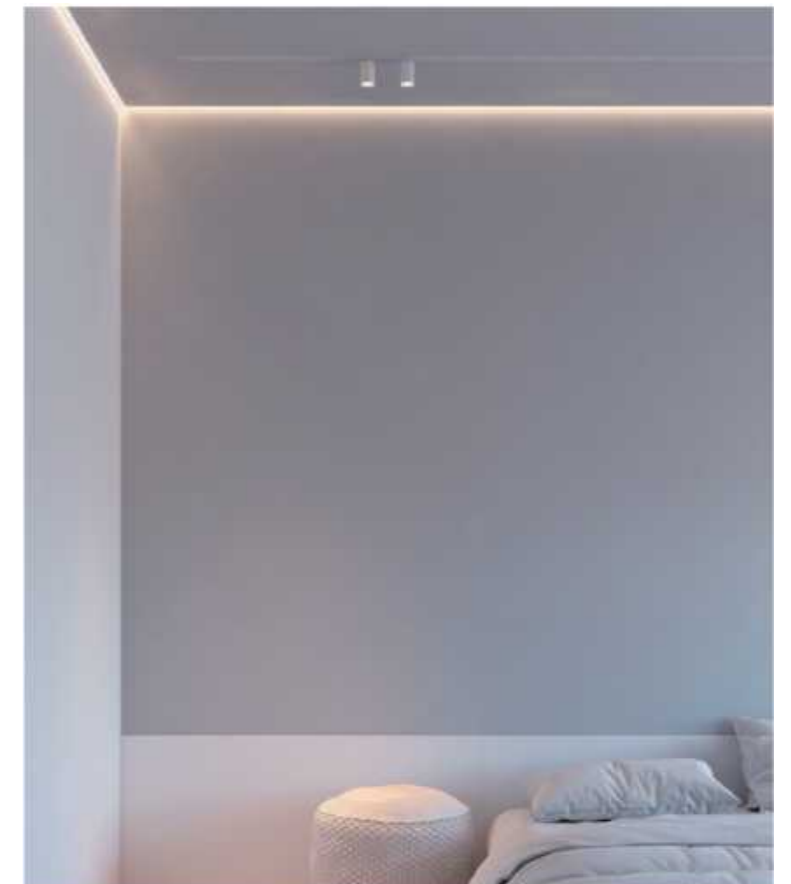
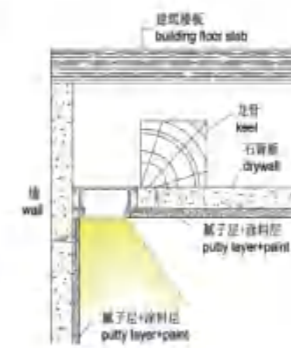
90° Horizontal connector



90° Vertical connector



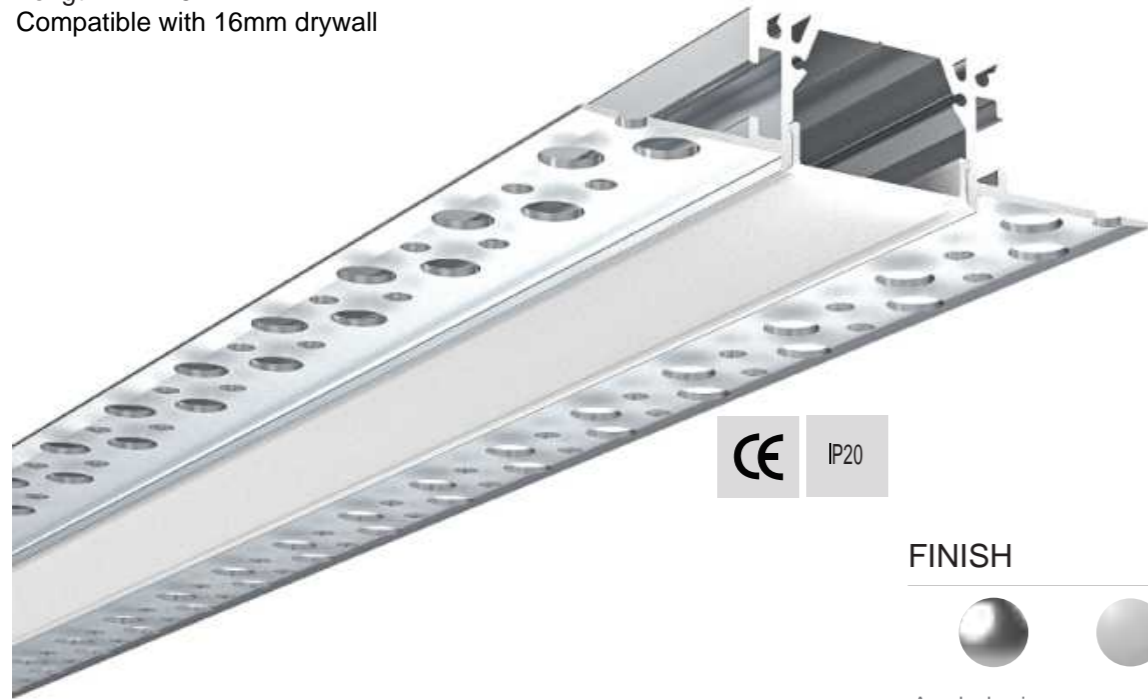
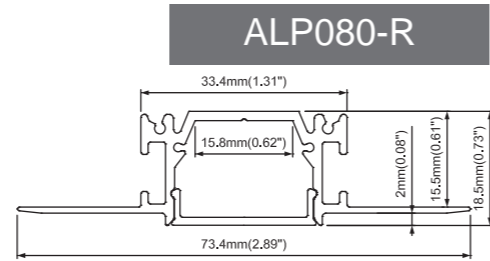
180° Connector



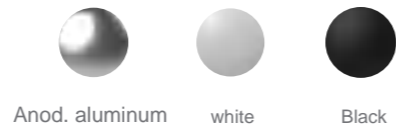
Types of installation:



Material: Extruded aluminum
Dimension: 73.4x18.5mm
Length: MAX 5m
Compatible with 16mm drywall



FINISH



END CAPS



End Caps

DIFFUSERS

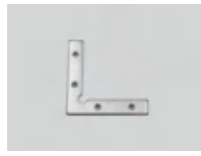


PC diffused cover

ACCESSORIES



180° Connector



90° Horizontal connector



120° Horizontal connector



Disposable cover

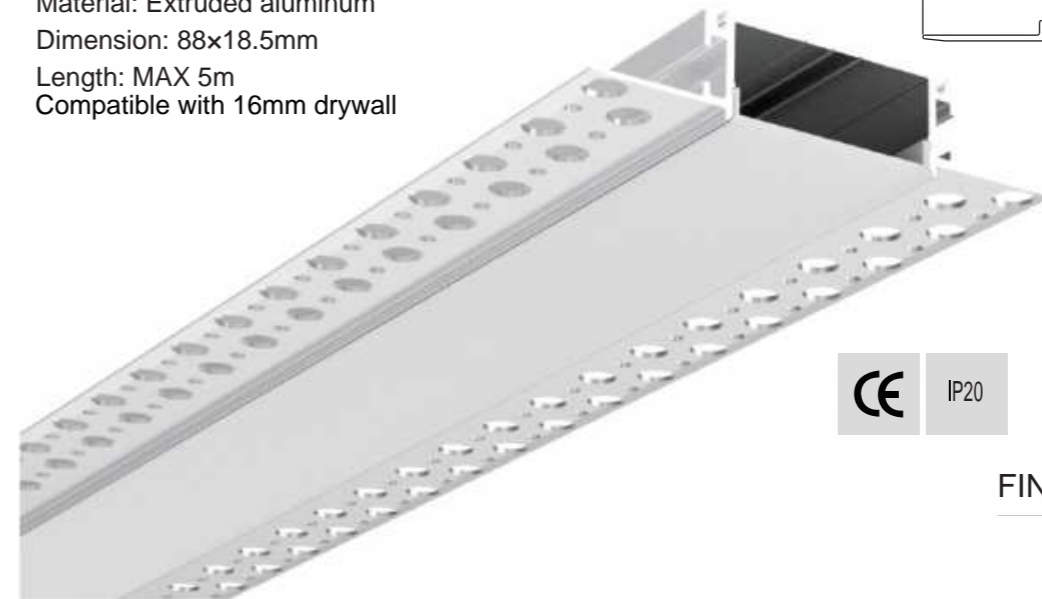
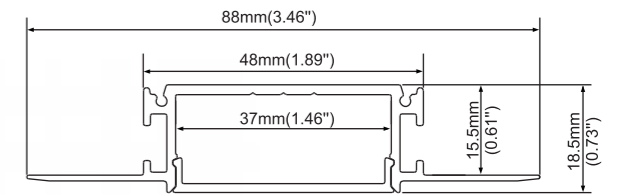


Types of installation:



Material: Extruded aluminum
Dimension: 88x18.5mm
Length: MAX 5m
Compatible with 16mm drywall

ALP081-R



FINISH



END CAPS



End Caps

DIFFUSERS



PC diffused cover

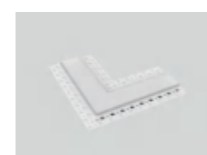
ACCESSORIES



90° Outside connector



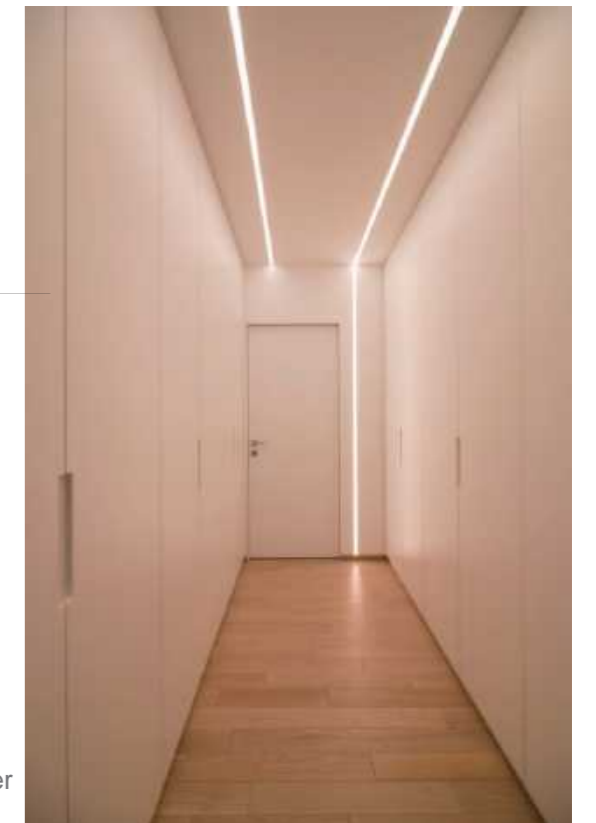
90° Inside connector



L connector



Disposable cover





Types of installation:



Material: Extruded aluminum
Dimension: 18.5x96mm
Length: MAX 5m
Compatible with 16mm drywall



FINISH



white

END CAPS



End Caps

DIFFUSERS



PC diffused cover

ACCESSORIES



180° Connector



90° Horizontal connector



120° Horizontal connector

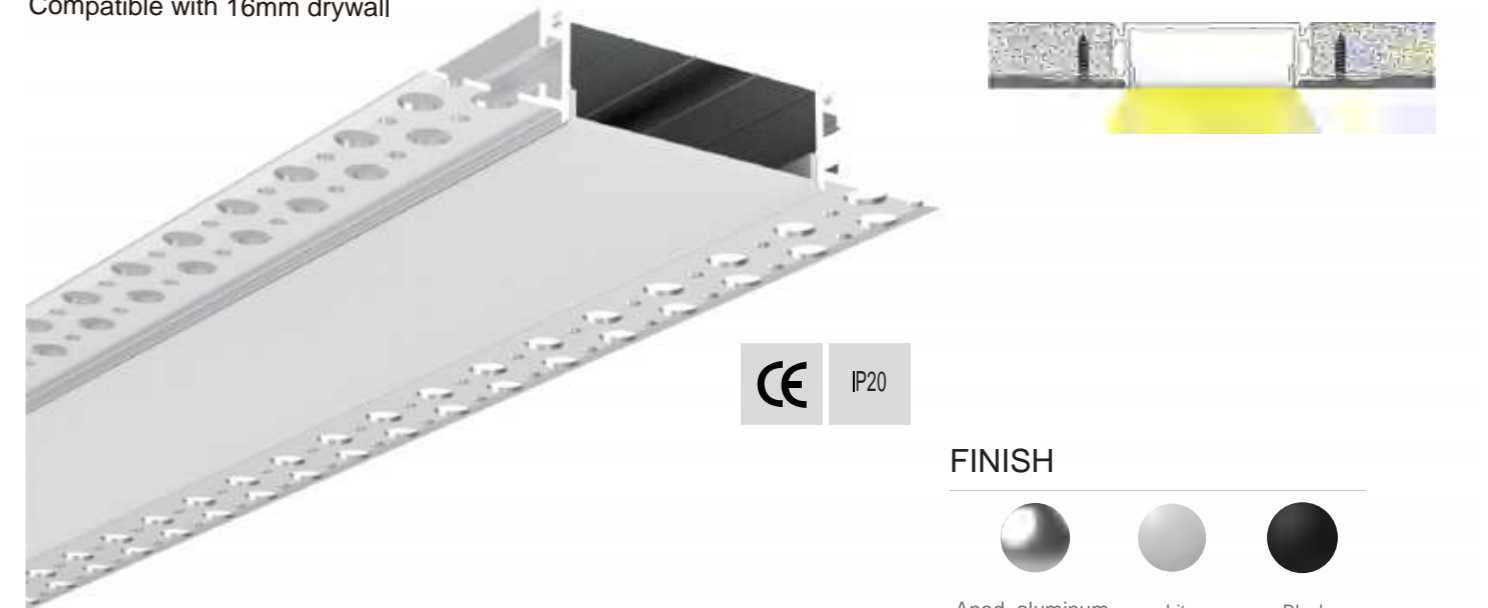


Disposable cover

Types of installation:



Material: Extruded aluminum
Dimension: 98x18.5mm
Length: MAX 5m
Compatible with 16mm drywall



FINISH



Anod. aluminum



white



Black

END CAPS



End cap with hole
End cap without hole

DIFFUSERS



PC diffused cover

ACCESSORIES



180° Connector



90° Horizontal connector



120° Horizontal connector



Disposable cover



ALP085



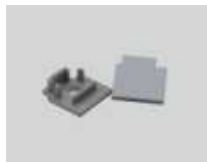
Types of installation:



Material: Extruded aluminum
Dimension: 18.5x119mm
Length: MAX 5m
Compatible with 16mm drywall

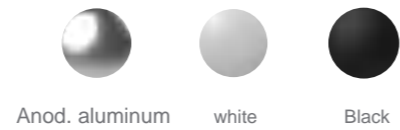


END CAPS



End cap with hole
End cap without hole

FINISH



Anod. aluminum white Black

DIFFUSERS



PC diffused cover

ACCESSORIES



180° Connector



90° Horizontal connector



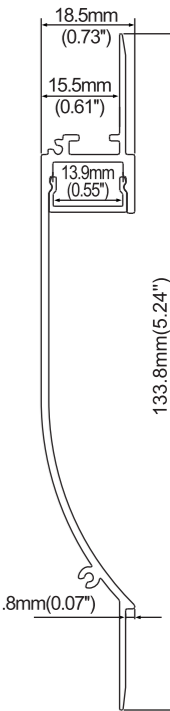
120° Horizontal connector



Disposable cover



ALP086



Types of installation:



Material: Extruded aluminum
Dimension: 18.5x113.8mm
Length: MAX 5m
Compatible with 16mm drywall



END CAPS



End Caps

FINISH



white

DIFFUSERS

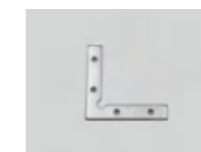


PC diffused cover

ACCESSORIES



180° Connector



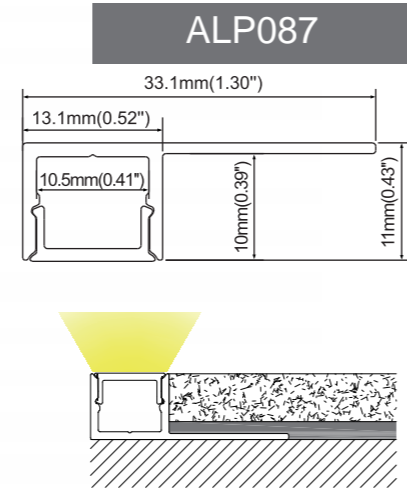
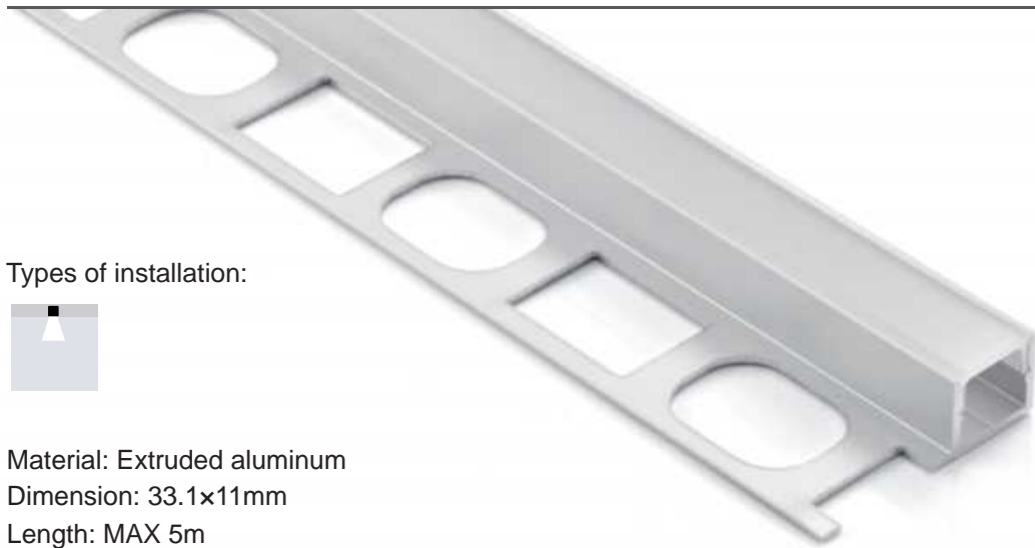
90° Horizontal connector



120° Horizontal connector



Disposable cover



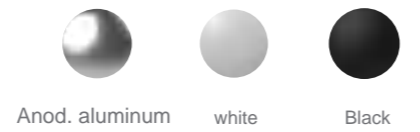
Types of installation:



Material: Extruded aluminum
Dimension: 33.1x11mm
Length: MAX 5m
Compatible with 10mm tile



FINISH



END CAPS



End cap with hole
End cap without hole

DIFFUSERS

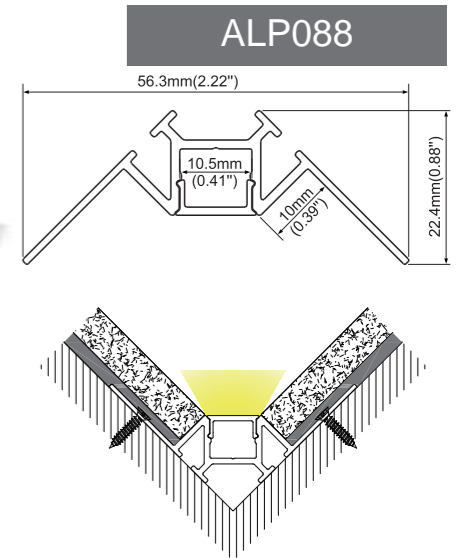
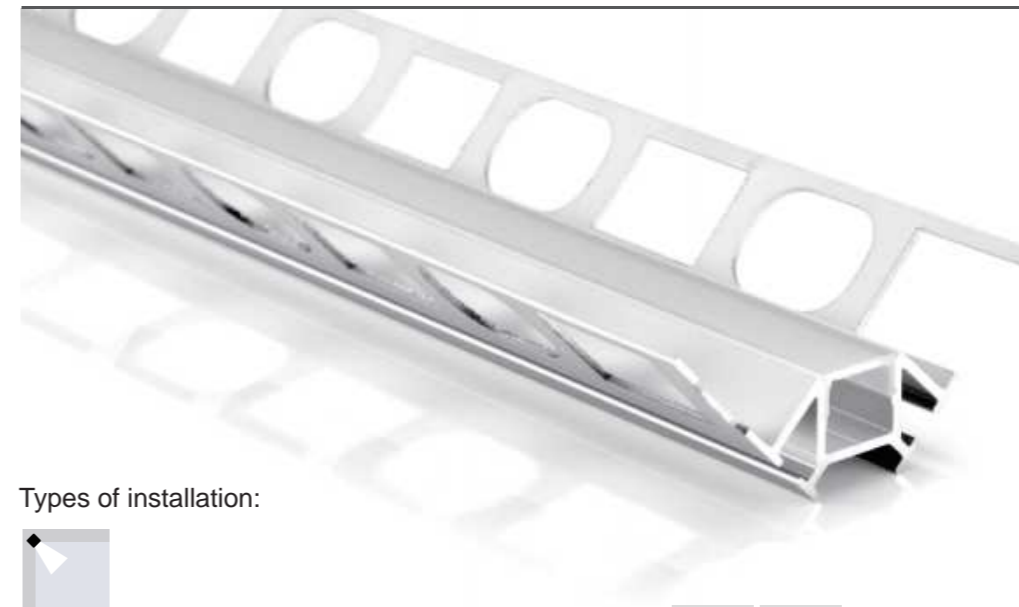


PC diffused cover

ACCESSORIES



Disposable cover



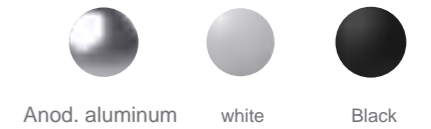
Types of installation:



Material: Extruded aluminum
Dimension: 56.3x22.4mm
Length: MAX 5m
Compatible with 10mm tile



FINISH



END CAPS



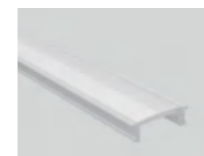
End cap with hole
End cap without hole

DIFFUSERS

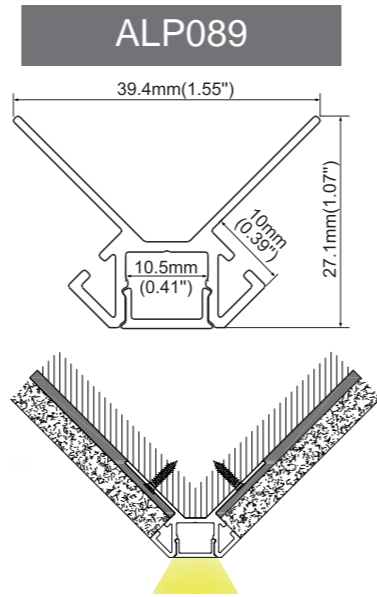


PC diffused cover

ACCESSORIES



Disposable cover



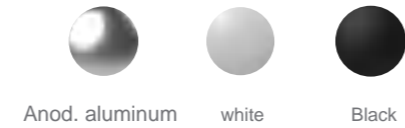
Types of installation:



Material: Extruded aluminum
Dimension: 39.4x27.1mm
Length: MAX 5m
Compatible with 10mm tile



FINISH



END CAPS



End cap with hole
End cap without hole

DIFFUSERS



PC diffused cover

ACCESSORIES

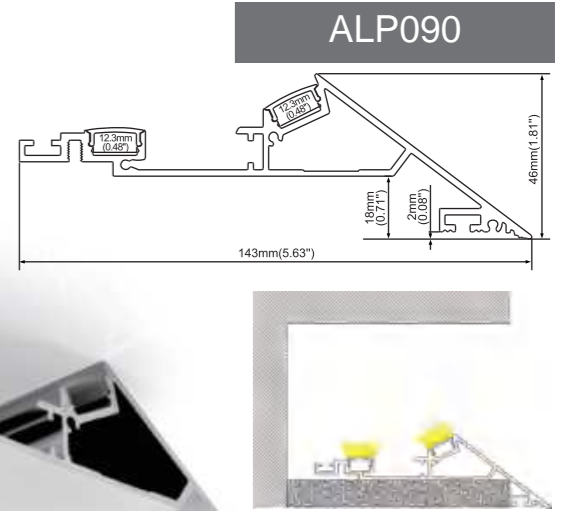


Disposable cover

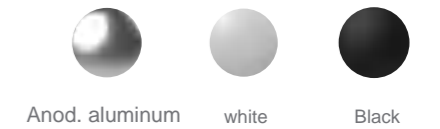
Types of installation:



Material: Extruded aluminum
Dimension: 143x46mm
Length: MAX 5m
Compatible with 16mm drywall



FINISH



END CAPS



End Caps

DIFFUSERS



PMMA opal matte cover
PMMA semi clear cover
PMMA clear cover

ACCESSORIES



180° Connector



90° Horizontal connector



120° Horizontal connector



ALP091

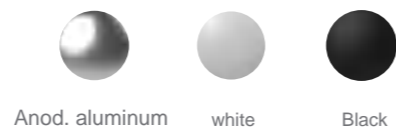
Types of installation:



Material: Extruded aluminum
Dimension: 77.8x33.7mm
Length: MAX 5m
Compatible with 16mm drywall



FINISH



END CAPS



End Caps

DIFFUSERS



PMMA opal matte cover
PMMA semi clear cover
PMMA clear cover

ACCESSORIES



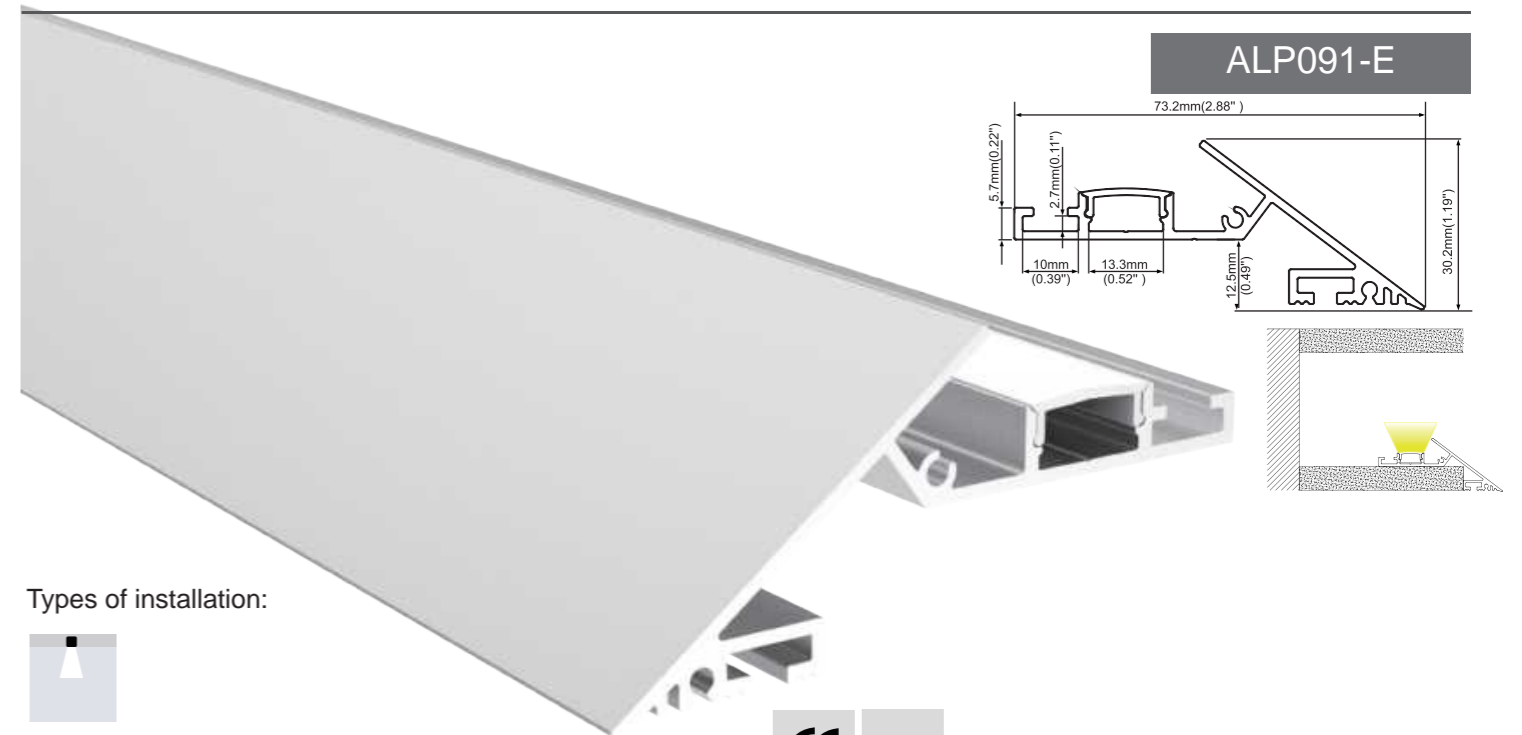
180° Connector



90° Horizontal connector



120° Horizontal connector



ALP091-E

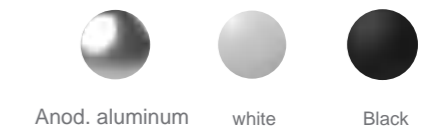
Types of installation:



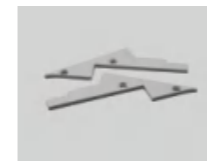
Material: Extruded aluminum
Dimension: 73.2x30.2mm
Length: MAX 5m
Compatible with 12.5mm drywall



FINISH



END CAPS



End Caps

DIFFUSERS



PMMA opal matte cover
PMMA semi clear cover
PMMA clear cover

ACCESSORIES



180° Connector



120° Horizontal connector



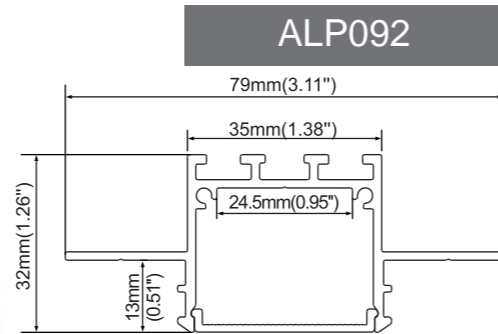
90° Horizontal connector



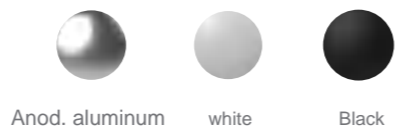
Types of installation:



Material: Extruded aluminum
 Dimension: 79x32mm
 Length: MAX 5m
 Compatible with 12.5mm drywall



FINISH



END CAPS

DIFFUSERS



End Caps



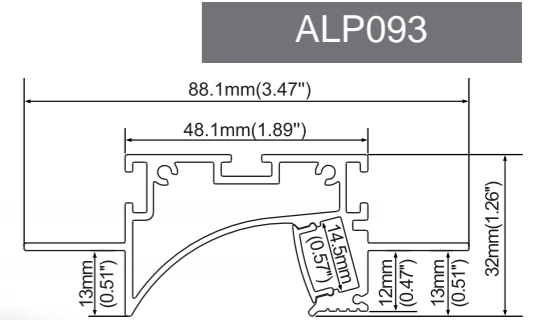
PC diffused cover



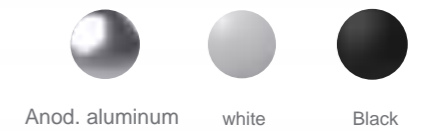
Types of installation:



Material: Extruded aluminum
 Dimension: 88.1x32mm
 Length: MAX 5m
 Compatible with 12.5mm drywall



FINISH



END CAPS



End Caps

DIFFUSERS



PMMA opal matte cover
 PMMA semi clear cover
 PMMA clear cover

ACCESSORIES



180° Connector



90° Horizontal connector

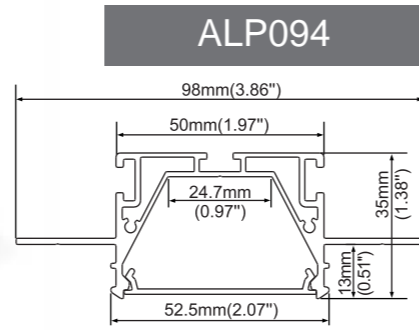


120° Horizontal connector

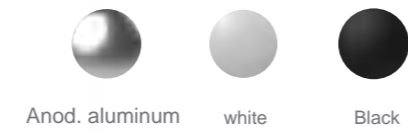
Types of installation:



Material: Extruded aluminum
 Dimension: 98x35mm
 Length: MAX 5m
 Compatible with 12.5mm drywall



FINISH



END CAPS



End Caps

DIFFUSERS



PC diffused cover

ACCESSORIES



180° Connector



90° Horizontal connector

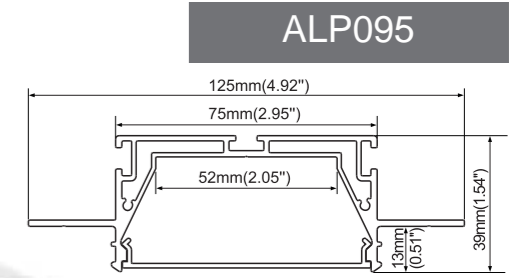


120° Horizontal connector

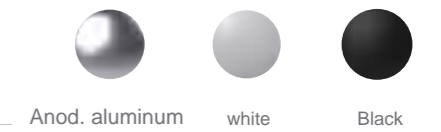
Types of installation:



Material: Extruded aluminum
 Dimension: 125x39mm
 Length: MAX 5m
 Compatible with 12.5mm drywall



FINISH



END CAPS



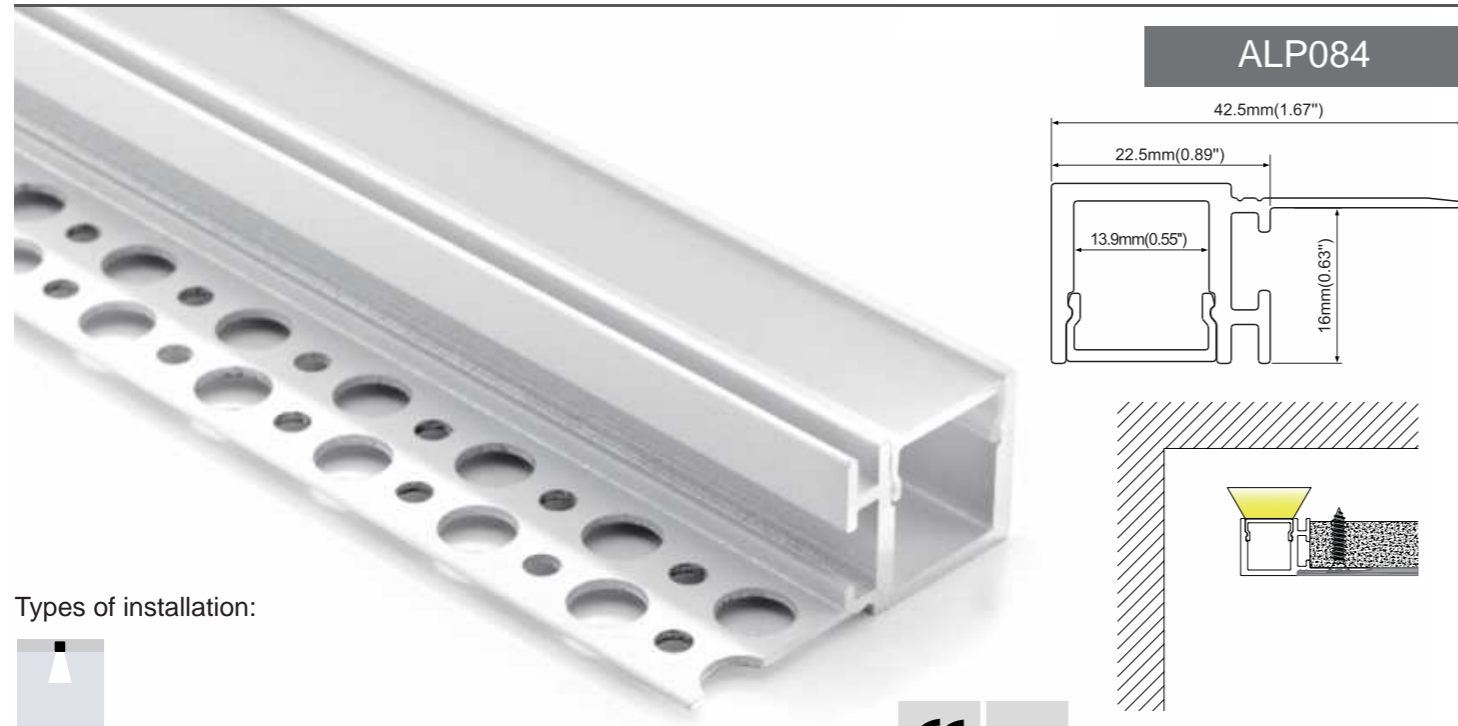
End Caps

DIFFUSERS



PC diffused cover





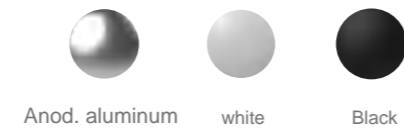
Types of installation:



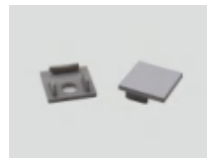
Material: Extruded aluminum
Dimension: 42.5×16mm
Length: MAX 5m
Compatible with 16mm drywall



FINISH



END CAPS



End cap with hole
End cap without hole

DIFFUSERS



PC diffused cover

ACCESSORIES

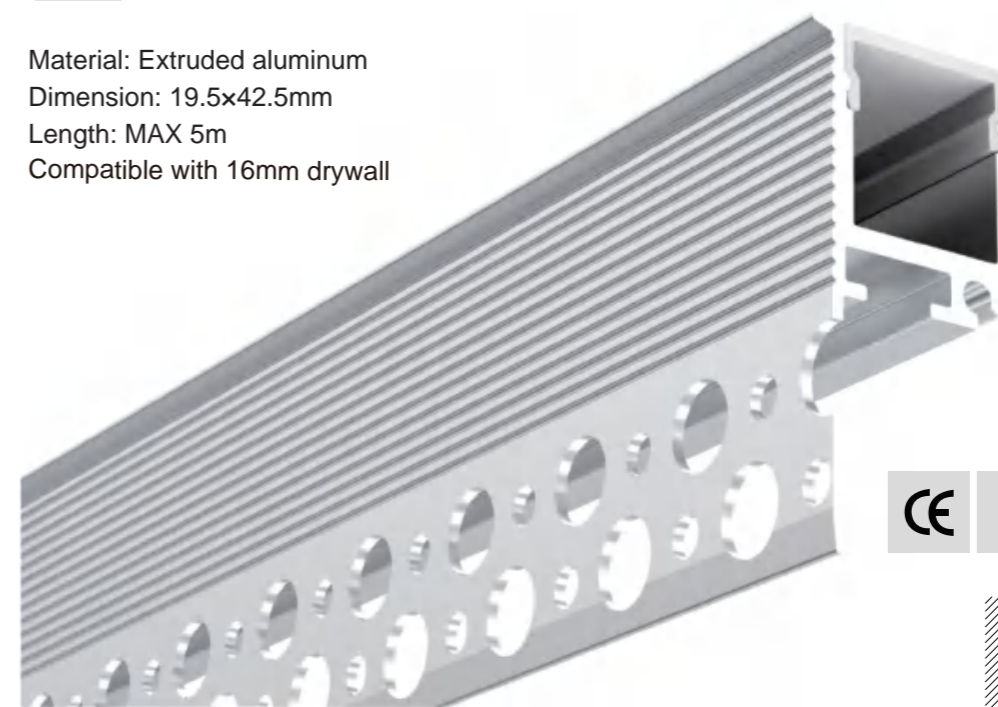


Disposable cover

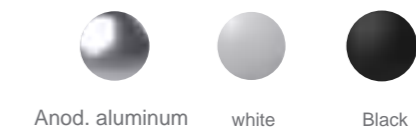
Types of installation:



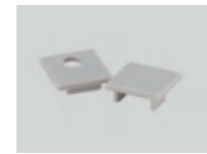
Material: Extruded aluminum
Dimension: 19.5×42.5mm
Length: MAX 5m
Compatible with 16mm drywall



FINISH



END CAPS



End cap with hole
End cap without hole

DIFFUSERS



PC diffused cover

ACCESSORIES



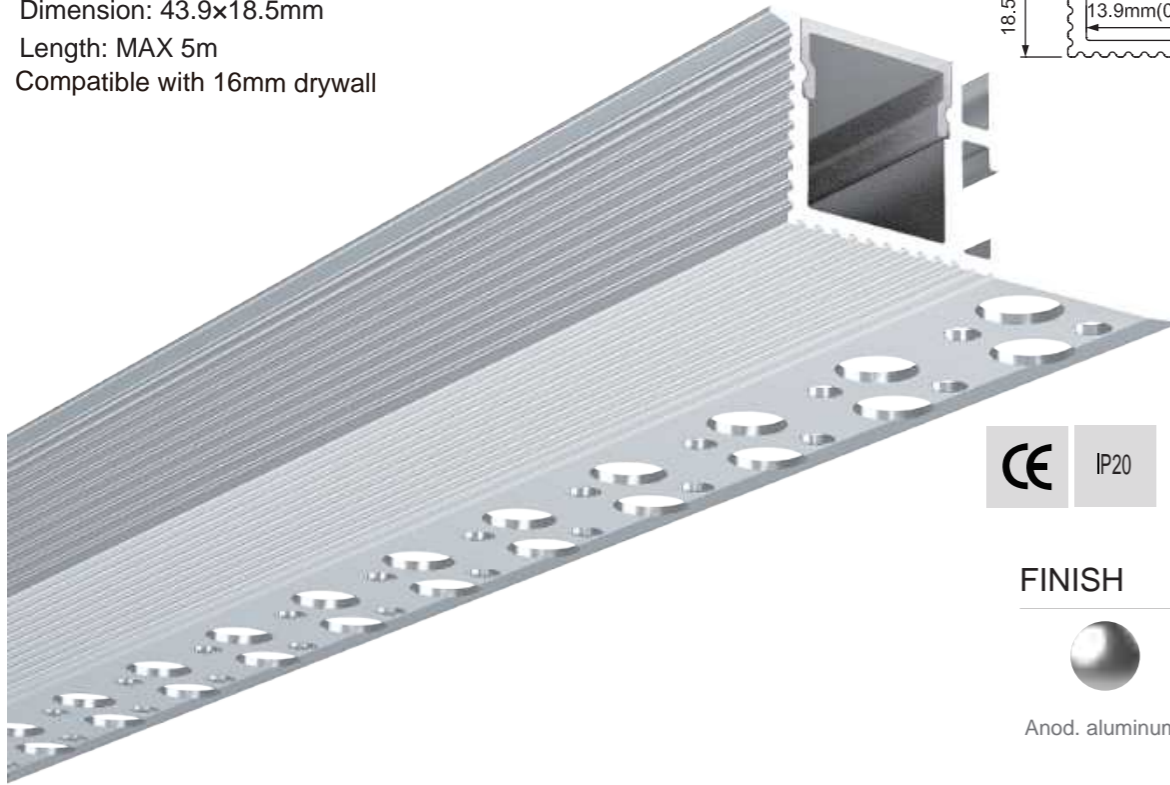
Disposable cover



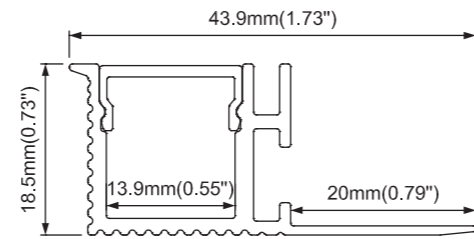
Types of installation:



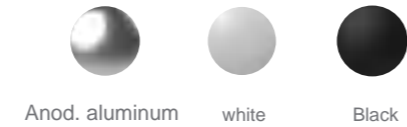
Material: Extruded aluminum
Dimension: 43.9x18.5mm
Length: MAX 5m
Compatible with 16mm drywall



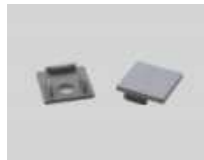
ALP084-R



FINISH



END CAPS



End cap with hole
End cap without hole

DIFFUSERS



PC diffused cover

ACCESSORIES

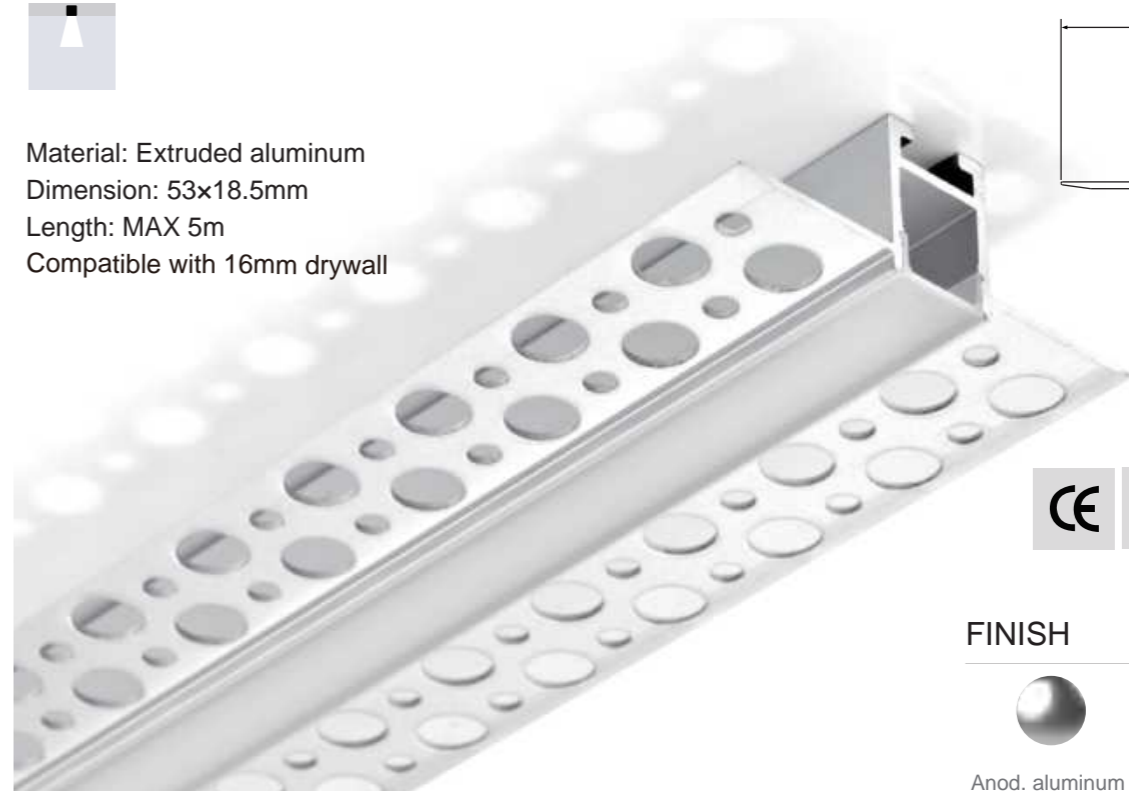


Disposable cover

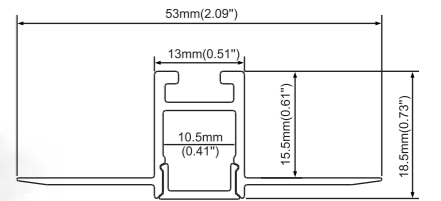
Types of installation:



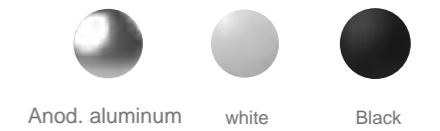
Material: Extruded aluminum
Dimension: 53x18.5mm
Length: MAX 5m
Compatible with 16mm drywall



ALP079



FINISH



END CAPS



End cap with hole
End cap without hole

DIFFUSERS



PC diffused cover

ACCESSORIES




90° Horizontal connector



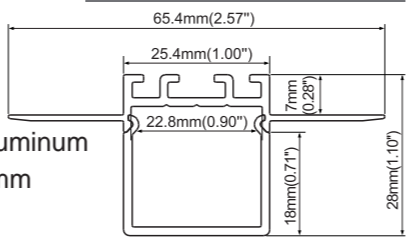
180° Connector



Disposable cover

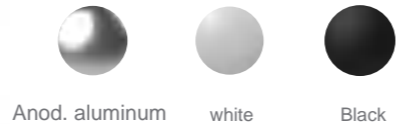
Types of installation: 

ALP110-S



Material: Extruded aluminum
Dimension: 65.4x28mm
Length: MAX 5m
Compatible with 12.5mm drywall

FINISH

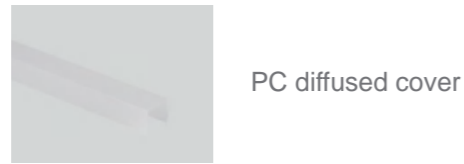


Anod. aluminum white Black

END CAPS



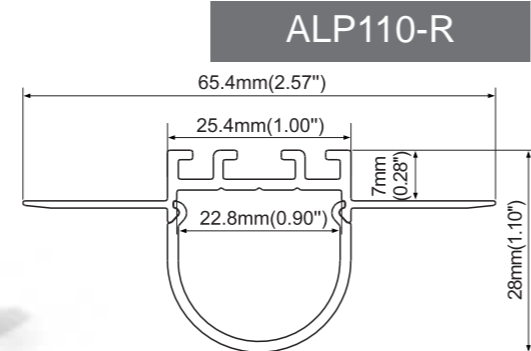
DIFFUSERS



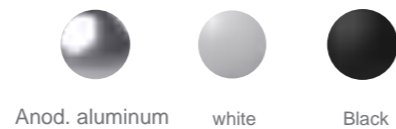
Types of installation:



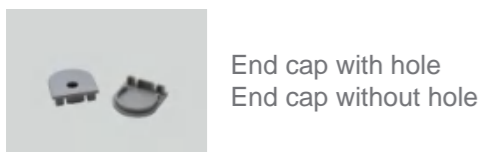
Material: Extruded aluminum
Dimension: 65.4x28mm
Length: MAX 5m
Compatible with 12.5mm drywall



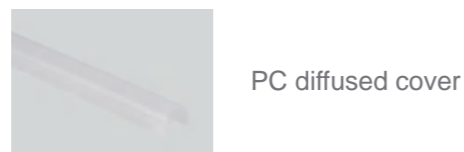
FINISH




END CAPS

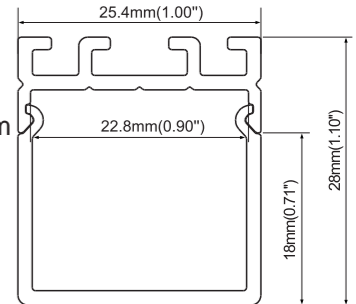


DIFFUSERS



Types of installation: 

ALP111-S



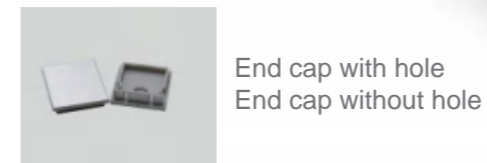
Material: Extruded aluminum
Dimension: 25.4x28mm
Length: MAX 5m

FINISH



Anod. aluminum white Black

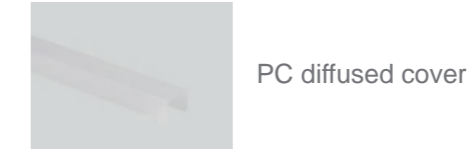
END CAPS

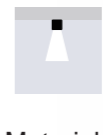


ACCESSORIES

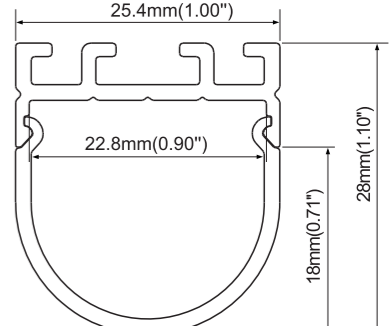


DIFFUSERS



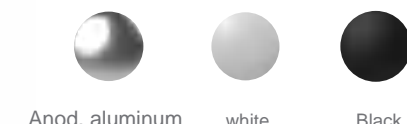
Types of installation: 

ALP111-R



Material: Extruded aluminum
Dimension: 25.4x28mm
Length: MAX 5m

FINISH

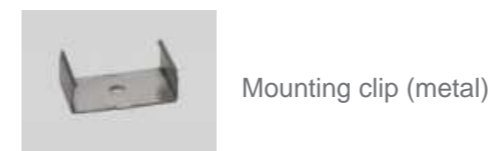


Anod. aluminum white Black

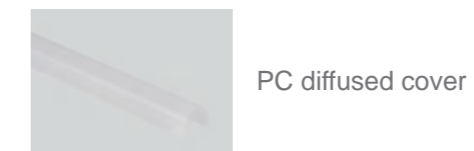
END CAPS

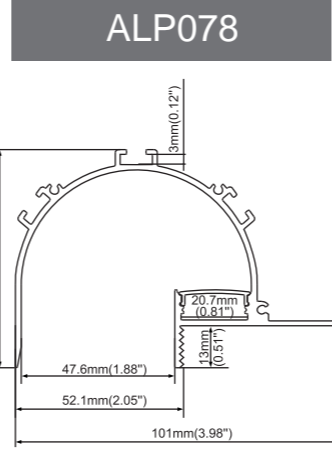


ACCESSORIES



DIFFUSERS





Types of installation:



Material: Extruded aluminum
Dimension: 101x67.8mm
Length: MAX 5m
Compatible with 12.5mm drywall



FINISH



white

END CAPS



End Caps

DIFFUSERS



PC diffused cover

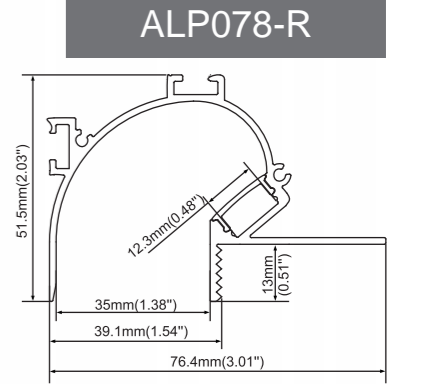
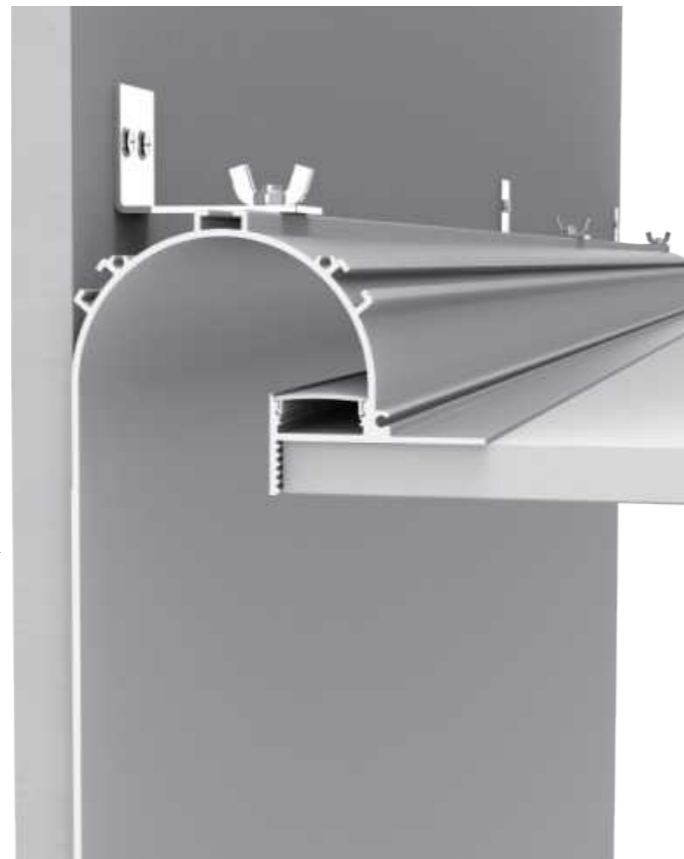
ACCESSORIES



Clip for ceiling



Clip for wall



Types of installation:



Material: Extruded aluminum
Dimension: 76.4x51.5mm
Length: MAX 5m
Compatible with 12.5mm drywall



FINISH



white

END CAPS



End Caps

DIFFUSERS



PC diffused cover

ACCESSORIES



Clip for wall

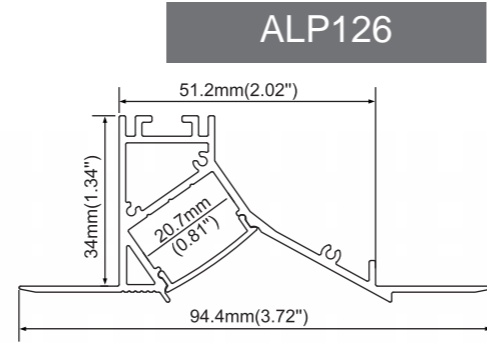
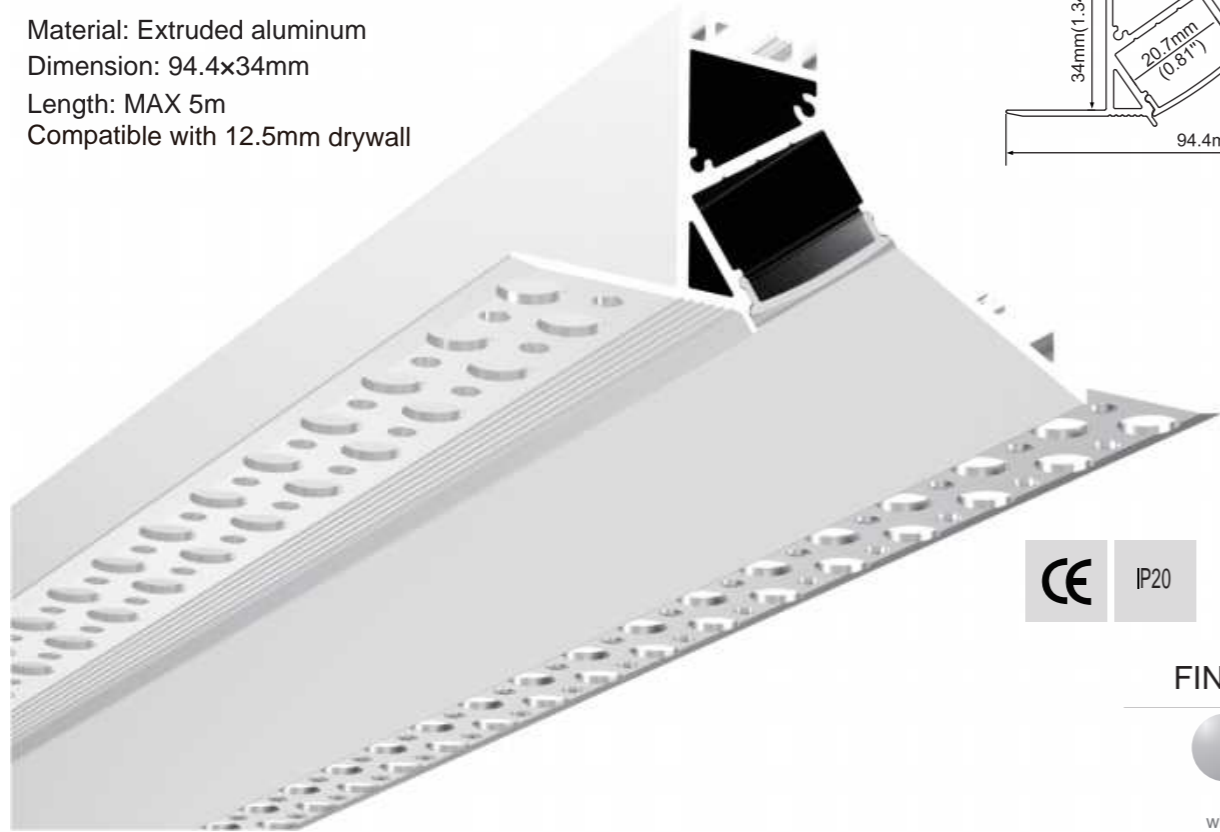


Clip for ceiling

Types of installation:



Material: Extruded aluminum
Dimension: 94.4x34mm
Length: MAX 5m
Compatible with 12.5mm drywall



FINISH



white

END CAPS



End cap with hole
End cap without hole

DIFFUSERS



PC diffused cover
PC semi clear cover

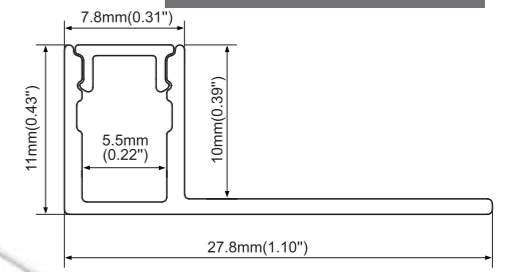
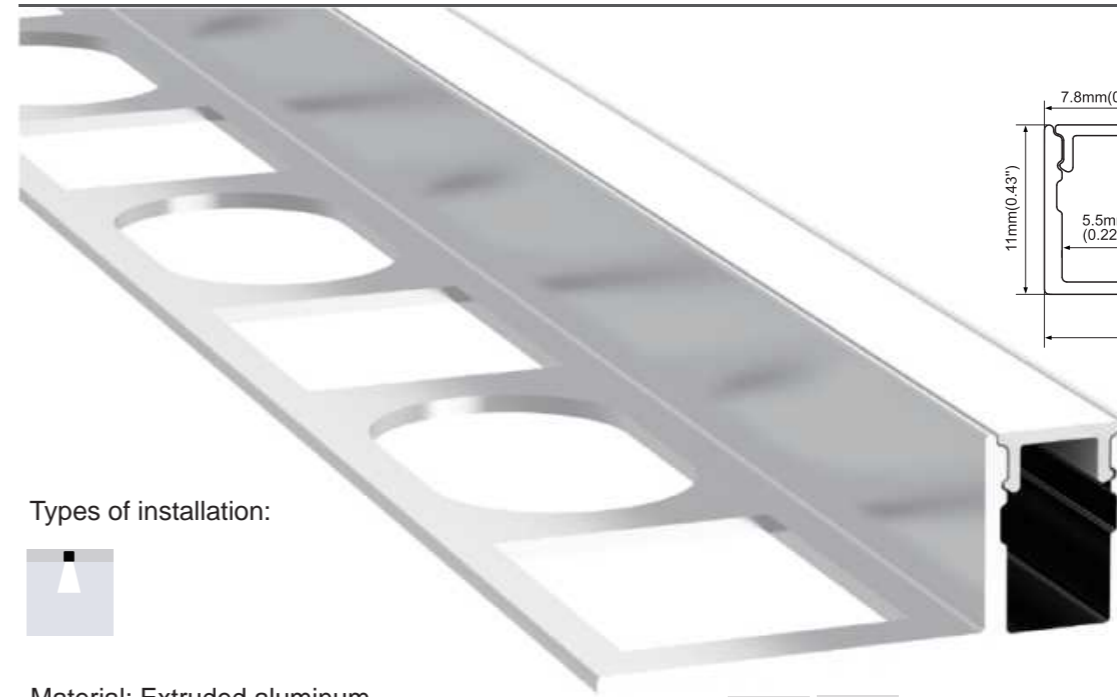
ACCESSORIES



Disposable cover



ALP130



Types of installation:



Material: Extruded aluminum
Dimension: 27.8x11mm
Length: MAX 5m
Compatible with 10mm tile



FINISH



Anod. aluminum



white



Black

END CAPS



End cap with hole
End cap without hole

DIFFUSERS

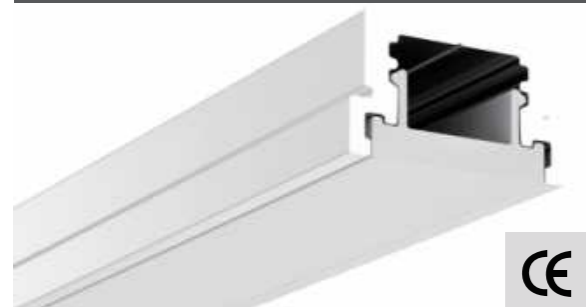


PC frosted cover


ACCESSORIES



Disposable cover

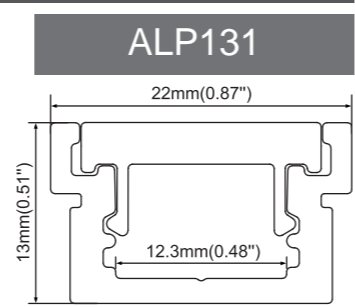


Types of installation:

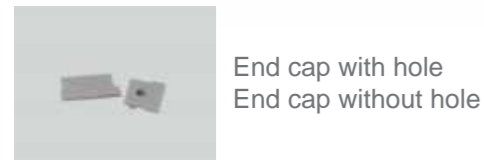


Material: Extruded aluminum
Dimension: 22x13mm
Length: MAX 5m

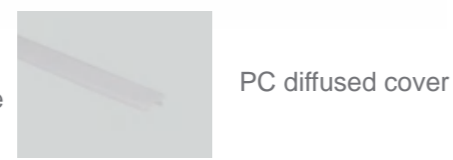
CE IP20



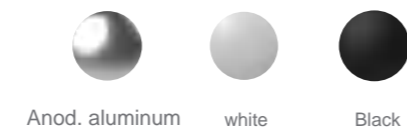

END CAPS




DIFFUSERS



FINISH

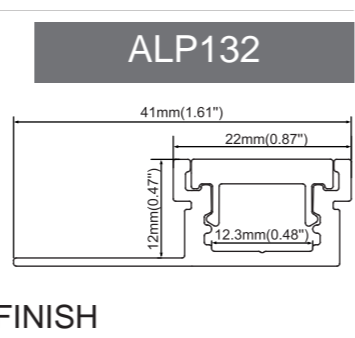



Types of installation:

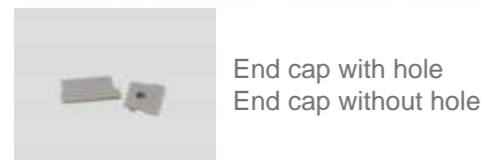


Material: Extruded aluminum
Dimension: 41x13mm
Length: MAX 5m
Compatible with: 10mm tile

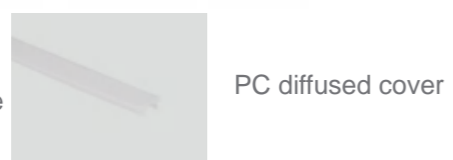
CE IP20



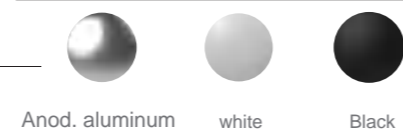
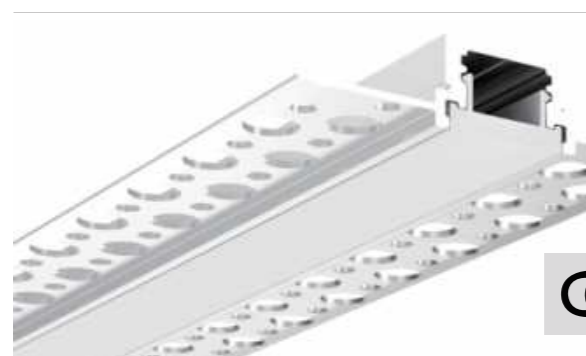
END CAPS




DIFFUSERS



FINISH

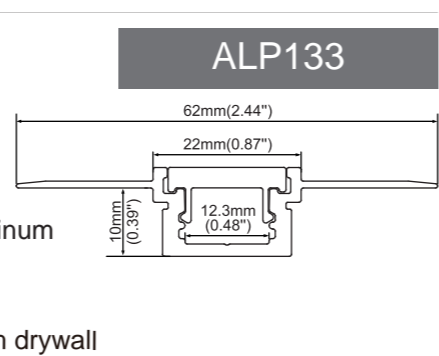



Types of installation:

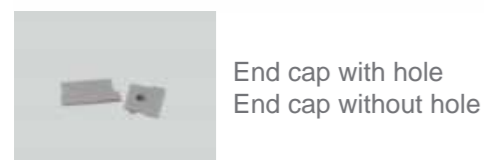


Material: Extruded aluminum
Dimension: 62x13mm
Length: MAX 5m
Compatible with: 12.5mm drywall

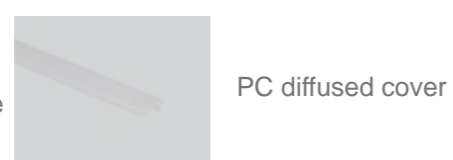
CE IP20



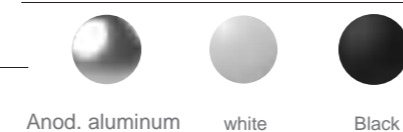
END CAPS



DIFFUSERS



FINISH

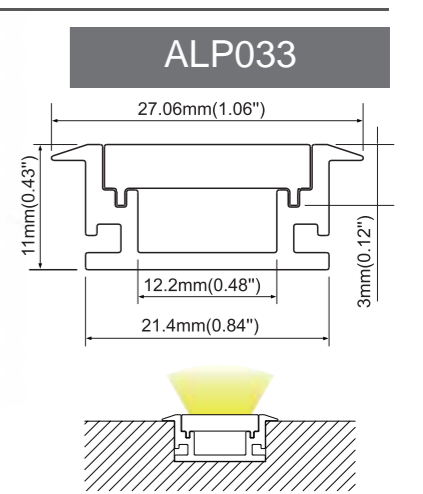



Types of installation:



Material: Extruded aluminum
Dimension: 27.06x11mm
Length: MAX 5m

CE IP20



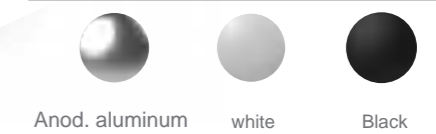

END CAPS



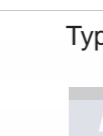
DIFFUSERS



FINISH

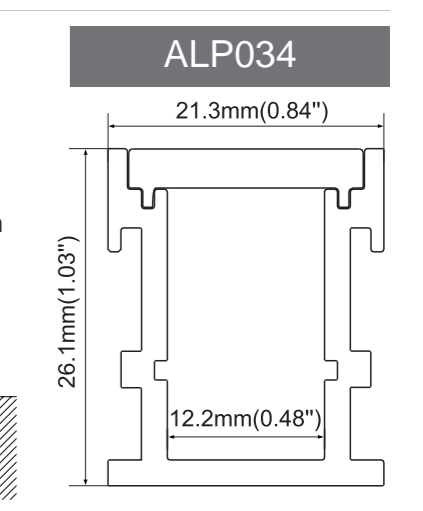



Types of installation:

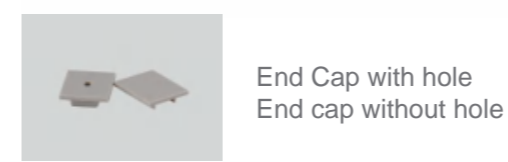


Material: Extruded aluminum
Dimension: 21.3x26.1mm
Length: MAX 5m

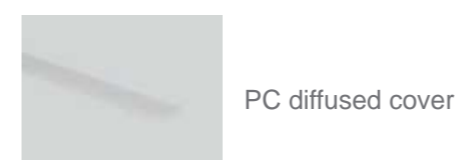
CE IP20



END CAPS



DIFFUSERS

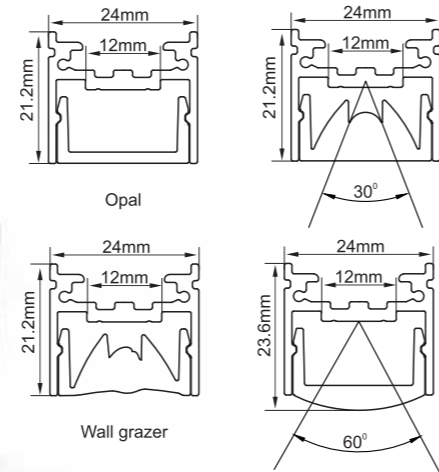


FINISH





ALP141



Types of installation:



Material: Extruded aluminum
Dimension: 24x21.2mm
Length: MAX 5m

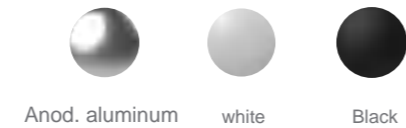


END CAPS



End Caps

FINISH



DIFFUSERS



PC diffused cover



PMMA lens cover

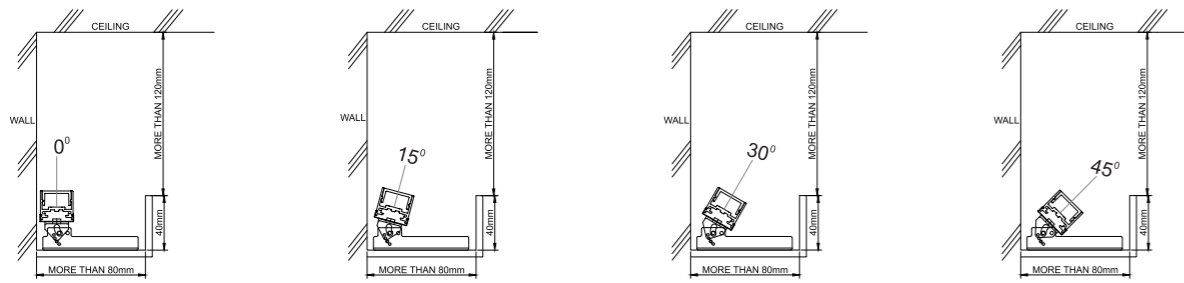
ACCESSORIES



Mounting clip (metal)



Adjustable bracket



0° Adjustable



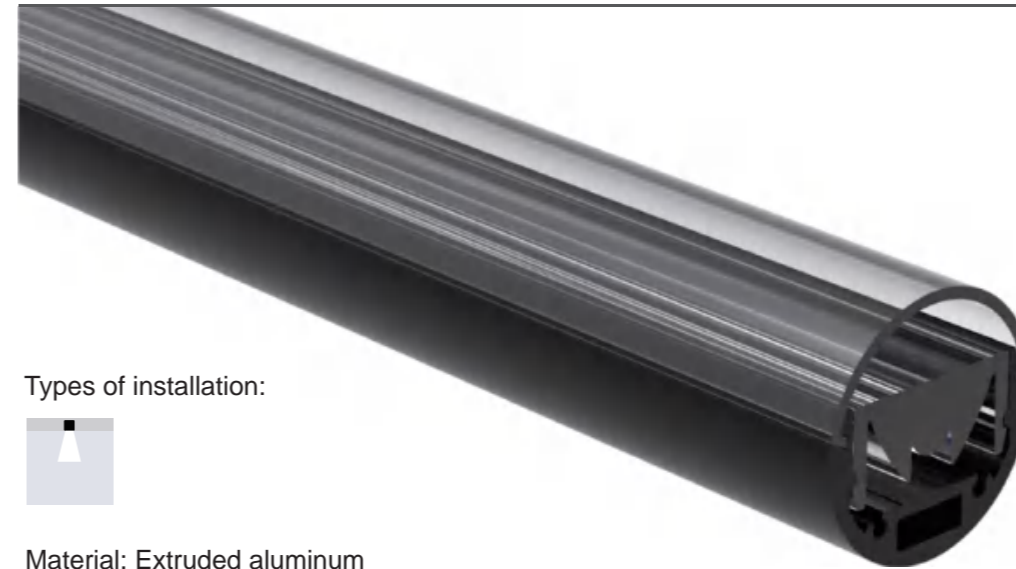
15° Adjustable



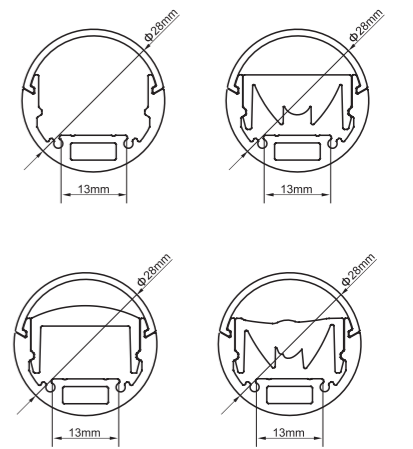
30° Adjustable



45° Adjustable



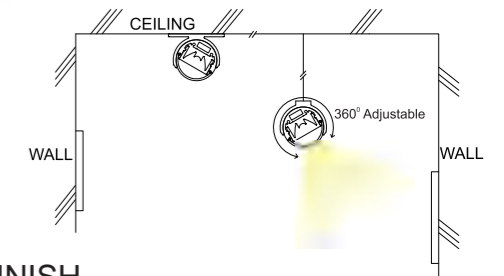
ALP142



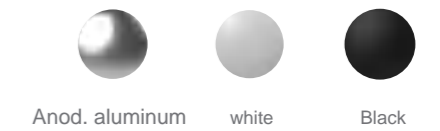
Types of installation:



Material: Extruded aluminum
Dimension: $\varnothing 28$ mm
Length: MAX 5m



FINISH



END CAPS



End Caps



Hanging end caps

DIFFUSERS



PC diffused cover



PC clear cover



PMMA lens cover

ACCESSORIES



Black PC clip



Clear PC clip



Steel wire



Types of installation:



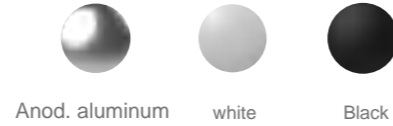
Material: Extruded aluminum
Dimension: 41.2x5.8mm
Length: MAX 5m

END CAPS



End Caps

FINISH



DIFFUSERS



PC diffused cover

ACCESSORIES



Black PC clip



90° Horizontal connector



Clear PC clip



180° Connector



0° Adjustable



15° Adjustable



30° Adjustable



45° Adjustable



Types of installation:



Material: Extruded aluminum
Dimension: 106x49mm
Length: MAX 5m

END CAPS



End Caps

DIFFUSERS



PC diffused cover

ACCESSORIES



Black PC clip



90° Horizontal connector

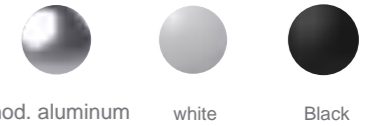


Clear PC clip



180° Connector

FINISH



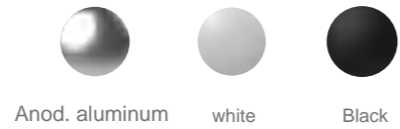
Types of installation:



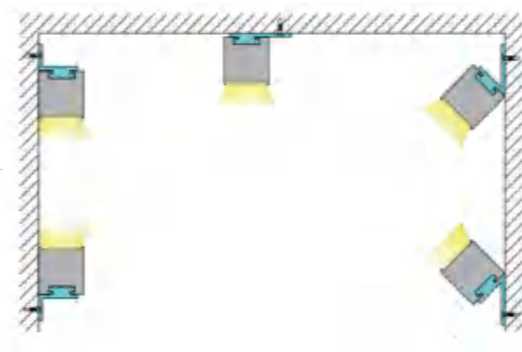
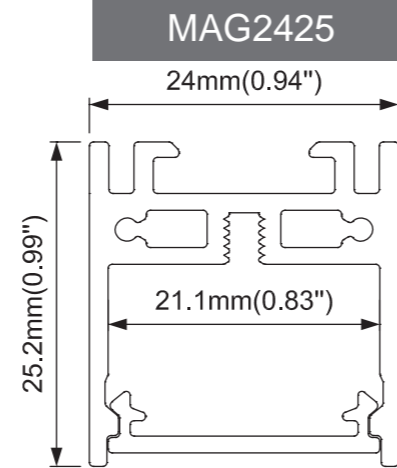
Material: Extruded aluminum
Dimension: 24x25.2mm
Length: MAX 5m



FINISH



Anod. aluminum white Black



END CAPS



End Caps

DIFFUSERS



PC frosted cover



PMMA clear cover
+Prismatic foil



Lens 15°/Symmetrical
Wall washer

ACCESSORIES



Black Reflector 30° or 55°
LEDiL



Surface clip



White Reflector 30° or 55°



T-bar clip



Chrome Reflector 30° or 55°



Steel wire



Hanging clip

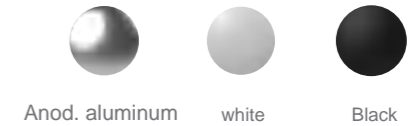
Types of installation:



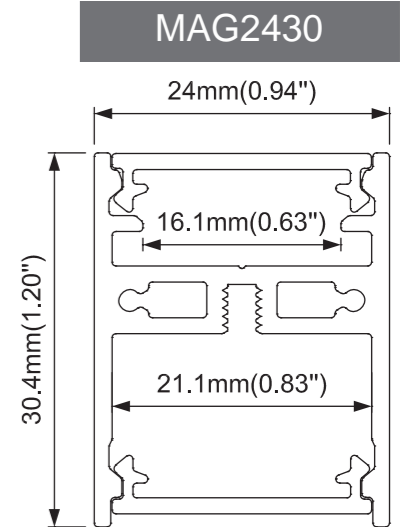
Material: Extruded aluminum
Dimension: 24x30.4mm
Length: MAX 5m



FINISH



Anod. aluminum white Black



END CAPS



End Caps

DIFFUSERS



PC frosted cover



PMMA clear cover
+Prismatic foil



Lens 15°/Symmetrical
Wall washer

ACCESSORIES



Black Reflector 30° or 55°
LEDiL



Chrome Reflector 30° or 55°



White Reflector 30° or 55°



Steel wire

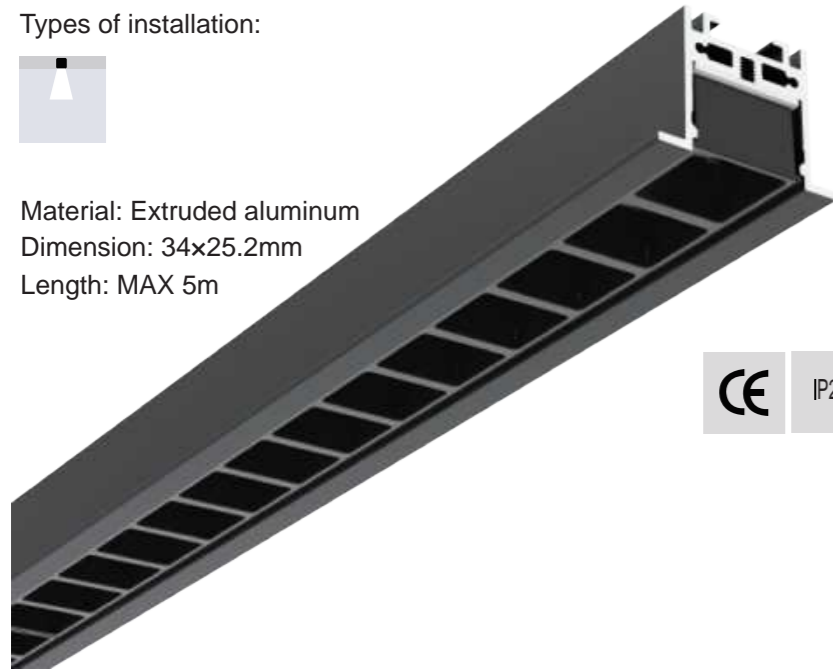


Hanging bracket

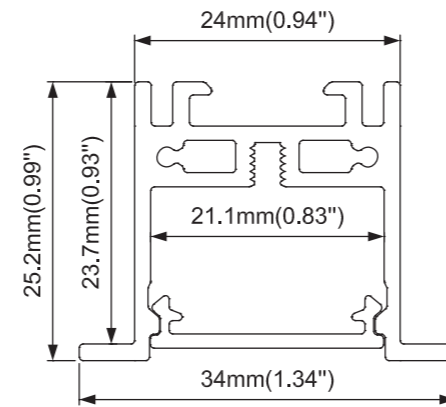
Types of installation:



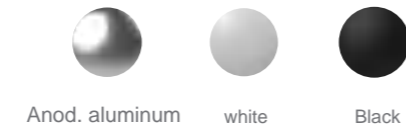
Material: Extruded aluminum
Dimension: 34x25.2mm
Length: MAX 5m



MAG3425



FINISH



END CAPS



End Caps

DIFFUSERS



PC frosted cover



PMMA clear cover
+Prismatic foil



Lens 15°/Symmetrical
Wall washer

ACCESSORIES



Black Reflector 30° or 55°
LEDiL



White Reflector 30° or 55°



Chrome Reflector 30° or 55°

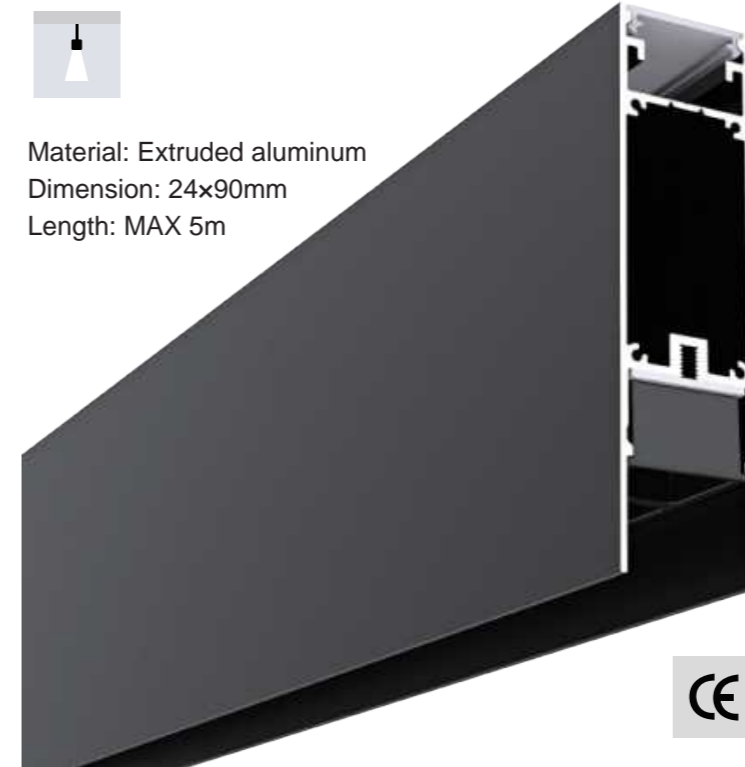


Spring clip

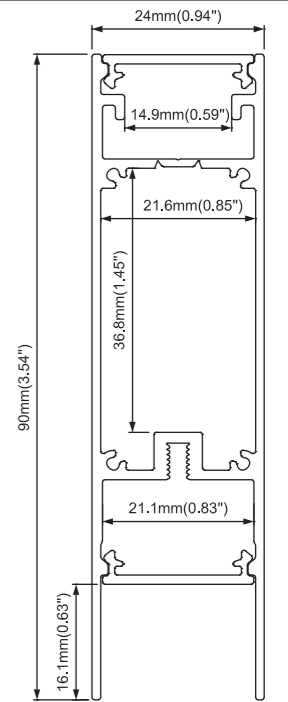
Types of installation:



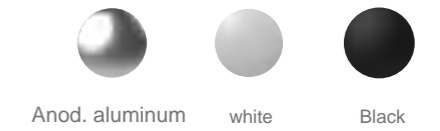
Material: Extruded aluminum
Dimension: 24x90mm
Length: MAX 5m



MAG2490



FINISH



END CAPS



End Caps

DIFFUSERS



PC frosted cover



PMMA clear cover
+Prismatic foil



Lens 15°/Symmetrical
Wall washer

ACCESSORIES



Hanging bracket



Steel wire



Chrome Reflector 30° or 55°



Black Reflector 30° or 55°
LEDiL



White Reflector 30° or 55°

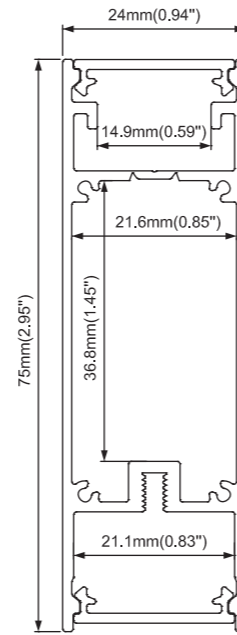


Types of installation:



Material: Extruded aluminum
Dimension: 24x75mm
Length: MAX 5m

MAG2475



FINISH



Anod. aluminum white Black

END CAPS



End Caps

DIFFUSERS



PC frosted cover



PMMA clear cover +Prismatic foil



Lens 15°/Symmetrical Wall washer

ACCESSORIES



Hanging bracket



Steel wire



Black Reflector 30° or 55°
LEDiL



Chrome Reflector 30° or 55°



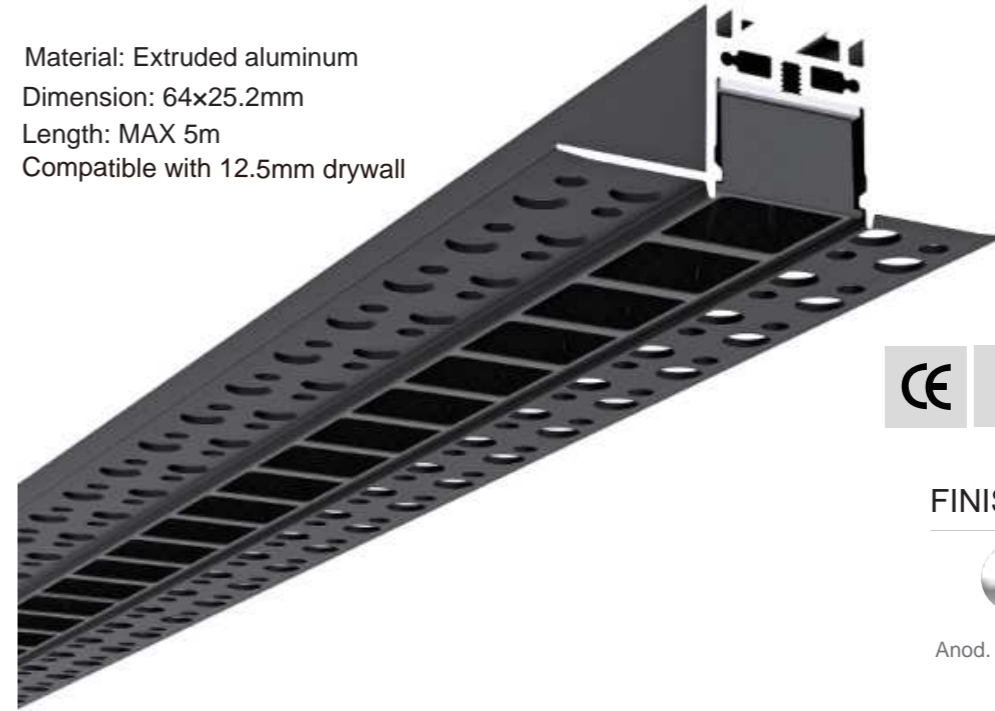
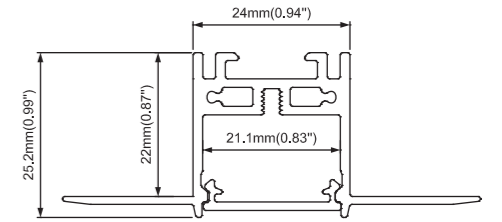
White Reflector 30° or 55°

Types of installation:



Material: Extruded aluminum
Dimension: 64x25.2mm
Length: MAX 5m
Compatible with 12.5mm drywall

MAG6425



FINISH



Anod. aluminum white Black

END CAPS



End Caps

DIFFUSERS



PC frosted cover



PMMA clear cover +Prismatic foil



Lens 15°/Symmetrical Wall washer

ACCESSORIES



Black Reflector 30° or 55°
LEDiL



Chrome Reflector 30° or 55°

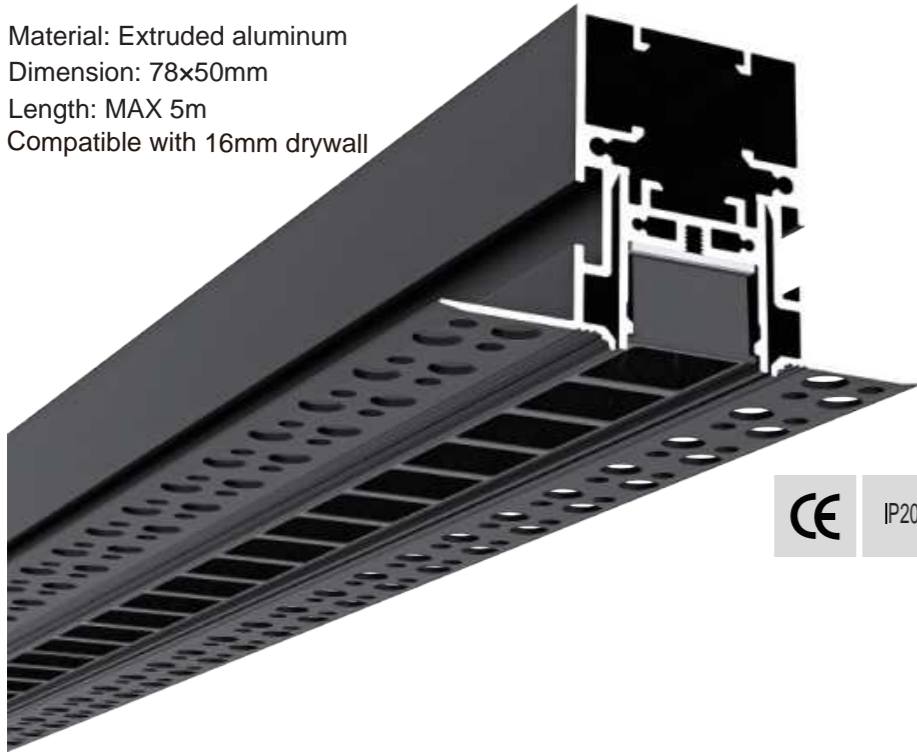


White Reflector 30° or 55°

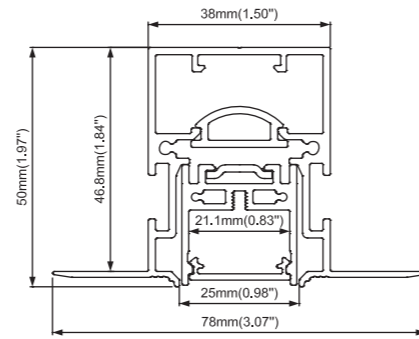
Types of installation:



Material: Extruded aluminum
Dimension: 78x50mm
Length: MAX 5m
Compatible with 16mm drywall



MAG7850



FINISH



Anod. aluminum white Black

END CAPS



End Caps

DIFFUSERS



PC frosted cover



PMMA clear cover
+Prismatic foil



Lens 15°/Symmetrical
Wall washer

ACCESSORIES



Outside clip



Chrome Reflector 30° or 55°



Black Reflector 30° or 55°
LEDiL



White Reflector 30° or 55°



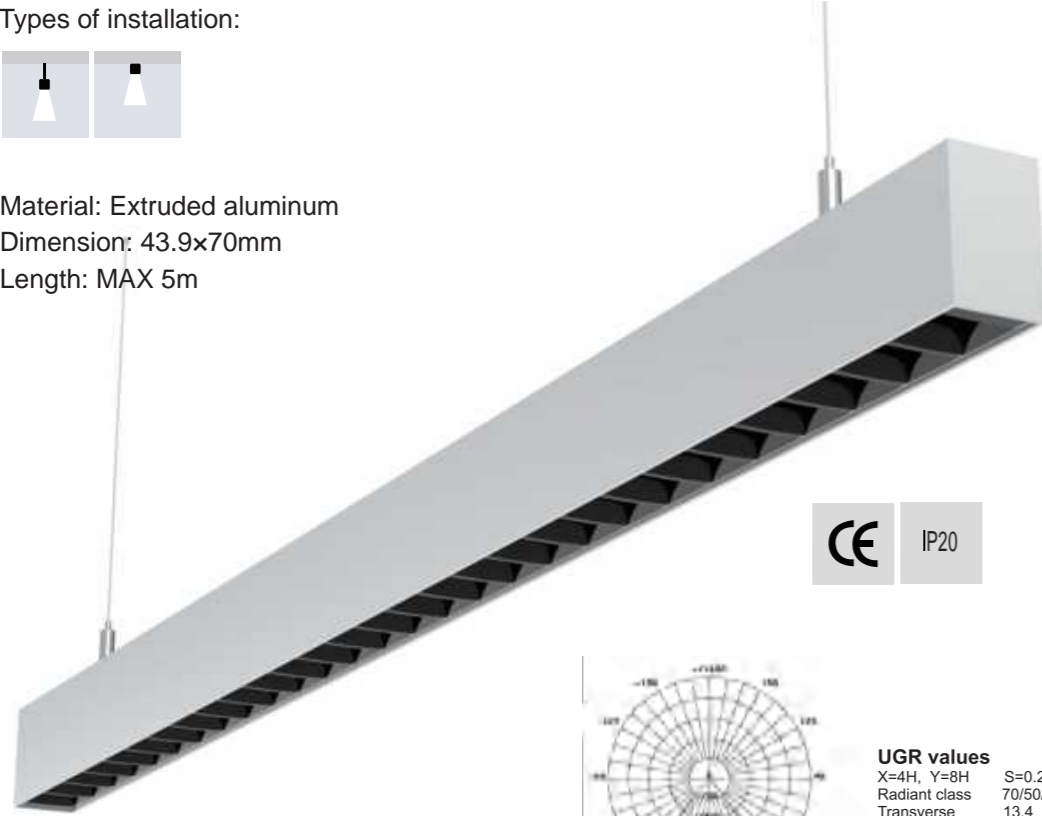
PVC cover



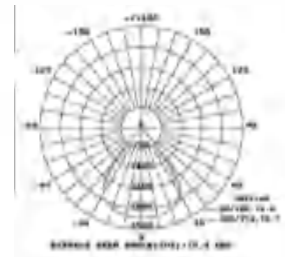
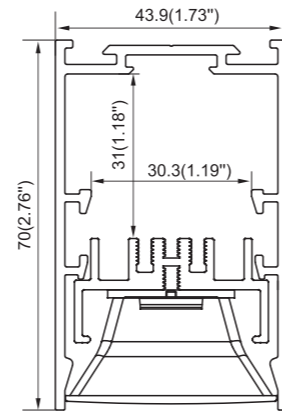
Types of installation:



Material: Extruded aluminum
Dimension: 43.9x70mm
Length: MAX 5m



ALP4070



UGR values
X=4H, Y=8H S=0.2H
Radiant class 70/50/20
Transverse 13.4
Longitudinal 13.9

FINISH



Anod. aluminum white Black Golden

END CAPS



End Caps

ACCESSORIES



Bind cover



Internal Clip



Wall washer



Louver optic(7x1 or 28x1)
LEDiL



Mounting clip
(metal)



Safety wire

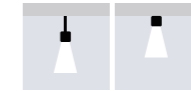


Steel wire



LED module

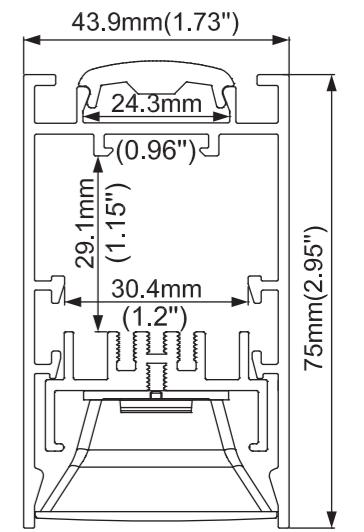
Types of installation:



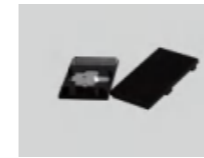
Material: Extruded aluminum
Dimension: 43.9x75mm
Length: MAX 5m



ALP4070-UP



END CAPS



End Caps

FINISH



Anod. aluminum white Black

DIFFUSERS



PC frosted cover

ACCESSORIES



Hanging clip



Internal Clip



Wall washer



Louver optic(7x1 or 28x1)
LEDiL



Safety wire

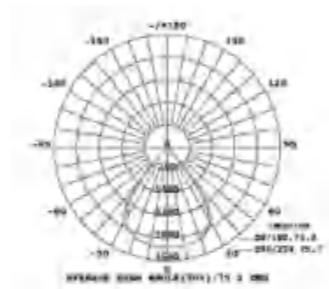
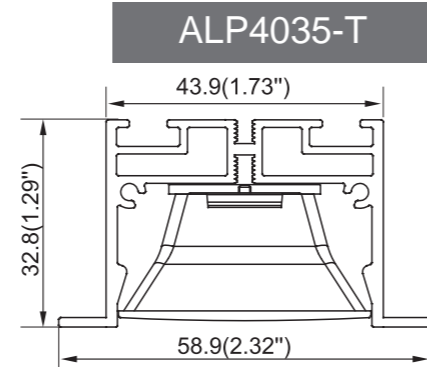


Steel wire

Types of installation:

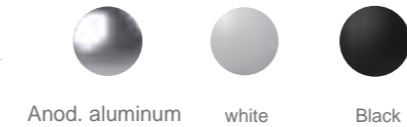


Material: Extruded aluminum
Dimension: 58.9x32.8mm
Length: MAX 5m



UGR values
X=4H, Y=8H S=0.2H
Radiant class 7

FINISH



END CAPS



End Caps

ACCESSORIES



Blind cover



Wall washer



LED module



Stainless clip

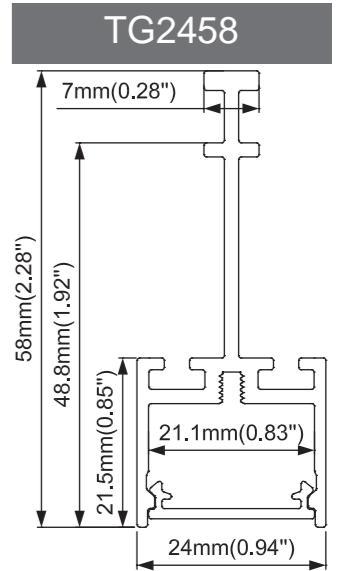


Louver optic(7x1 or 28x1)

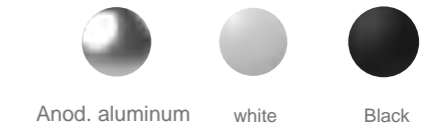
Types of installation:



Material: Extruded aluminum
Dimension: 24x58mm
Length: MAX 5m



FINISH



END CAPS



End Caps

DIFFUSERS



PC frosted cover



clear cover
Prismatic foil



Lens 15°/Symmetrical
Wall washer

ACCESSORIES



Black Reflector 30°or 55°



White Reflector 30°or 55°



Connector



Chrome Reflector 30°or 55°



Types of installation:

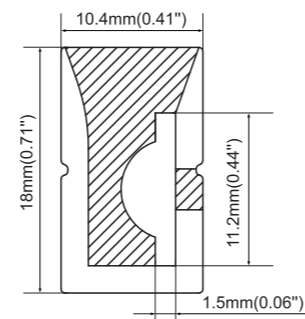


Material: Silicon Co-extrusion
Dimension: 10.4x18mm
Length: MAX 100m

- 10mm PCB
- 14W at maximum



S1018-S



FINISH



white

END CAPS



End Caps

ACCESSORIES



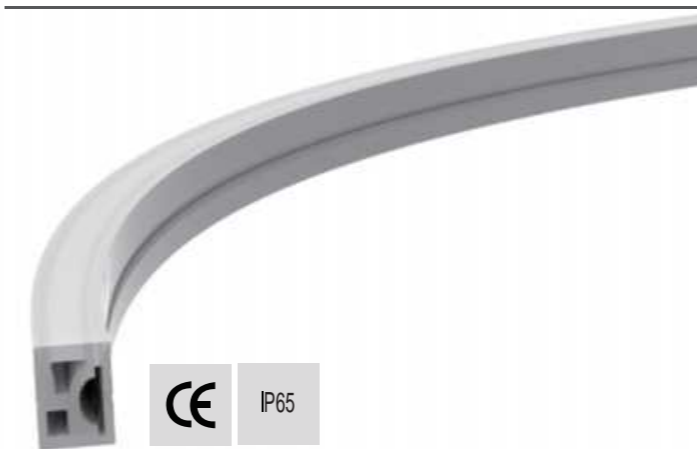
Bendable profile for mounting



Aluminum mounting profile



Mounting clip (aluminum)



Types of installation:

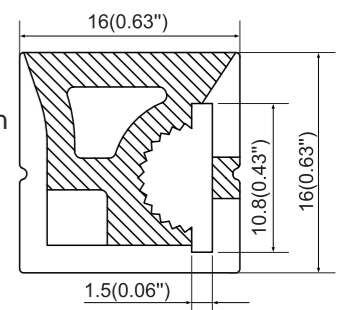


Material: Silicon Co-extrusion
Dimension: 16x16mm
Length: MAX 100m

- 10mm PCB
- 14W at maximum



S1616-S



END CAPS



End Caps

FINISH

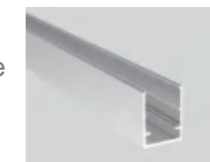


white

ACCESSORIES



Bendable profile for mounting



Aluminum mounting profile



Mounting clip (aluminum)



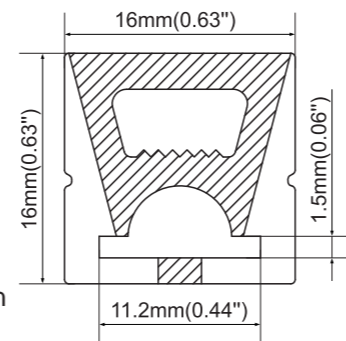
Types of installation:



Material: Silicon Co-extrusion
Dimension: 16x16mm
Length: MAX 100m

- 10mm PCB
- 14W at maximum

S1616-T



FINISH



white

END CAPS



End Caps

ACCESSORIES



Bendable profile for mounting



Aluminum mounting profile



Mounting clip (aluminum)



Types of installation:

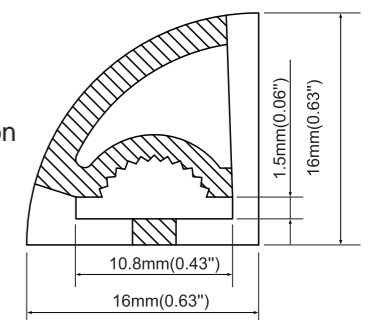


Material: Silicon Co-extrusion
Dimension: 16x16mm
Length: MAX 100m

- 10mm PCB
- 14W at maximum



S1616-C



END CAPS



End Caps

FINISH



white

ACCESSORIES



Mounting clip (metal)

S0410-S

Types of installation:




Material: Silicon Co-extrusion
Dimension: 4x10mm
Length: MAX 100m

- 6mm PCB
- 14W at maximum



FINISH



white

END CAPS

ACCESSORIES



End Cap with hole
End cap without hole

Mounting clip (aluminum)

CE IP65

S0612-S

Types of installation:



Material: Silicon Co-extrusion
Dimension: 6x12mm
Length: MAX 100m

- 8mm PCB
- 14W at maximum



FINISH



white

END CAPS

ACCESSORIES




End Cap with hole
End cap without hole

Mounting clip (aluminum)

CE IP65

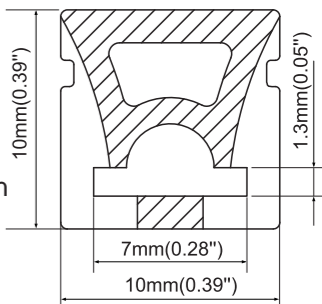
S1010-T

Types of installation:




Material: Silicon Co-extrusion
Dimension: 10x10mm
Length: MAX 100m

- 6mm PCB
- 14W at maximum



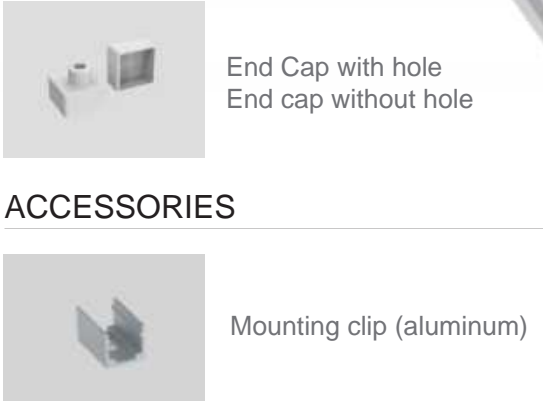
FINISH



white

END CAPS

ACCESSORIES



End Cap with hole
End cap without hole

Mounting clip (aluminum)

CE IP65

S3021-T

Types of installation:



Material: Silicon Co-extrusion
Dimension: 30x21.5mm
Length: MAX 100m

- 15mm PCB
- 14W at maximum



FINISH



white

END CAPS

ACCESSORIES



End Cap with hole
End cap without hole

Mounting clip

CE IP65



Features

- Made of highly flexible silicone, 360° light emission, matt surface
- Free cutting, minimum cutting distance of 5mm
- Choice of 2 color temperatures (3000K/4000K)
- 14w/m, 850lm/W, in door use, 24V

END CAPS



Surface

DIFFUSERS



Vertical ceiling surface



Channel surface

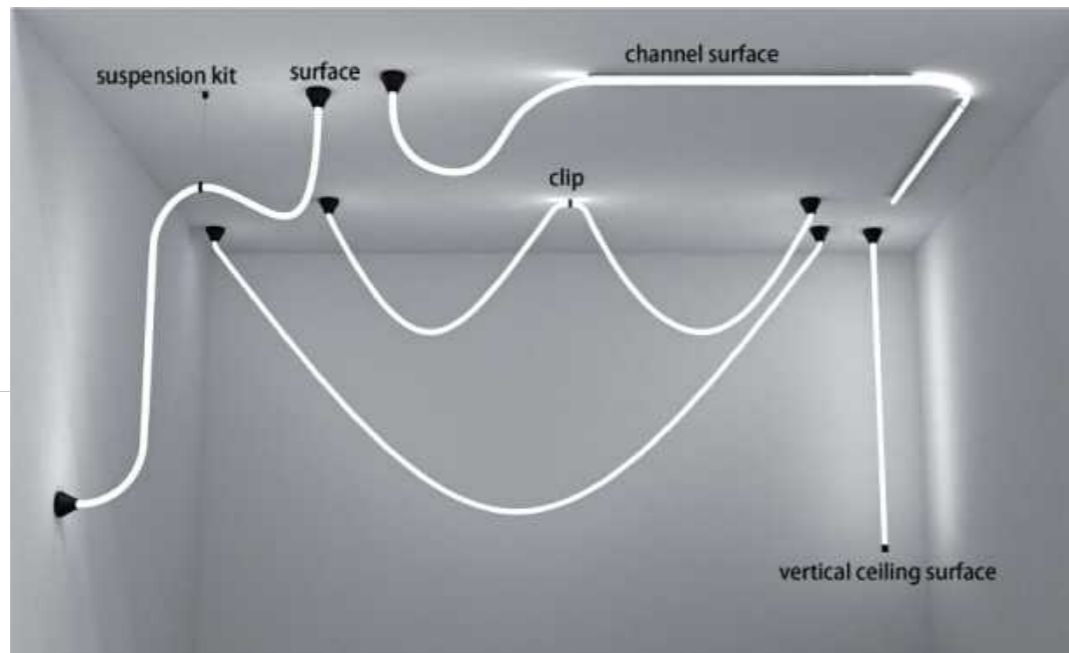
ACCESSORIES



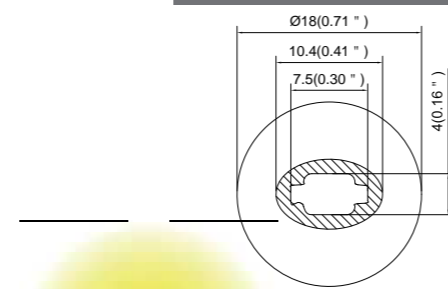
Clip



Steel wire



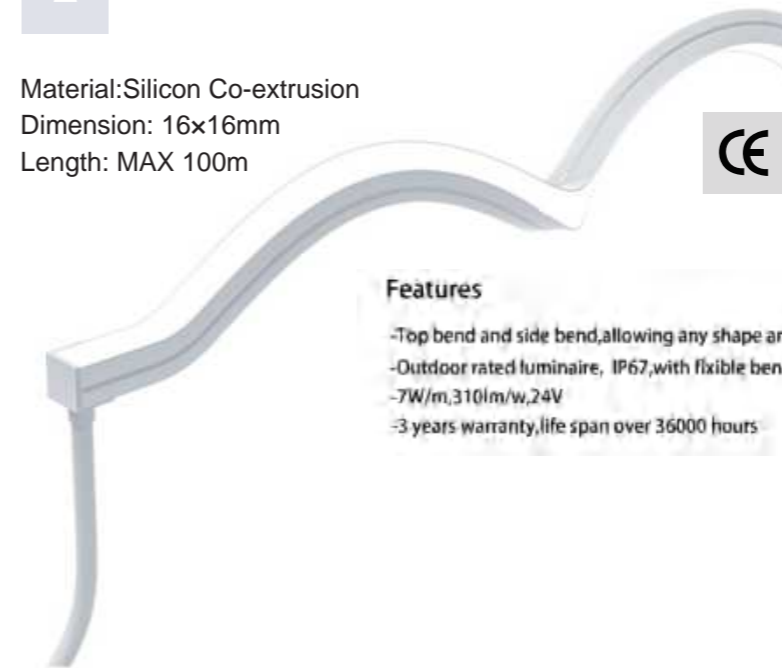
S18



Types of installation:



Material: Silicon Co-extrusion
Dimension: 16x16mm
Length: MAX 100m



Features

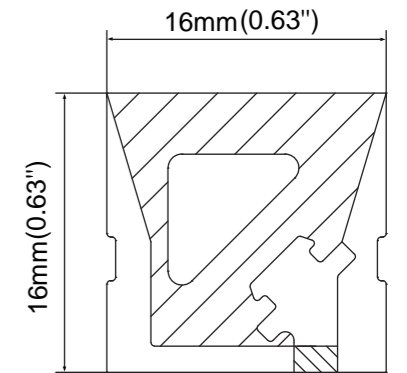
- Top bend and side bend, allowing any shape and conceive creative designs
- Outdoor rated luminaire, IP67, with flexible bending possibilities
- 7W/m, 310lm/w, 24V
- 3 years warranty, life span over 36000 hours

FINISH



white

S1616-3D



END CAPS



End Caps

ACCESSORIES



Mounting clip (metal)



Moldable groove



Types of installation:



Material: Silicon Co-extrusion
Dimension: $\varnothing 20\text{mm}$
Length: MAX 100m



FINISH



white

END CAPS



End Cap with hole
End cap without hole

ACCESSORIES



Clip

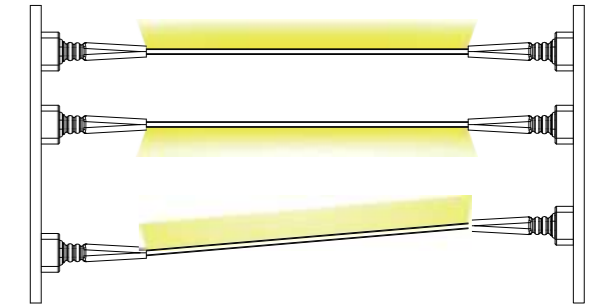
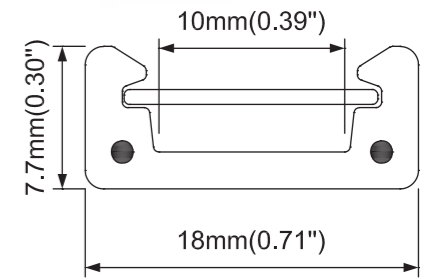
Types of installation:



Material: PC+TPV
Dimension: 18x7.7mm
Length: MAX 6m



TP1807



DIFFUSERS



PC diffused cover

ACCESSORIES



Mounting kit (Metal)



Wrench Key



Decorative Box (Metal+Silicone)



Mounting Screw



Wrench



Terminal

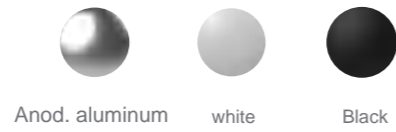
Types of installation:



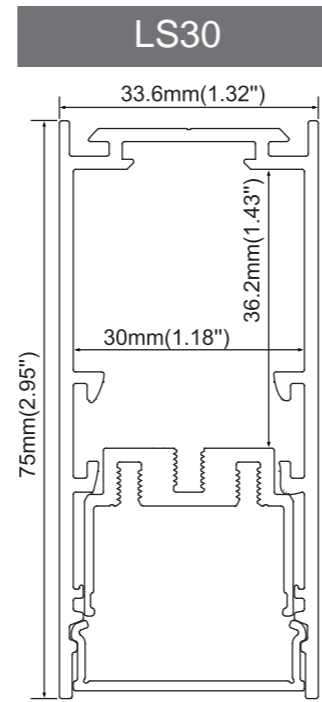
Material: Extruded aluminum
Dimension: 33.6x75mm
Length: MAX 5m



FINISH



Anod. aluminum white Black



END CAPS



End Caps

DIFFUSERS



PC frosted cover

ACCESSORIES



Internal Clip



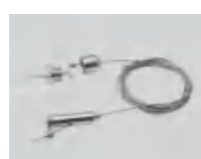
Outside clip



Blind cover



Safety wire



Steel wire



Reflector: 15°, 30°, 45°



90° Horizontal connector



180° Connector



LED module

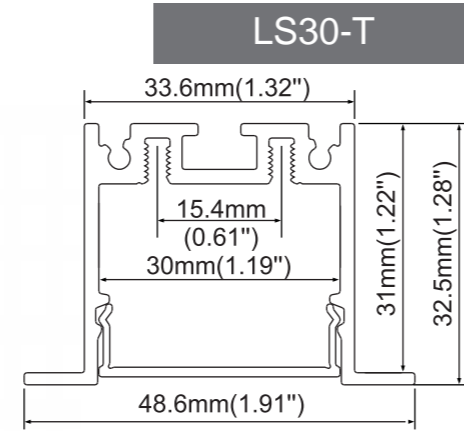
LS30
Free combination



Types of installation:



Material: Extruded aluminum
Dimension: 48.6x32.5mm
Length: MAX 5m



FINISH



Anod. aluminum white Black

END CAPS



End Caps

DIFFUSERS



PC frosted cover

ACCESSORIES



Blind cover



Reflector: 15°, 30°, 45°

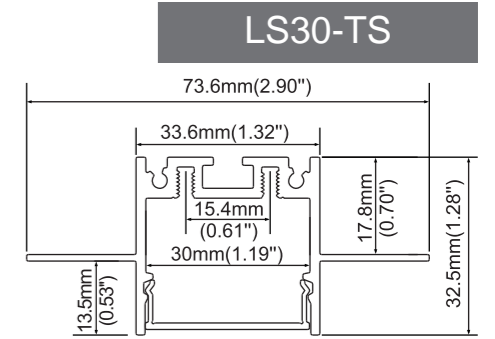


Spring clip

Types of installation:



Material: Extruded aluminum
Dimension: 73.6x32.5mm
Length: MAX 5m
Compatible with 12.5mm drywall



FINISH



Anod. aluminum white Black

END CAPS



End Caps

DIFFUSERS



PC frosted cover

ACCESSORIES



Reflector: 15°, 30°, 45°

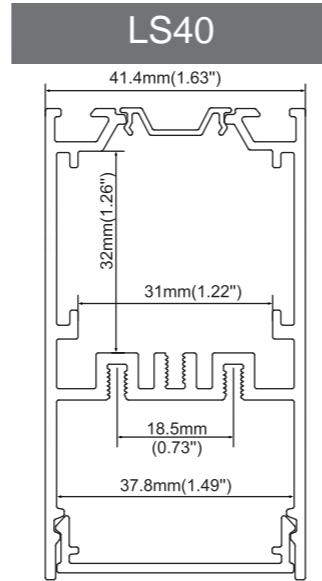
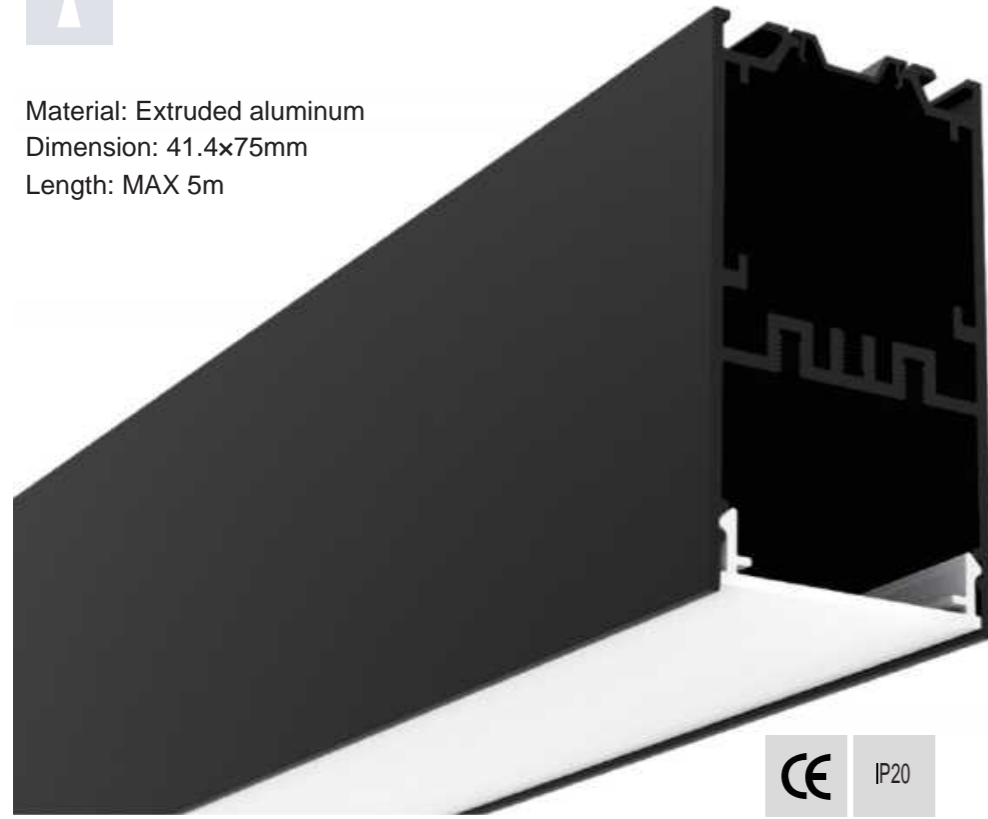


Blind cover

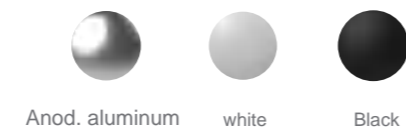
Types of installation:



Material: Extruded aluminum
Dimension: 41.4x75mm
Length: MAX 5m



FINISH



END CAPS



End Caps

DIFFUSERS



PC frosted cover

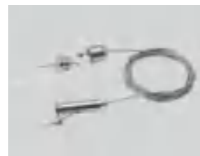


PMMA clear cover
+Prismatic foil

ACCESSORIES



Mounting clip
(metal)



Steel wire



Blind cover



Lens

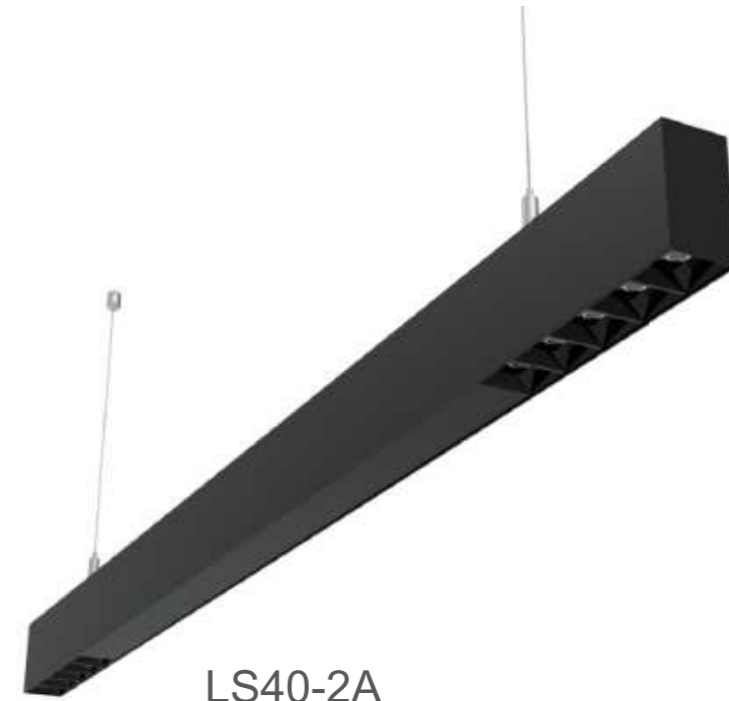


Reflector



LED Board

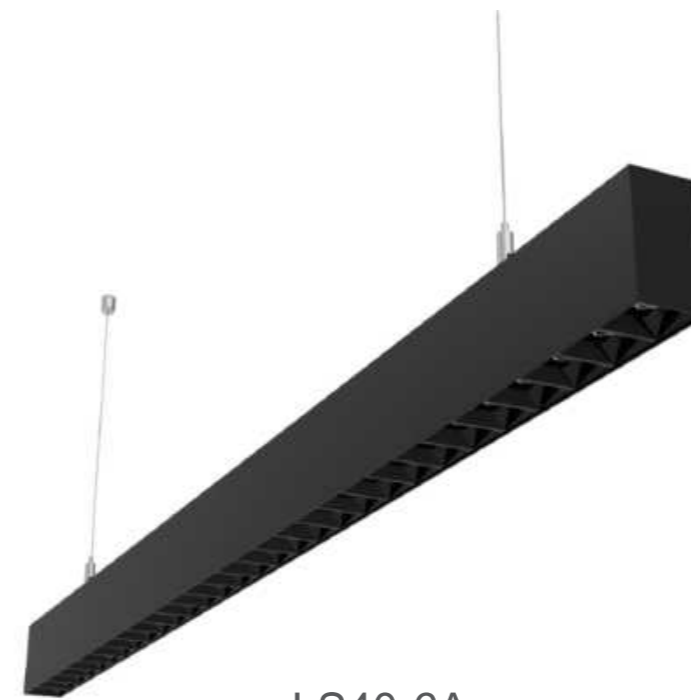
Free combination



LS40-2A



LS40-2B

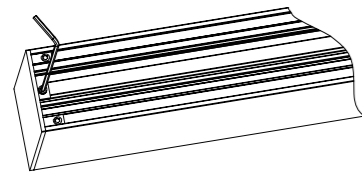


LS40-6A

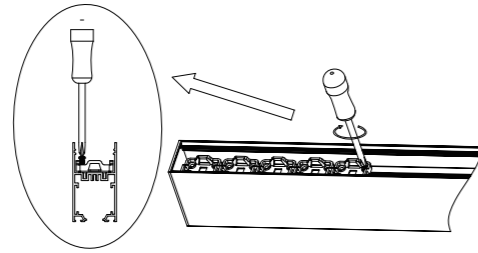


LS40-PC

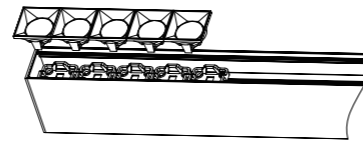
LS40-2A



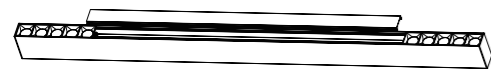
Step 01:
Lock the end caps



Step 02:
Fix the base of the reflector



Step 03:
Snap the reflector on the top of the base



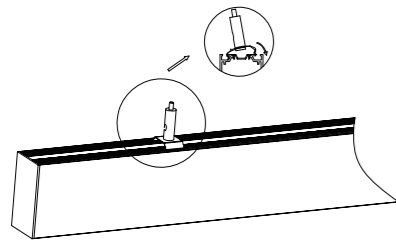
Step 04:
Press the blind cover into the profile



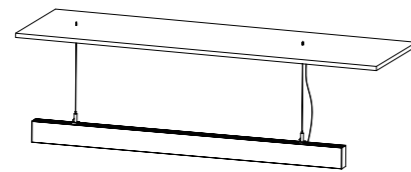
Step 05:
Fix the driver on the back of the profile



Step 06:
Press the aluminum cover into the backside



Step 07:
Install the outside clip



Step 08:
Hang the fixtures on the ceiling

LS40-T



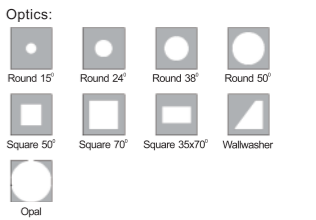
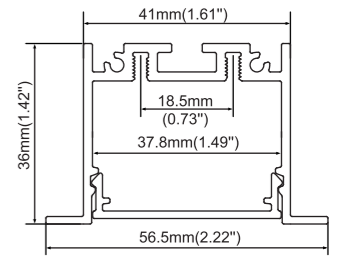
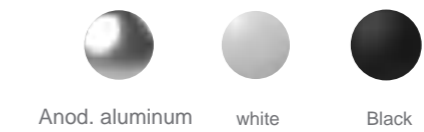
Types of installation:



Material: Extruded aluminum
Dimension: 56.5x36mm
Length: MAX 5m



FINISH



END CAPS



End Caps

DIFFUSERS



PC frosted cover

ACCESSORIES



Spring clip

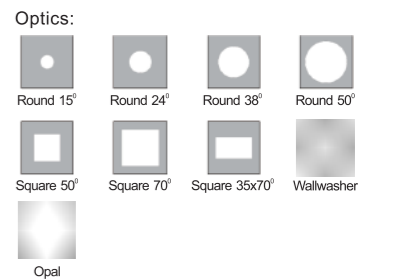
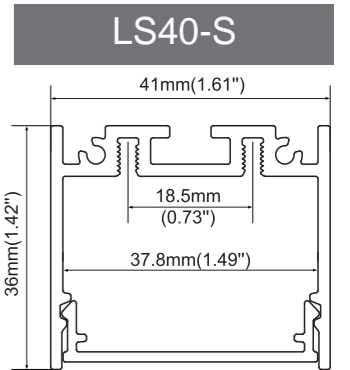
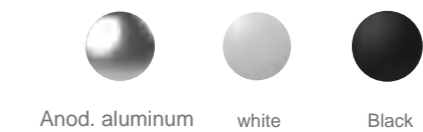
Types of installation:



Material: Extruded aluminum
Dimension: 41x36mm
Length: MAX 5m



FINISH



END CAPS



End Caps

DIFFUSERS



PC frosted cover

ACCESSORIES

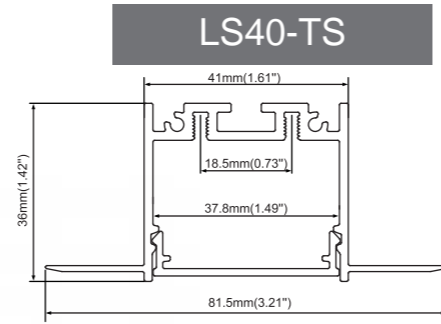
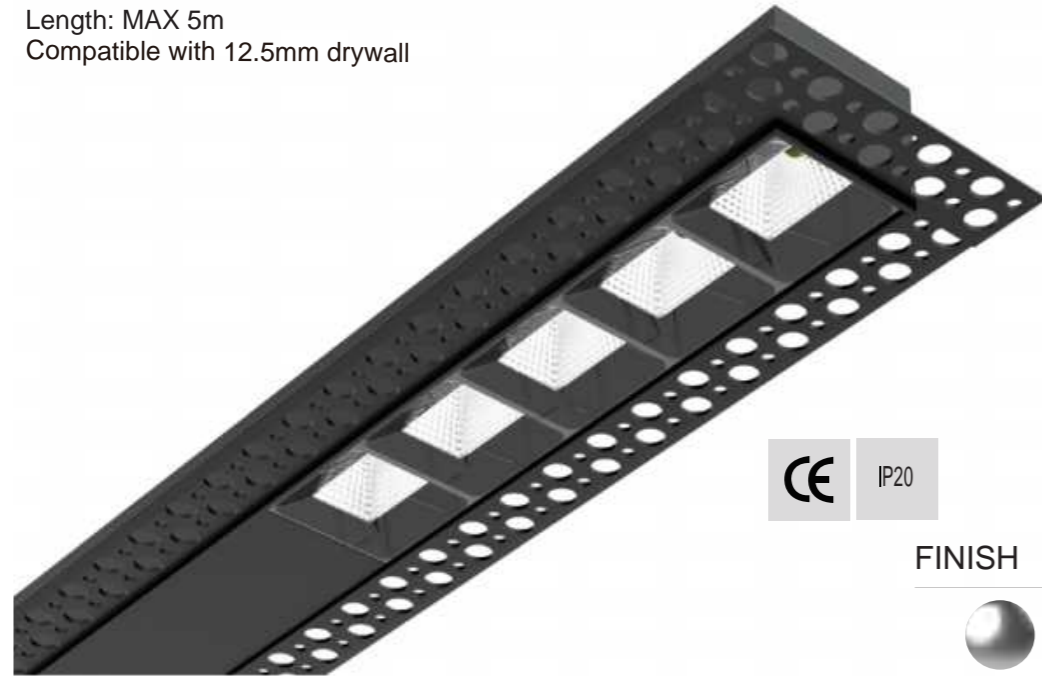


Steel wire

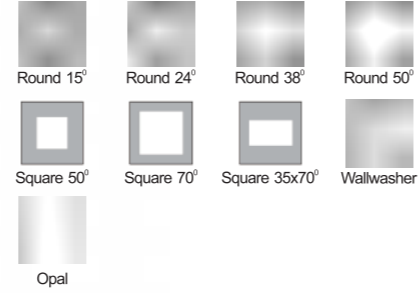
Types of installation:



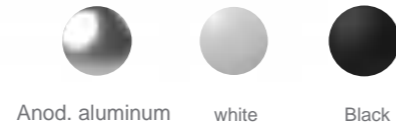
Material: Extruded aluminum
Dimension: 81.5x36mm
Length: MAX 5m
Compatible with 12.5mm drywall



Optics:



FINISH



END CAPS



End Caps

DIFFUSERS



PC frosted cover

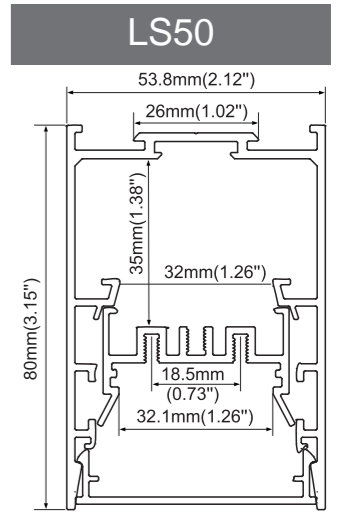
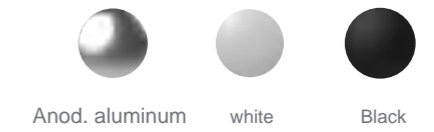
Types of installation:



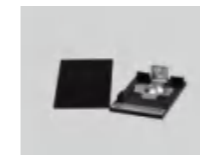
Material: Extruded aluminum
Dimension: 53.8x80mm
Length: MAX 5m



FINISH



END CAPS



Magnet end caps

DIFFUSERS



PC frosted cover



Large lens



PMMA clear cover +Prismatic foil

ACCESSORIES



Internal Clip



Outside clip



High reflective louver



Safety wire



Steel wire



Reflector:15°,30°,45°



Blind cover



180° Connector



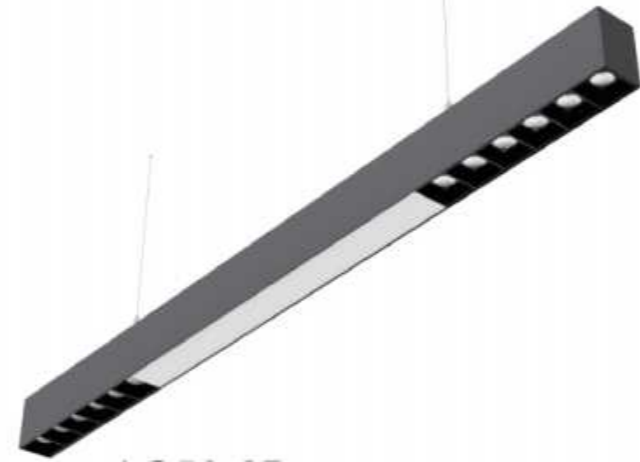
90° Horizontal connector

LS50

Free combination



LS50-2A



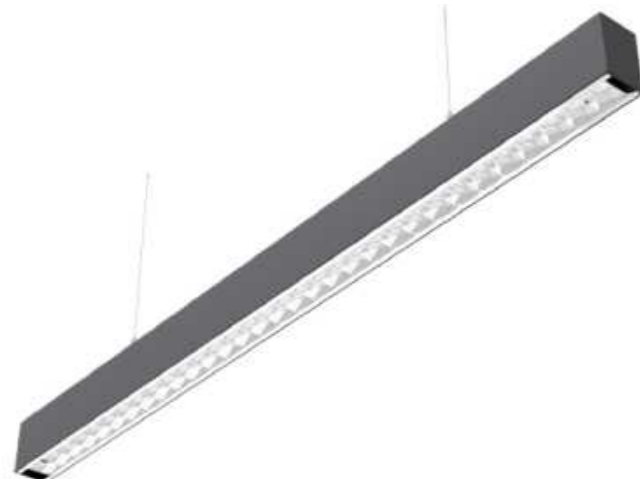
LS50-2B



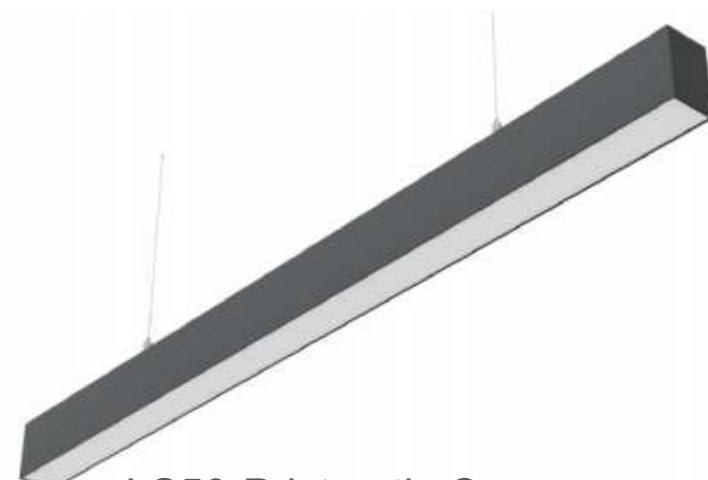
LS50-4A



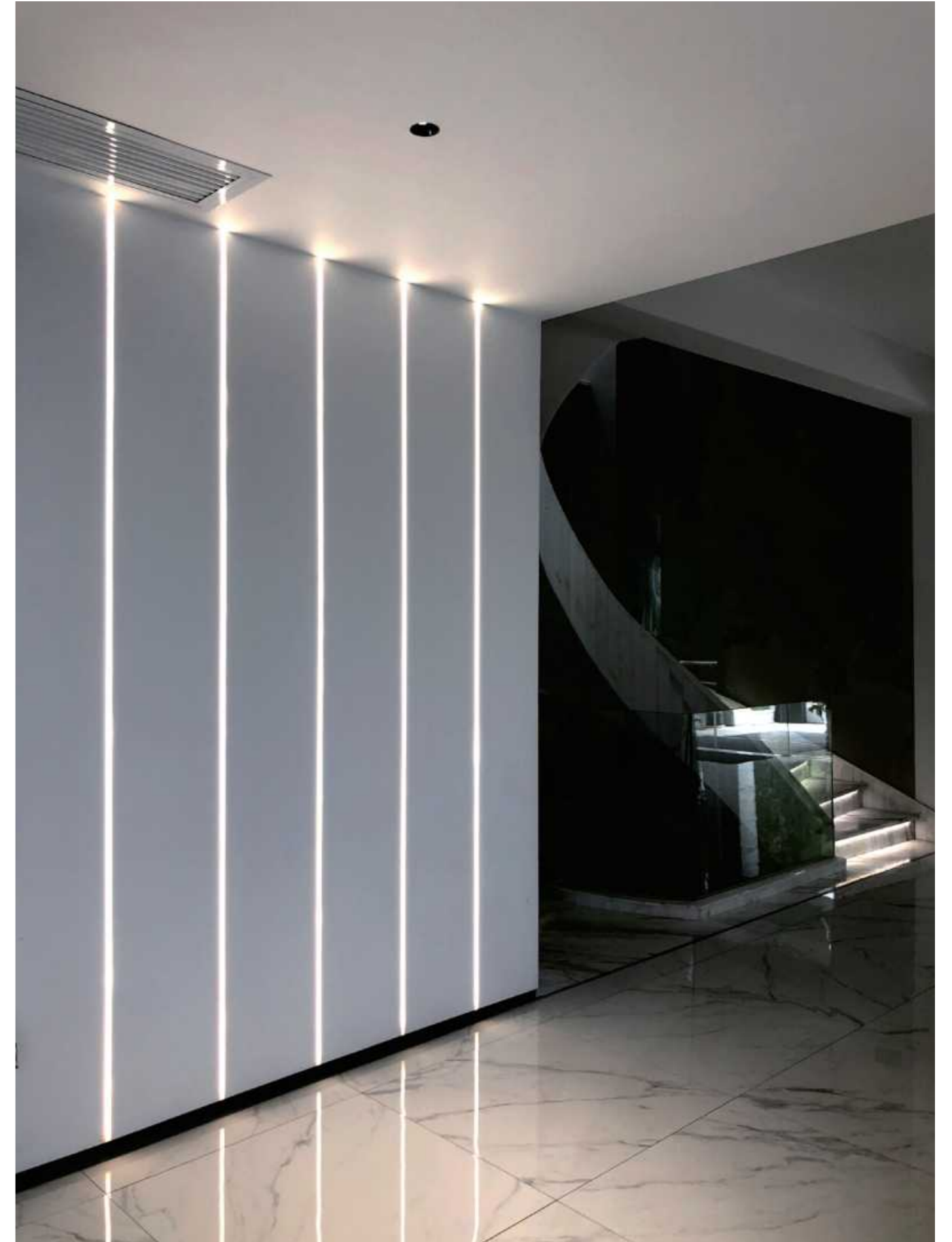
LS50-Wall Washer



LS50-Reflective Louver



LS50-Prismatic Cover





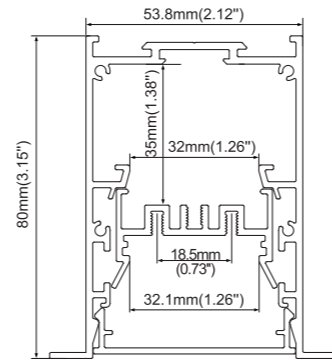
Types of installation:



Material: Extruded aluminum
Dimension: 73.8x80mm
Length: MAX 5m



LS50-T



FINISH



Anod. aluminum white Black

END CAPS



End Caps

All of the accessories will be the same as LS50 except for END CAPS

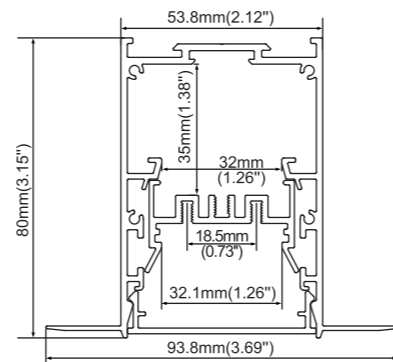
Types of installation:



Material: Extruded aluminum
Dimension: 93.8x80mm
Length: MAX 5m



LS50-TS



FINISH



Anod. aluminum white Black

END CAPS



End Caps

All of the accessories will be the same as LS50 except for END CAPS



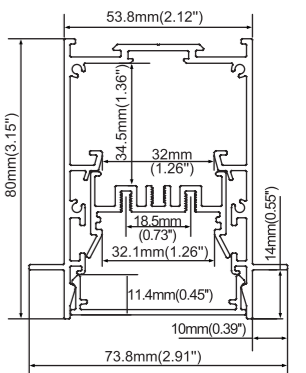
Types of installation:



Material: Extruded aluminum
Dimension: 73.8x80mm
Length: MAX 5m



LS50-T1

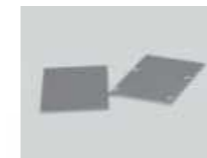


FINISH



Anod. aluminum white Black

END CAPS



End Caps

All of the accessories will be the same as LS50 except for END CAPS

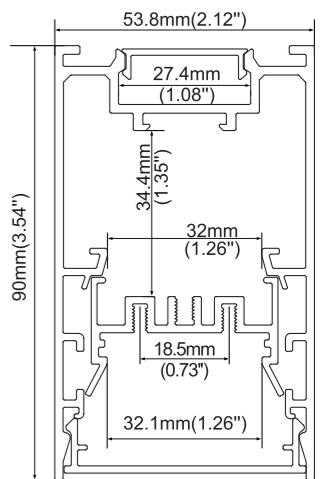
Types of installation:



Material: Extruded aluminum
Dimension: 53.8x90mm
Length: MAX 5m



LS50-U



FINISH



Anod. aluminum white Black

END CAPS



End Caps

ACCESSORIES



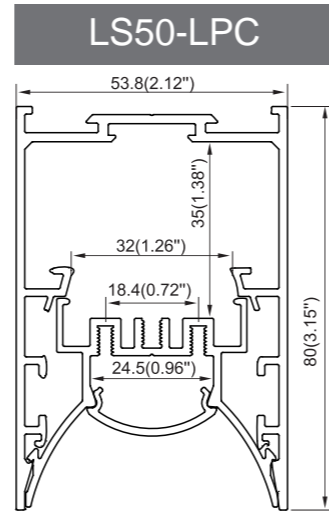
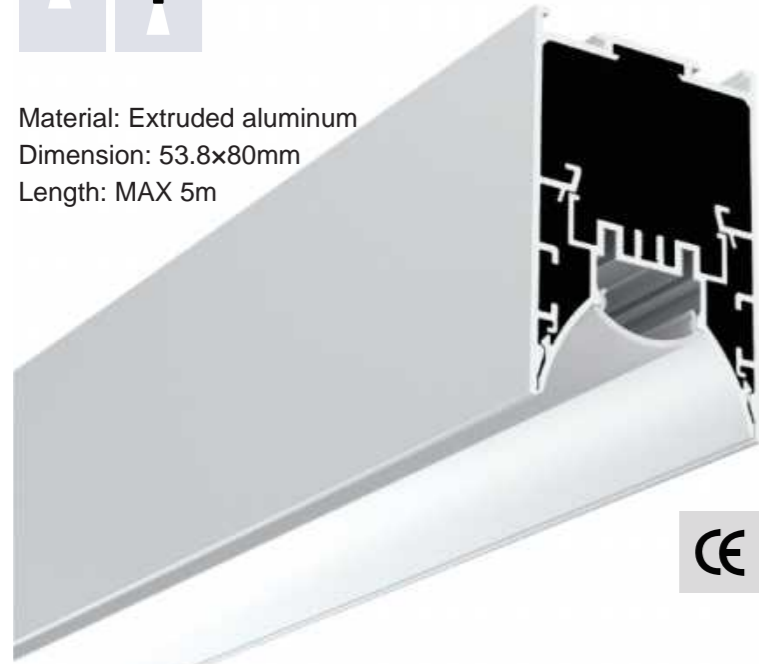
Hanging clip

All of the accessories will be the same as LS50 except for END CAPS

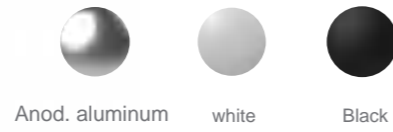
Types of installation:



Material: Extruded aluminum
Dimension: 53.8x80mm
Length: MAX 5m



FINISH



END CAPS

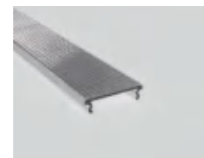


End Caps

DIFFUSERS



PC diffused cover



PMMA clear cover
+Prismatic foil

ACCESSORIES



Internal Clip



Outside clip



Wall washer lens



Symmetrical lens



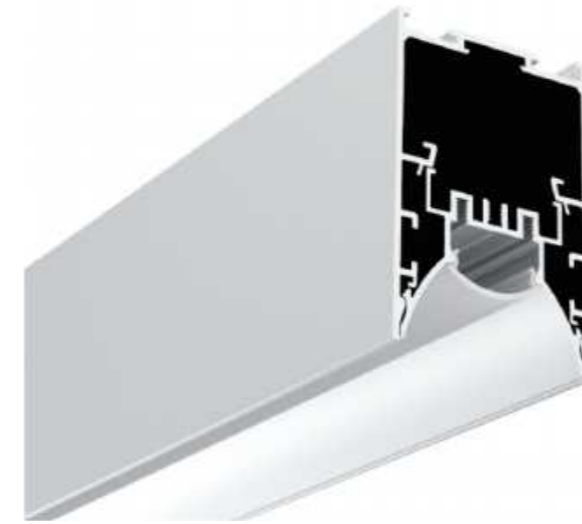
Steel wire



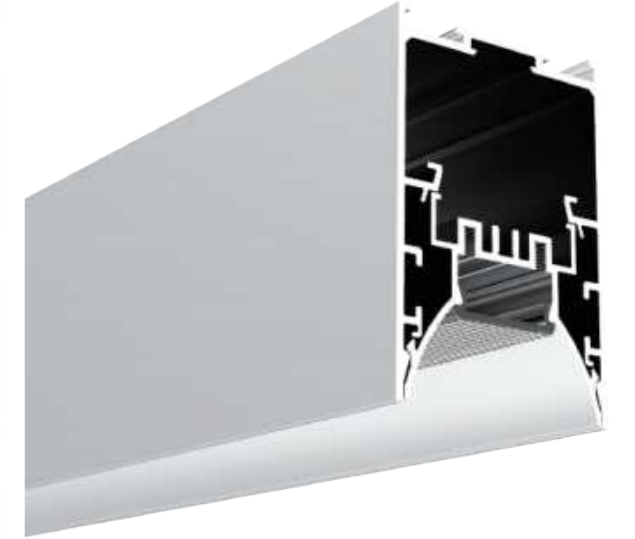
Lens 40° degrees



Lens 60° degrees



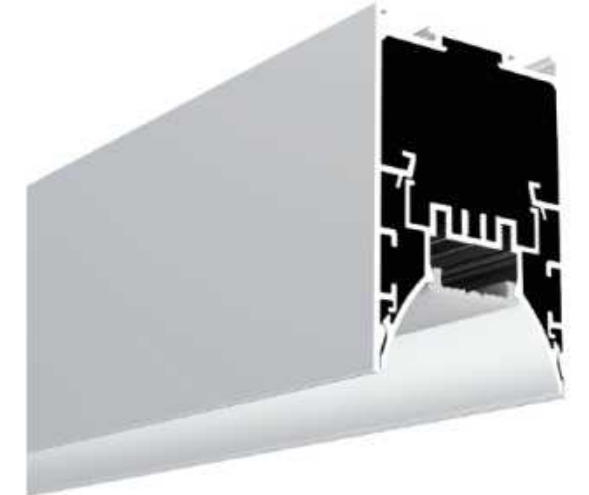
LS50-LPC



LS50-LPM



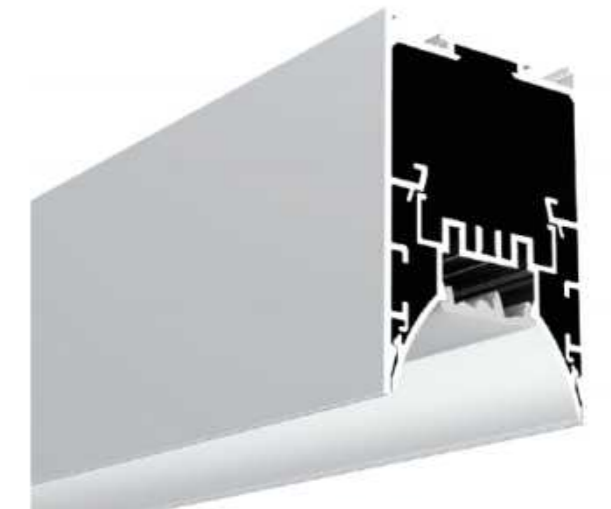
LS50-L40



LS50-L60



LS50-LSY



LS50-LWW

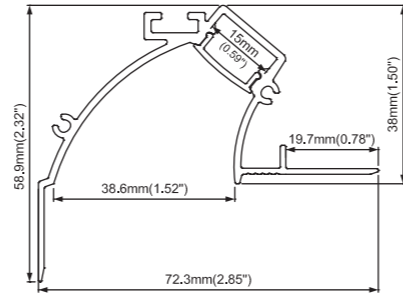
Types of installation:



Material: Extruded aluminum
 Dimension: 72.3x58.9mm
 Length: MAX 5m
 Compatible with 12.5mm drywall



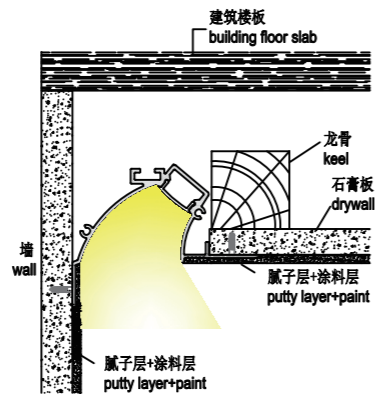
ALP127-R



FINISH



white



END CAPS



End Caps

DIFFUSERS



PC diffused cover

ACCESSORIES



90° Horizontal connector



90° Vertical connector



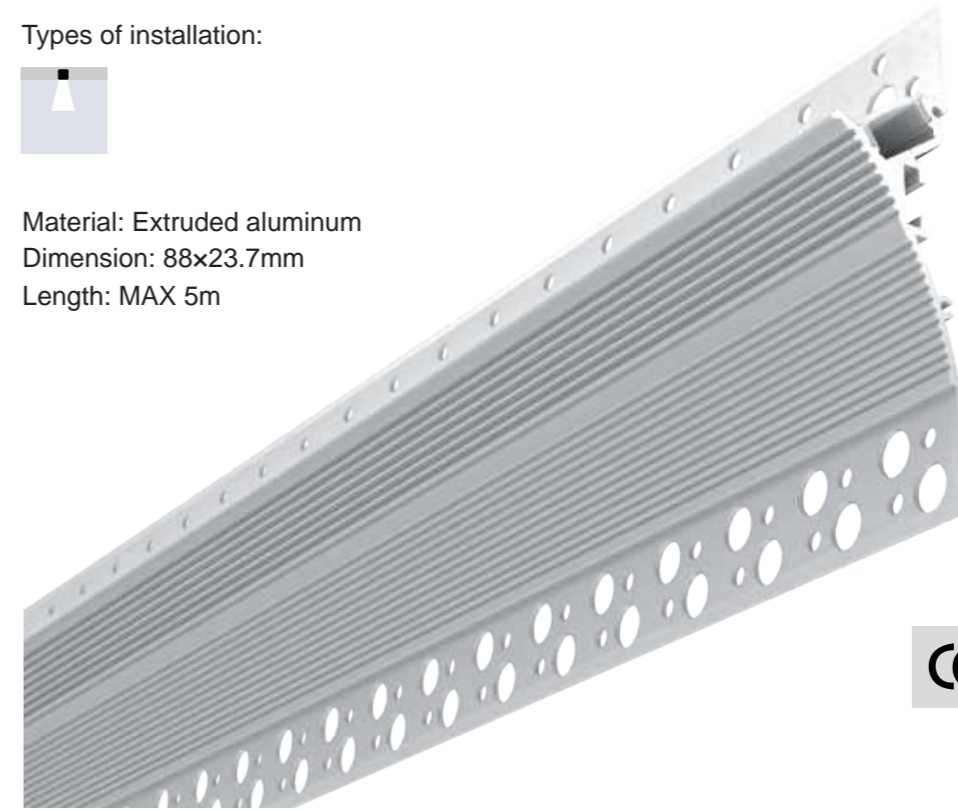
180° Connector



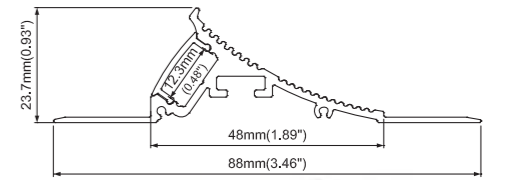
Types of installation:



Material: Extruded aluminum
 Dimension: 88x23.7mm
 Length: MAX 5m



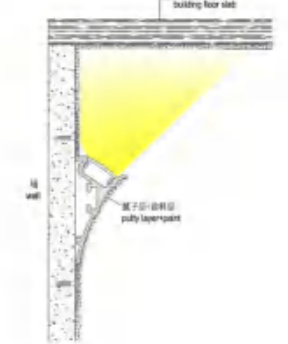
ALP128-R



FINISH



white



END CAPS



End Caps

DIFFUSERS



PC diffused cover

ACCESSORIES



90° Horizontal connector



90° Vertical connector



180° Connector

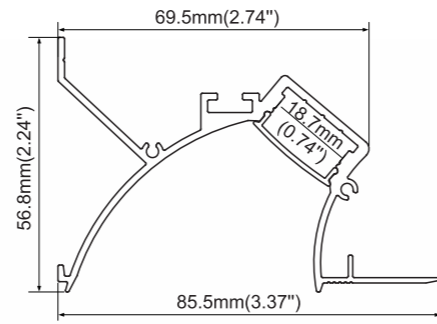


Types of installation:



Material: Extruded aluminum
Dimension: 85.5x56.8mm
Length: MAX 5m
Compatible with 12.5mm drywall

ALP127



FINISH



white

END CAPS



End Caps

DIFFUSERS

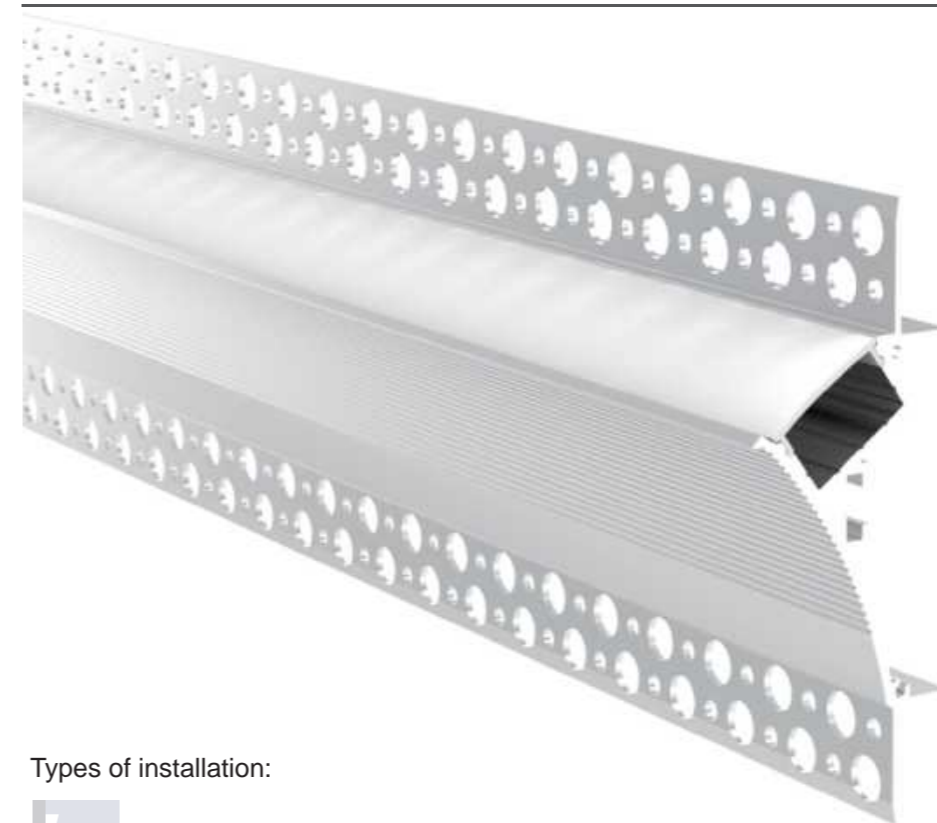


PC diffused cover
PC semi clear cover

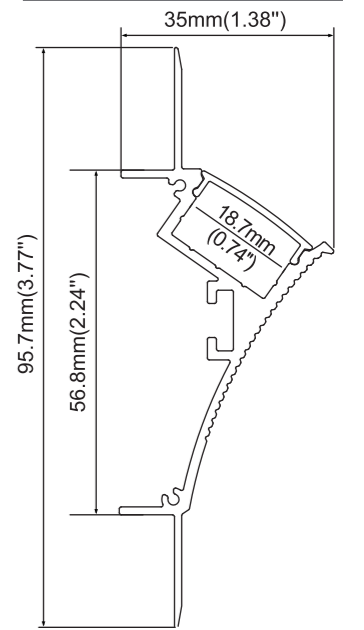
ACCESSORIES



Disposable cover



ALP128



Types of installation:



Material: Extruded aluminum
Dimension: 35x95.7mm
Length: MAX 5m
Compatible with 12.5mm drywall

FINISH



white

END CAPS



End Caps

DIFFUSERS

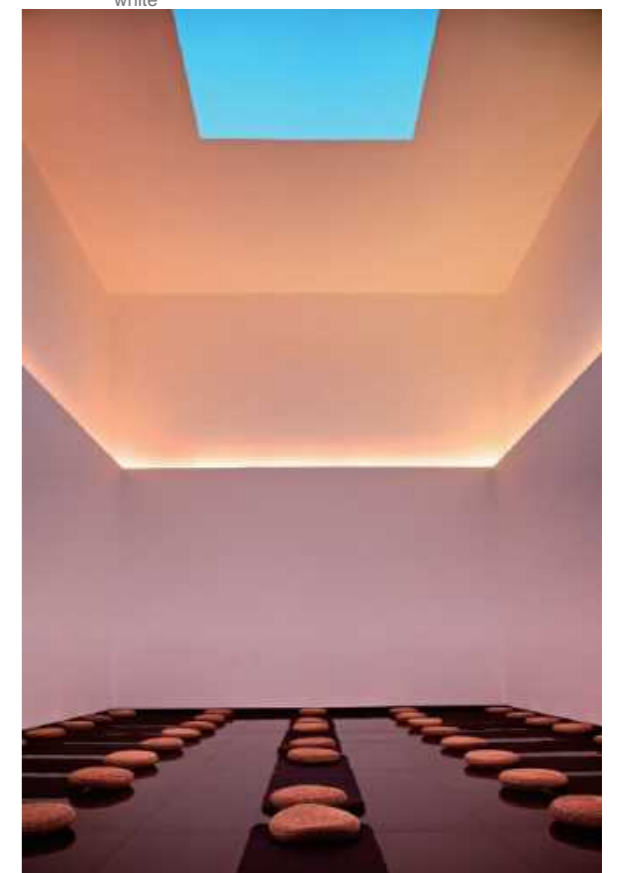


PC diffused cover

ACCESSORIES



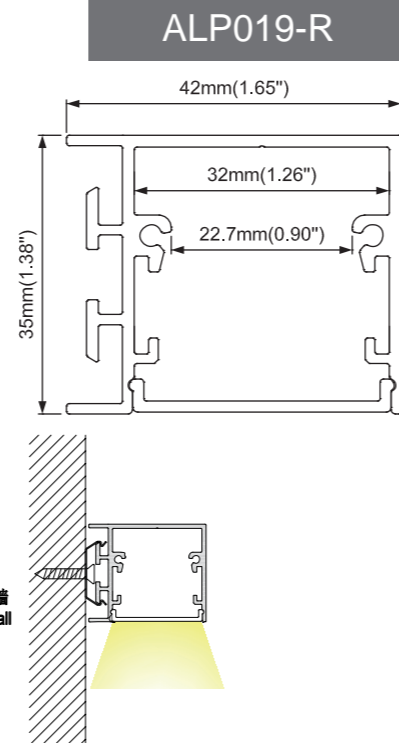
Disposable cover



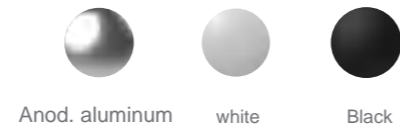
Types of installation:



Material: Extruded aluminum
Dimension: 42x35mm
Length: MAX 5m



FINISH



END CAPS



End cap with hole
End cap without hole

DIFFUSERS



PC diffused cover

ACCESSORIES



90° Horizontal connector



90° Vertical connector



180° Connector

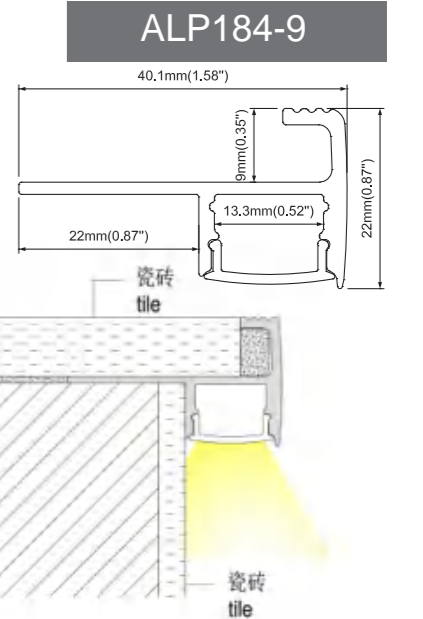
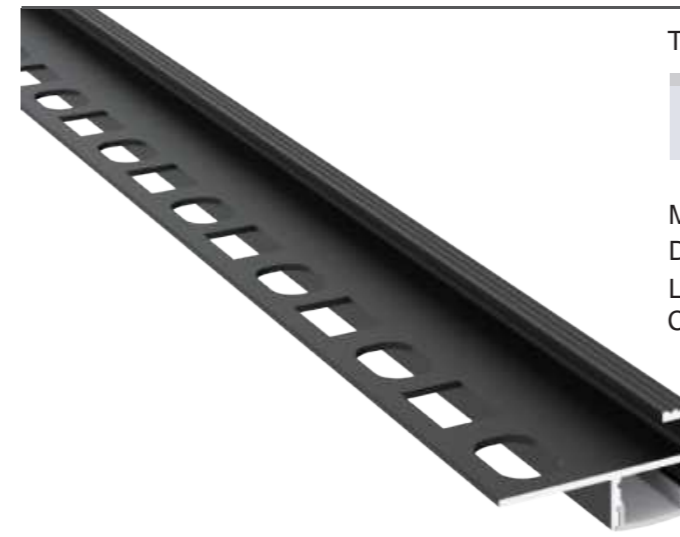


Mounting clip (metal)

Types of installation:



Material: Extruded aluminum
Dimension: 40.1x22mm
Length: MAX 5m
Compatible with 8mm tile



FINISH



END CAPS



End cap with hole
End cap without hole

DIFFUSERS

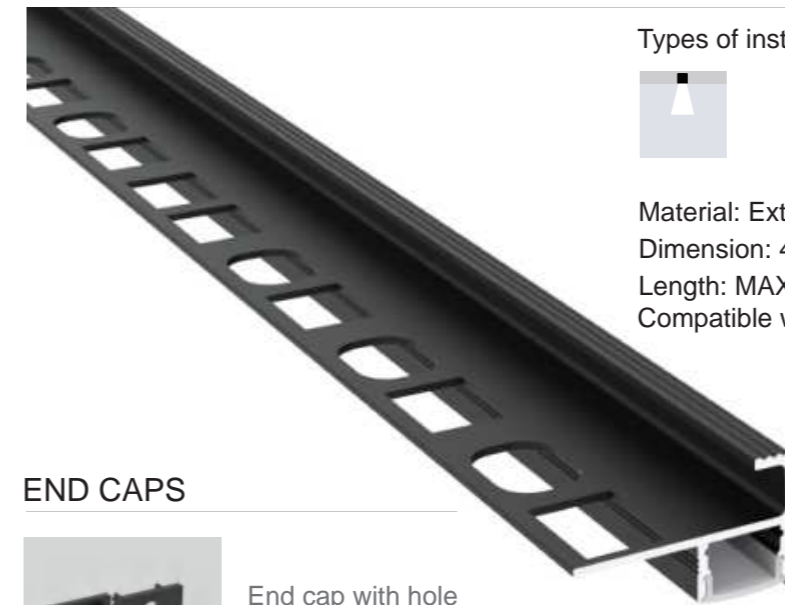


PC diffused cover

ACCESSORIES



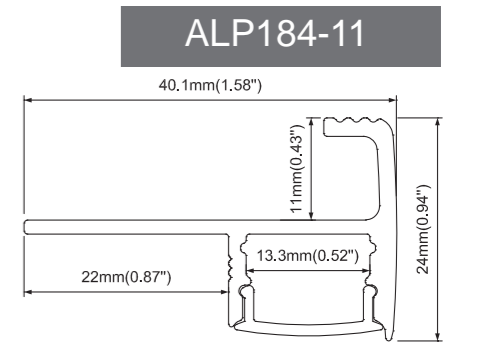
Disposable cover



Types of installation:



Material: Extruded aluminum
Dimension: 40.1x24mm
Length: MAX 5m
Compatible with 10mm tile



FINISH



END CAPS



End cap with hole
End cap without hole

DIFFUSERS



PC diffused cover

ACCESSORIES

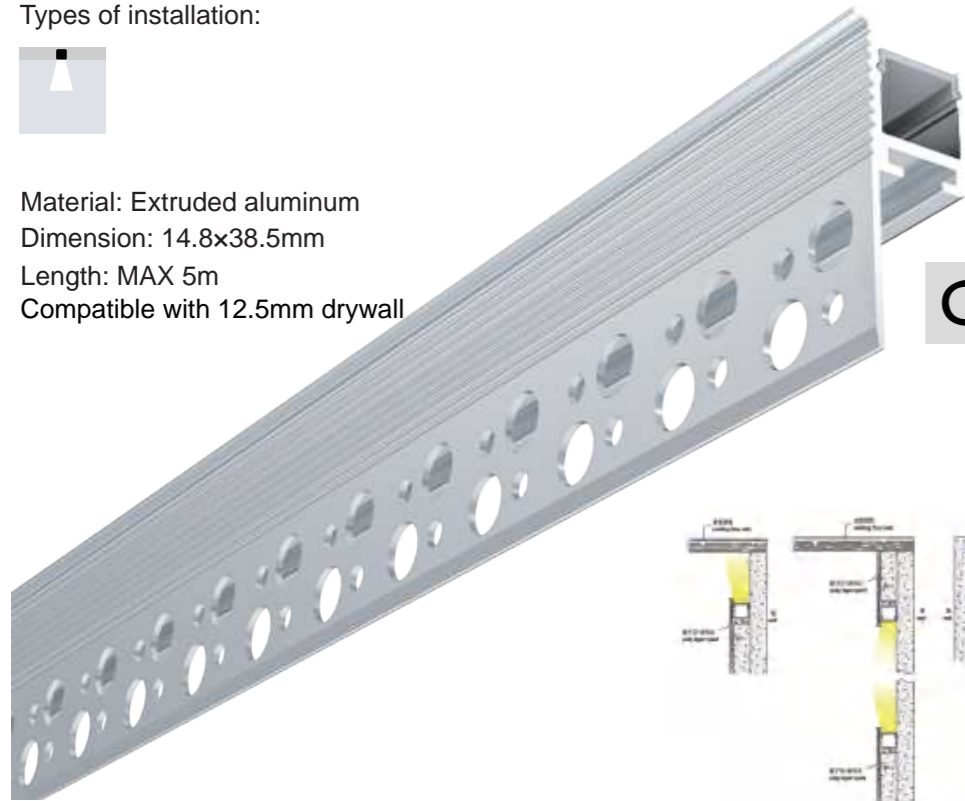


Disposable cover

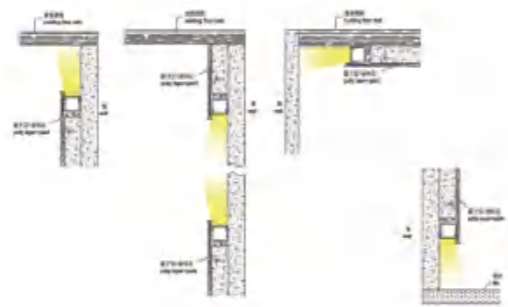
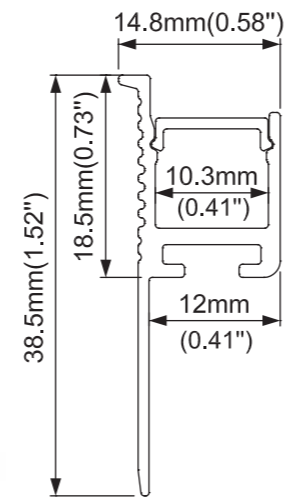
Types of installation:



Material: Extruded aluminum
Dimension: 14.8x38.5mm
Length: MAX 5m
Compatible with 12.5mm drywall



ALP185

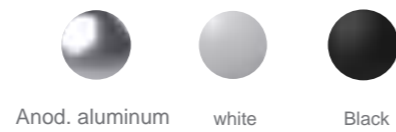


END CAPS



End Caps

FINISH



DIFFUSERS



PC diffused cover

ACCESSORIES



90° Horizontal connector



90° Vertical connector



180° Connector



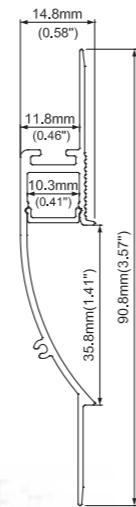
Types of installation:



Material: Extruded aluminum
Dimension: 14.8x90.8mm
Length: MAX 5m
Compatible with 12.5mm drywall



ALP186



FINISH



white

腻子层 涂料层
putty layer+paint

腻子层 涂料层
putty layer+paint

END CAPS



End Caps

DIFFUSERS



PC diffused cover

ACCESSORIES



90° Horizontal connector



90° Vertical connector



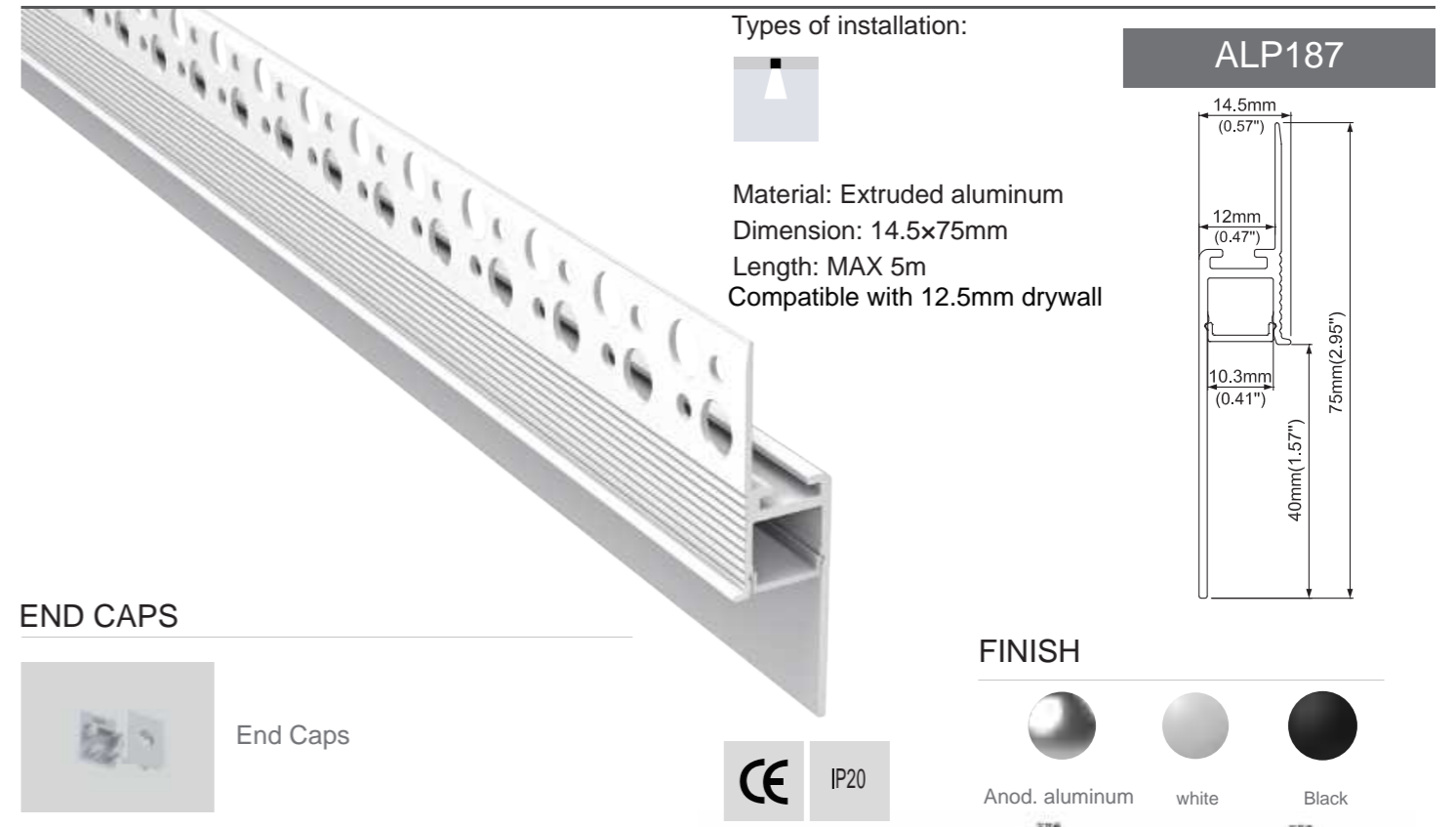
180° Connector



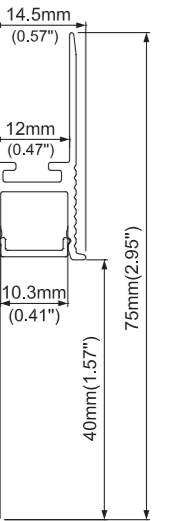
Types of installation:



Material: Extruded aluminum
Dimension: 14.5x75mm
Length: MAX 5m
Compatible with 12.5mm drywall



ALP187



FINISH



Anod. aluminum



white



Black

END CAPS



End Caps

DIFFUSERS



PC diffused cover

ACCESSORIES



90° Horizontal connector



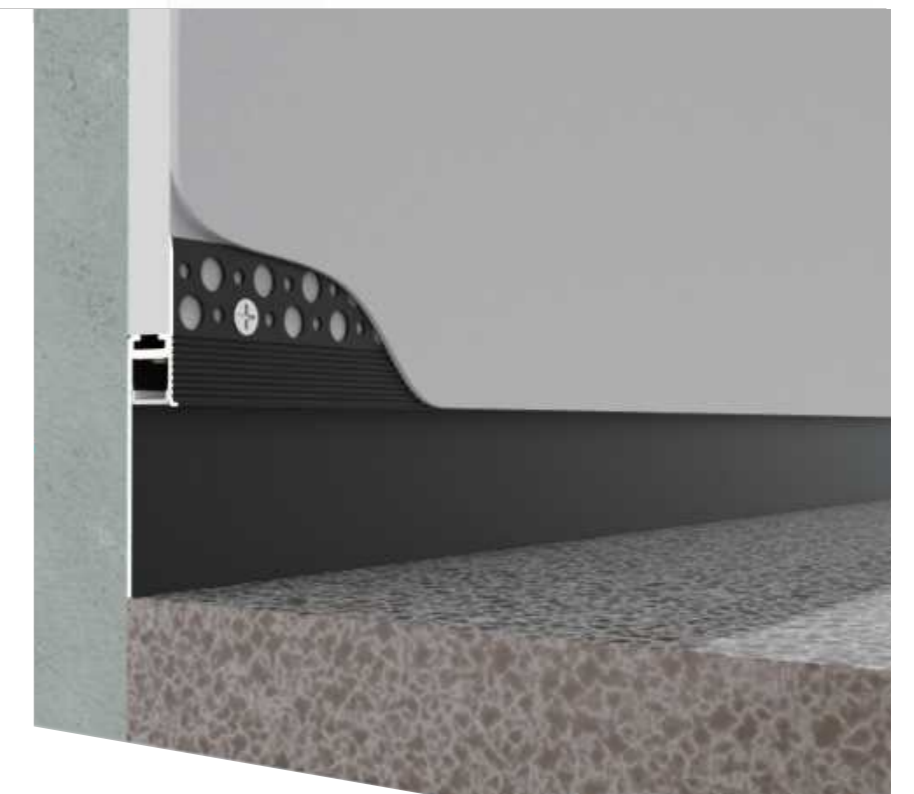
90° Vertical



180° Conne



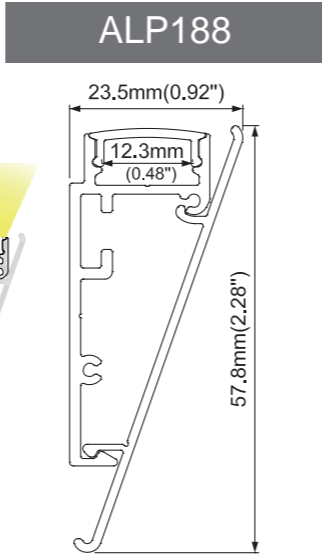
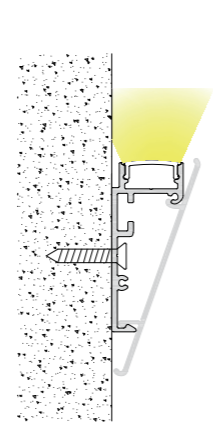
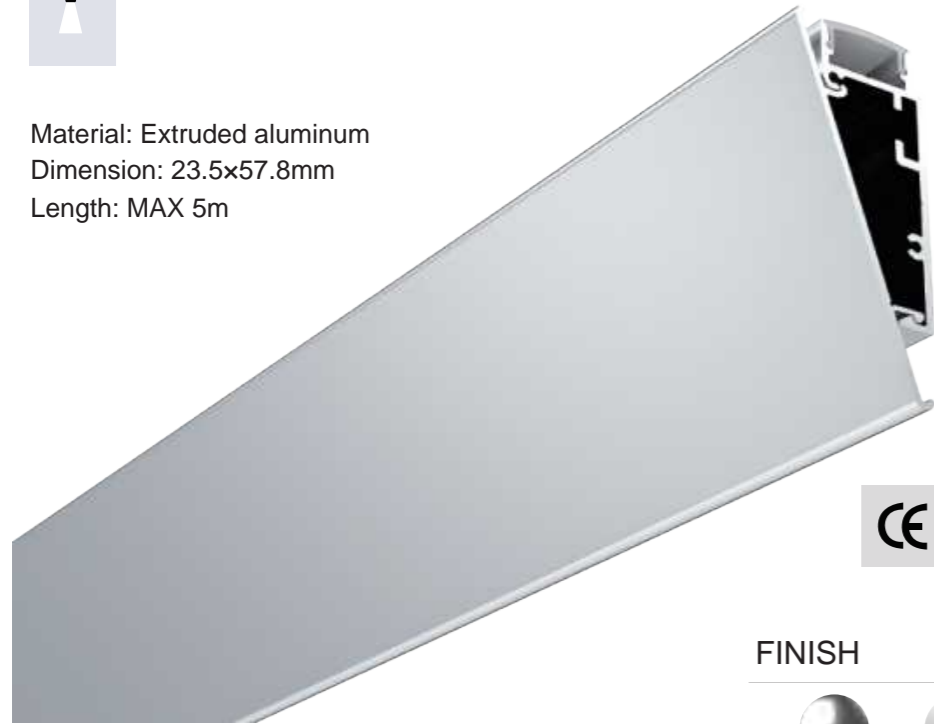
Disposable cover



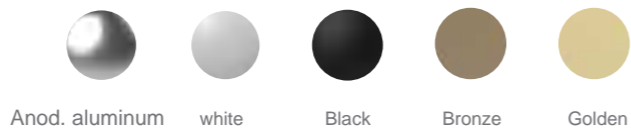
Types of installation:



Material: Extruded aluminum
Dimension: 23.5x57.8mm
Length: MAX 5m



FINISH



END CAPS



End Caps

DIFFUSERS



PC diffused cover

ACCESSORIES



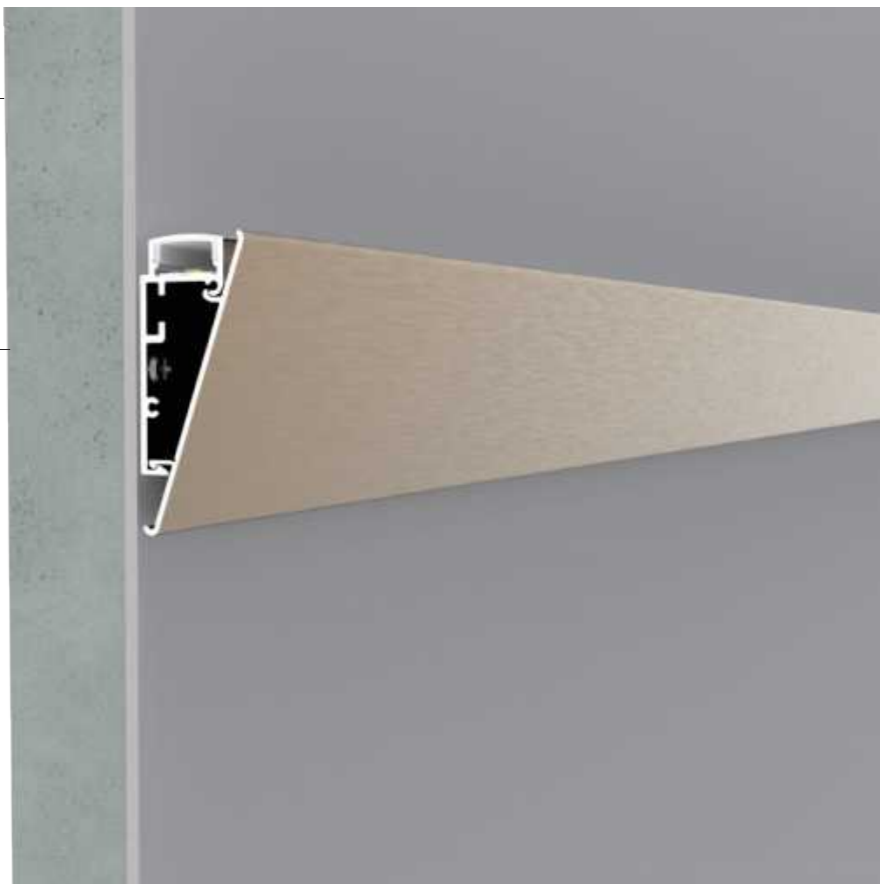
90° Horizontal connector



90° Vertical connector



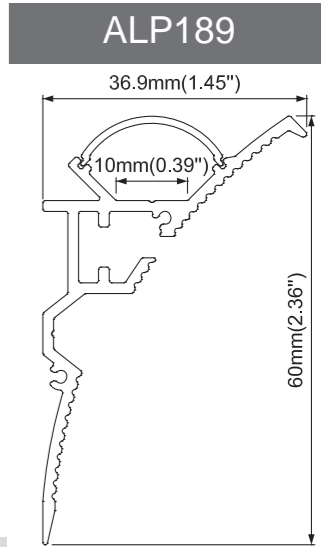
180° Connector



Types of installation:



Material: Extruded aluminum
Dimension: 36.9x60mm
Length: MAX 5m



FINISH



END CAPS



End Caps

DIFFUSERS



PC diffused cover

ACCESSORIES



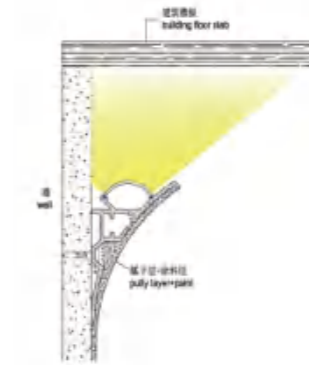
90° Horizontal connector



90° Vertical connector



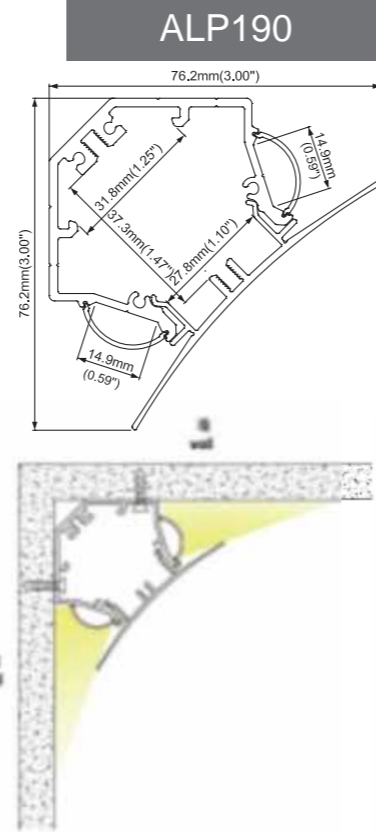
180° Connector



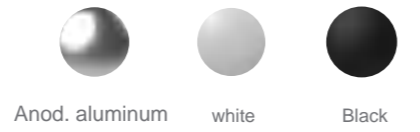
Types of installation:



Material: Extruded aluminum
Dimension: 76.2x76.2mm
Length: MAX 5m



FINISH



END CAPS



End Caps

DIFFUSERS



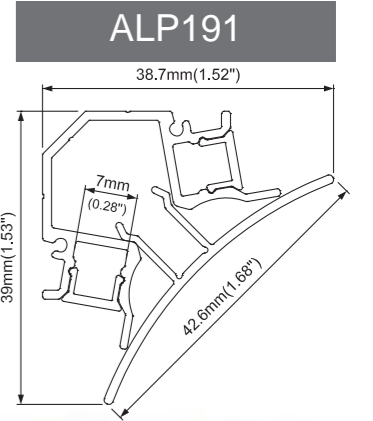
PC diffused cover



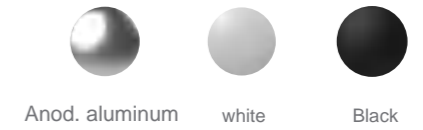
Types of installation:



Material: Extruded aluminum
Dimension: 38.7x39mm
Length: MAX 5m



FINISH



END CAPS



End Caps

DIFFUSERS



PC diffused cover

ACCESSORIES

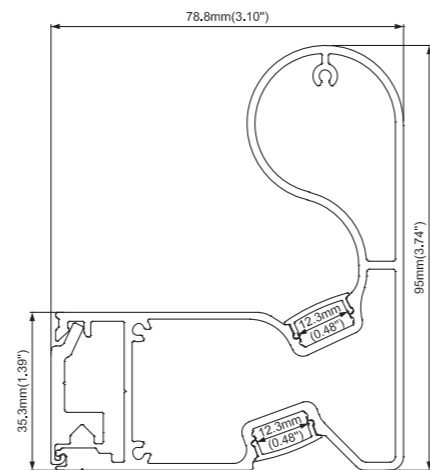


Mounting clip (metal)





ALP192

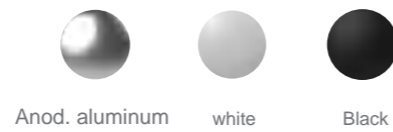


Types of installation:



Material: Extruded aluminum
Dimension: 78.8x95mm
Length: MAX 5m

FINISH



END CAPS

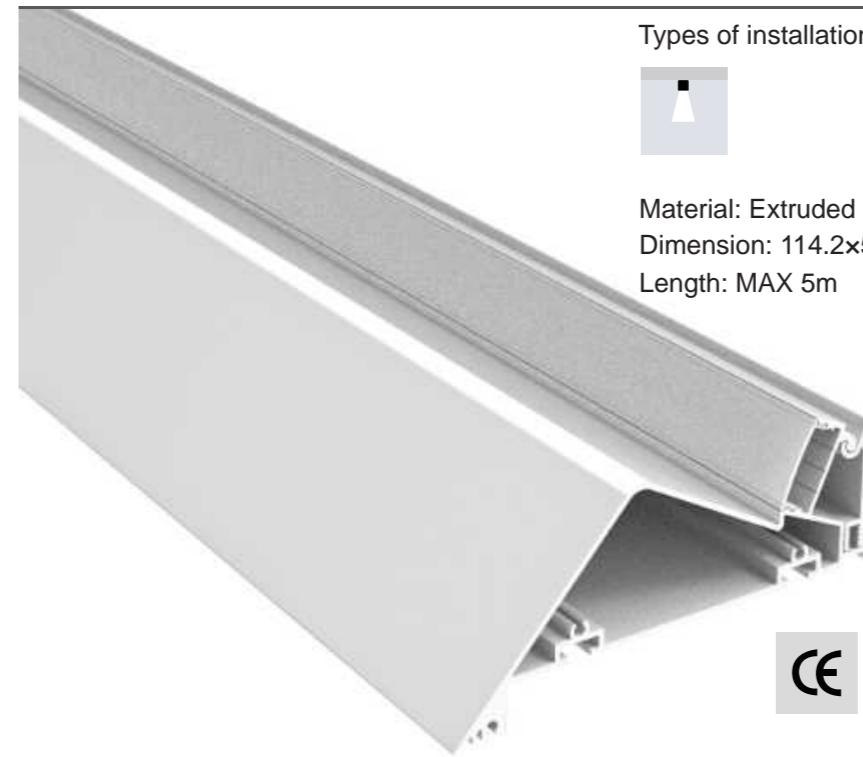
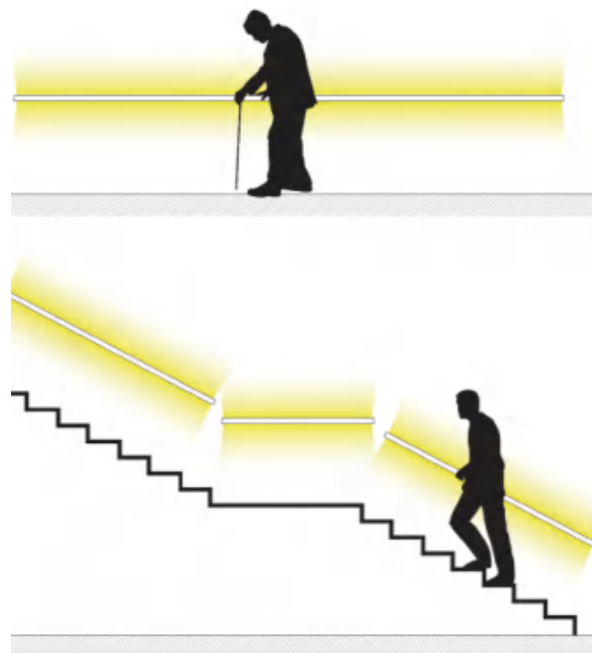
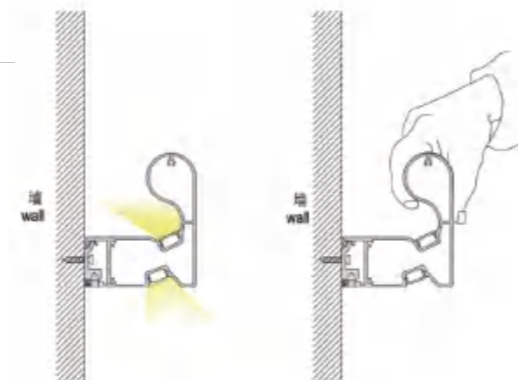


End Caps

DIFFUSERS



PC diffused cover



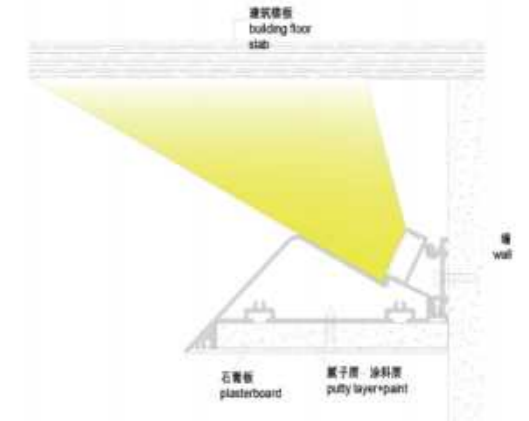
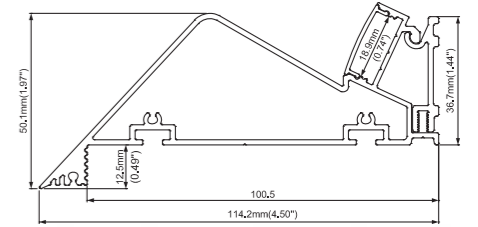
Types of installation:



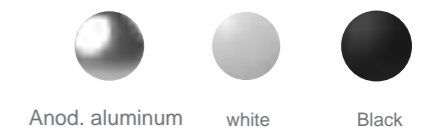
Material: Extruded aluminum
Dimension: 114.2x50.1mm
Length: MAX 5m



ALP193



FINISH



END CAPS



End Caps

DIFFUSERS



PC diffused cover

ACCESSORIES



90° Connector



90° Vertical connector



180° Connector



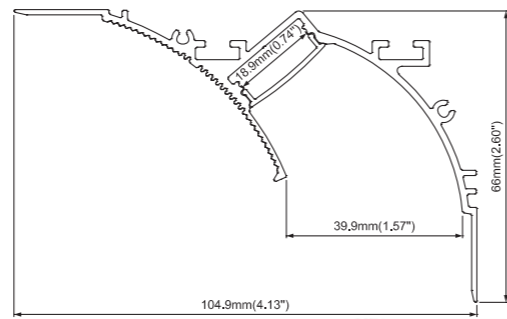
Types of installation:



Material: Extruded aluminum
Dimension: 104.6x66mm
Length: MAX 5m



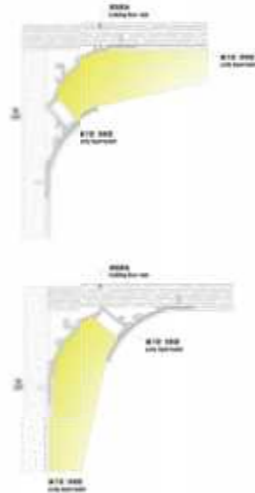
ALP194



FINISH



white



END CAPS



End Caps

DIFFUSERS



PC diffused cover

ACCESSORIES



90° Horizontal connector



90° Vertical connector



180° Connector



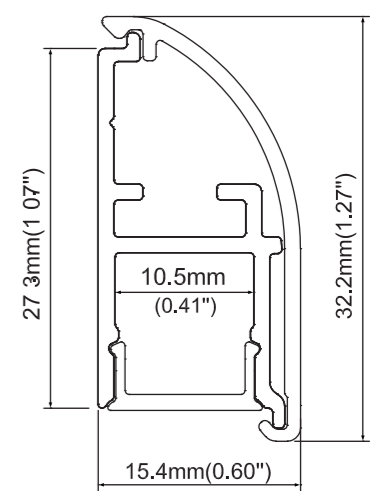
Types of installation:



Material: Extruded aluminum
Dimension: 15.4x32.2mm
Length: MAX 5m



ALP195



FINISH



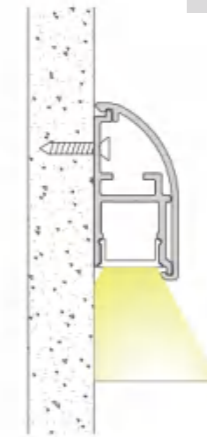
Anod. aluminum



white



Black



END CAPS



End Caps

DIFFUSERS



PC diffused cover

ACCESSORIES



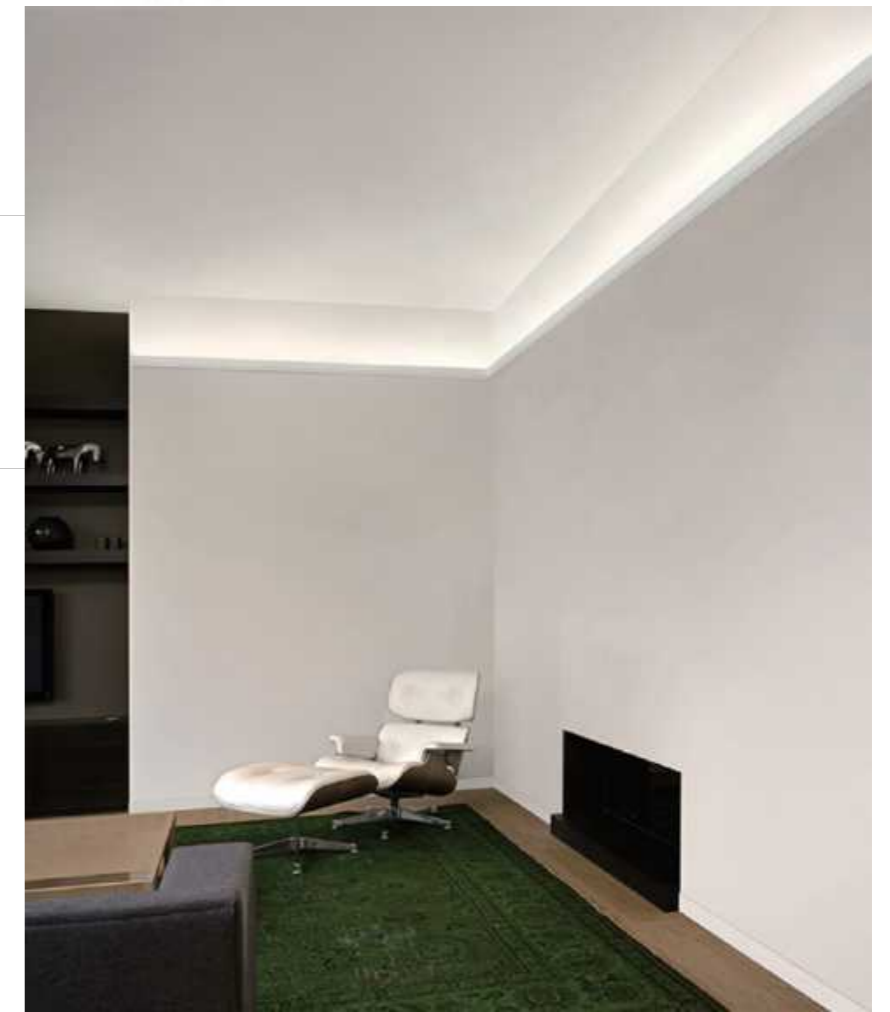
90° Horizontal connector



90° Vertical connector



180° Connector



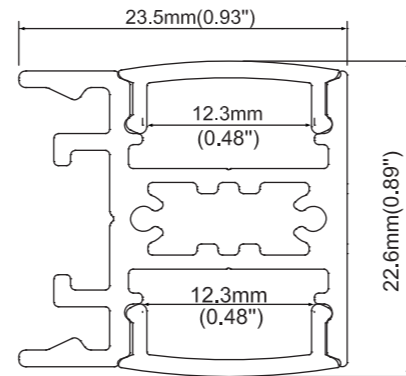
Types of installation:



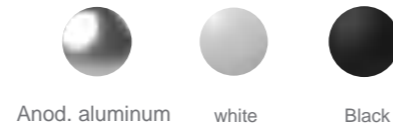
Material: Extruded aluminum
Dimension: 23.5x22.6mm
Length: MAX 5m



ALP196



FINISH



END CAPS



End Caps

DIFFUSERS



PC diffused cover

ACCESSORIES



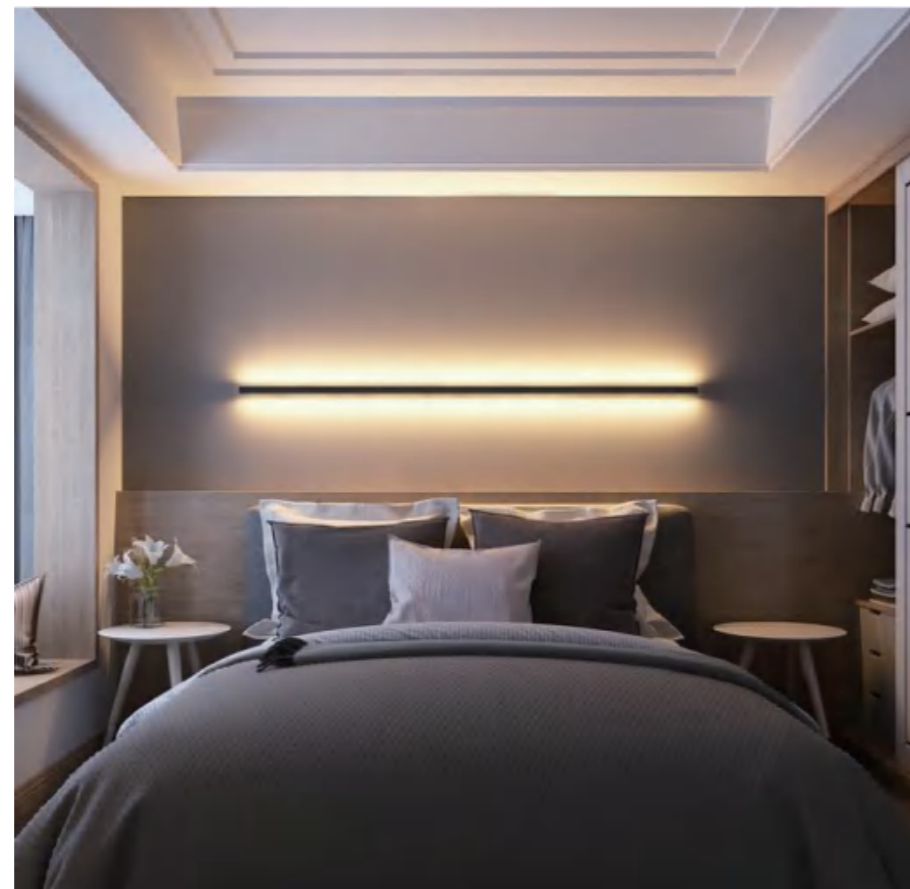
90° Connector



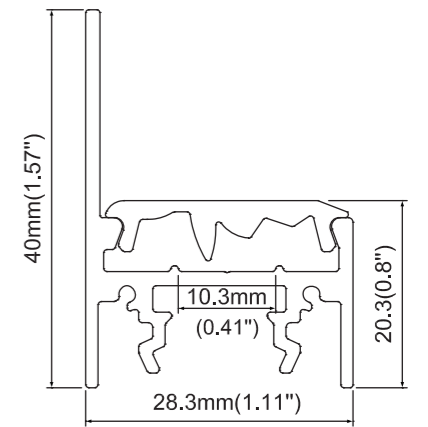
90° Vertical connector



Mounting clip (metal)



ALP183



Types of installation:



Material: Extruded aluminum
Dimension: 28.3x40mm
Length: MAX 5m

FINISH



END CAPS



End Caps

ACCESSORIES



Mounting clip (metal)



Spring clip

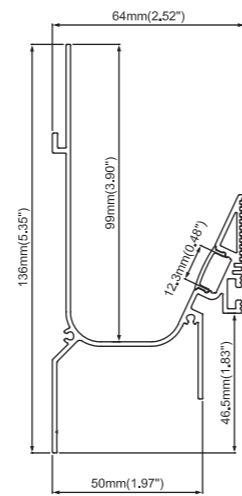


Lens





ALP197



Types of installation:



Material: Extruded aluminum
Dimension: 64x136mm
Length: MAX 5m

END CAPS



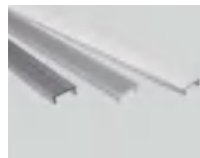
End cap with hole
End cap without hole



FINISH



DIFFUSERS

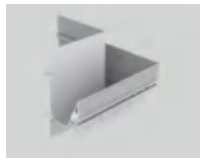


PMMA opal matte cover
PMMA semi-clear cover
PMMA clear cover
PC diffused cover

ACCESSORIES



90° Inside Connector



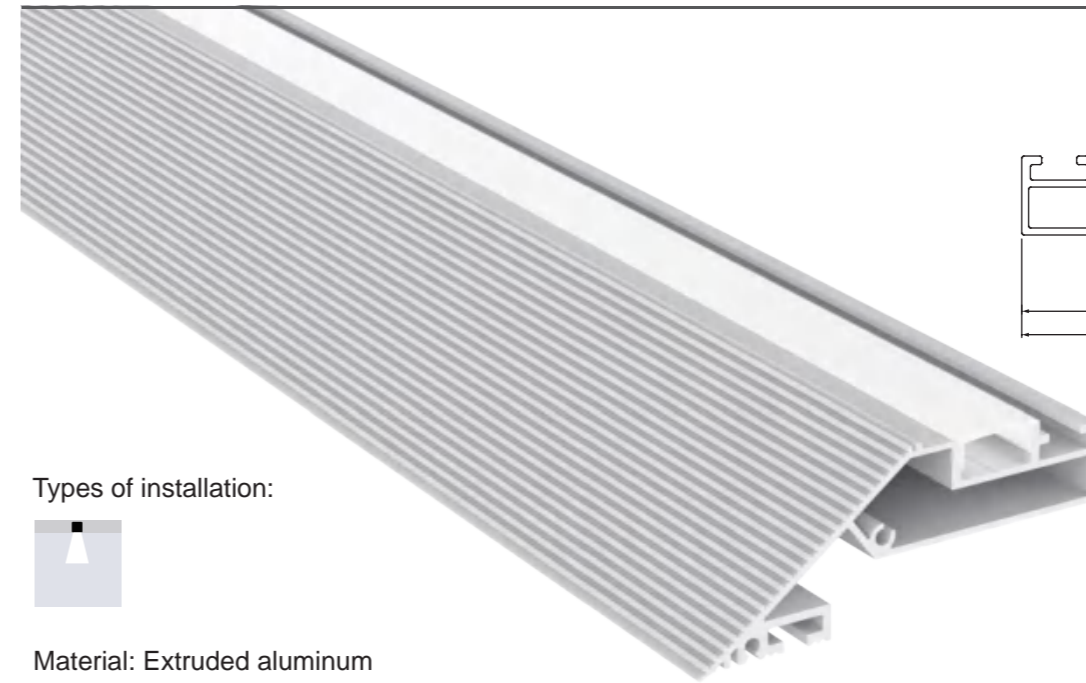
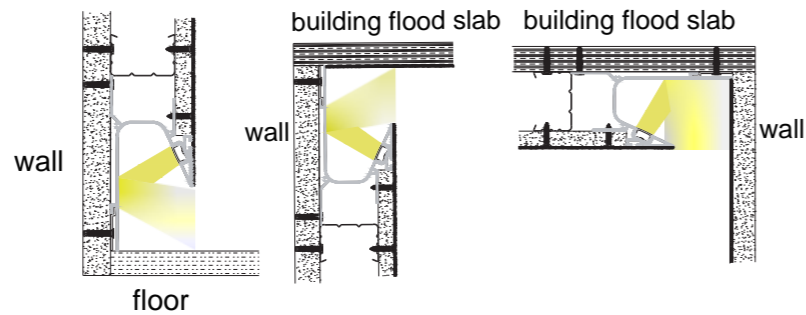
90° Outside Connector



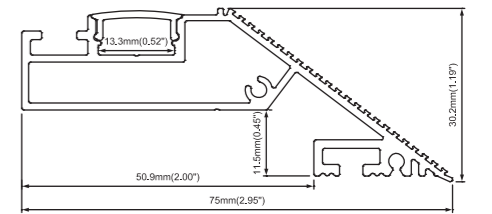
180° Connector



Clip



ALP198



Types of installation:



Material: Extruded aluminum
Dimension: 75x30.17mm
Length: MAX 5m

END CAPS



End caps

DIFFUSERS



PMMA opal matte cover
PMMA semi-clear cover
PMMA clear cover
PC diffused cover

ACCESSORIES



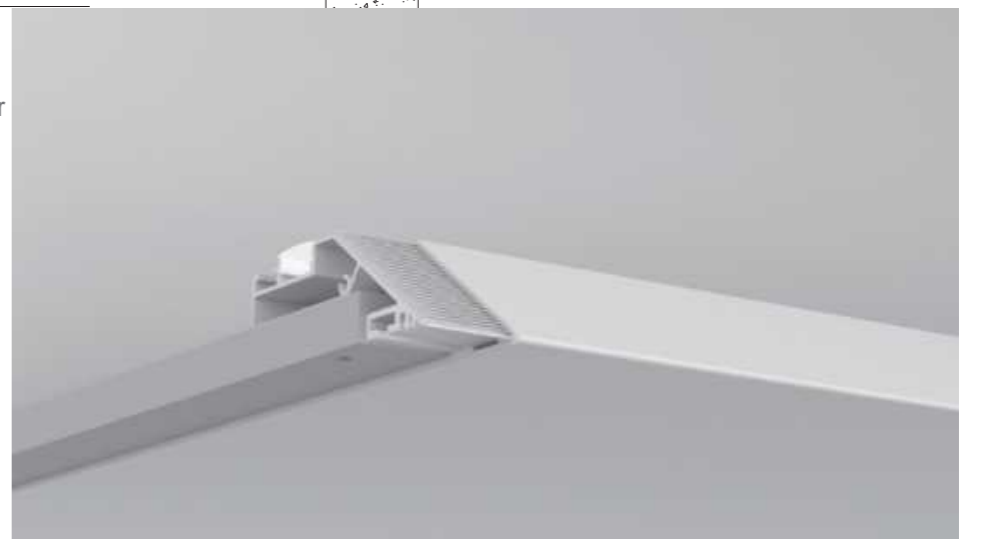
90° Outside Connector



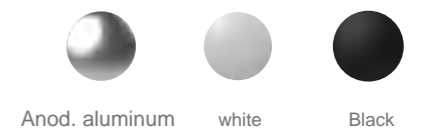
90° Inside Connector

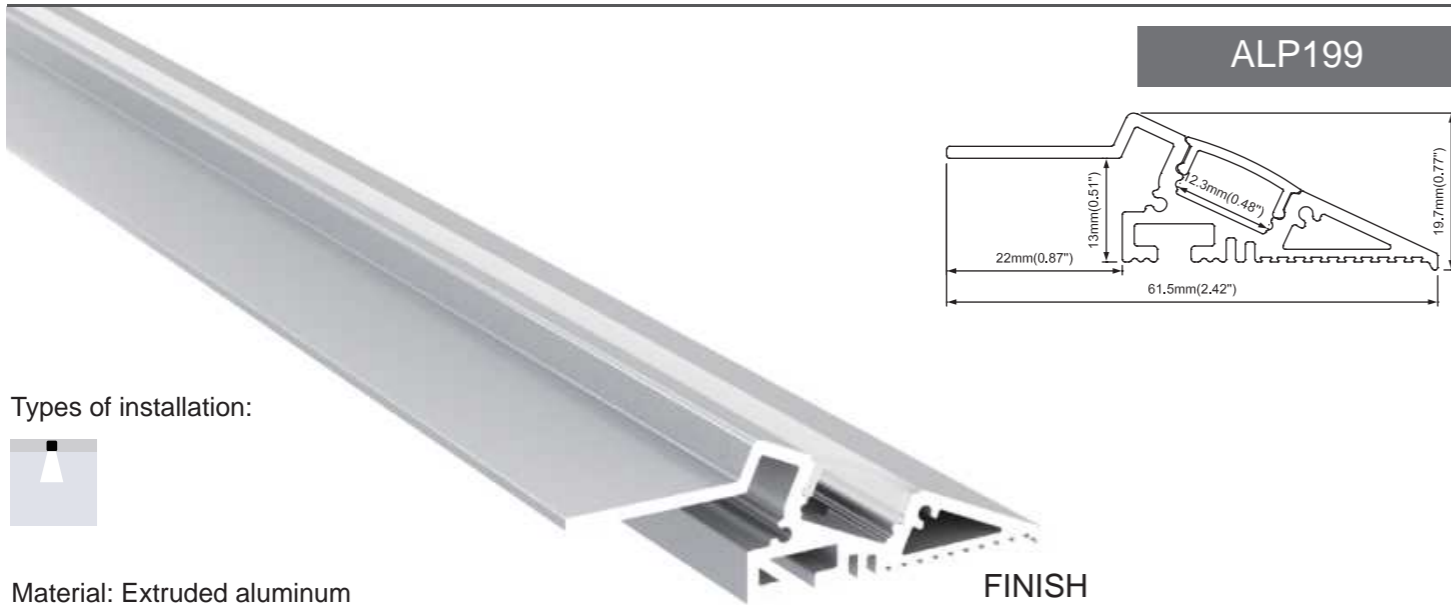


180° Connector

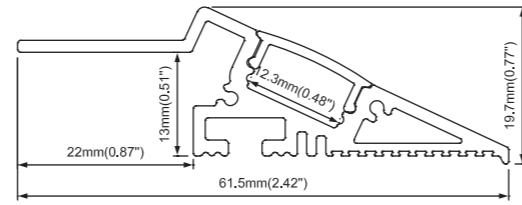


FINISH





ALP199



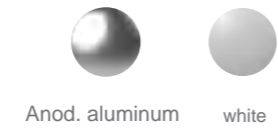
Types of installation:



Material: Extruded aluminum
Dimension: 61.5x19.7mm
Length: MAX 5m



FINISH



END CAPS



End cap with hole
End cap without hole

DIFFUSERS



PMMA opal matte cover
PMMA semi-clear cover
PMMA clear cover
PC diffused cover

ACCESSORIES



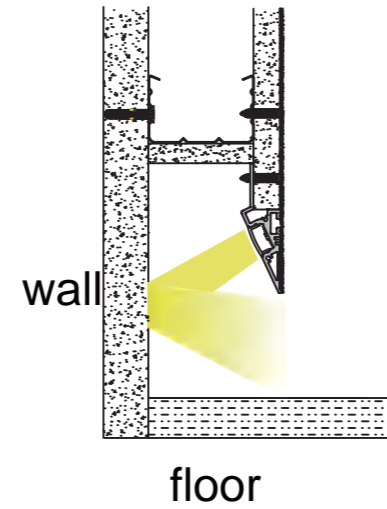
90° Inside Connector



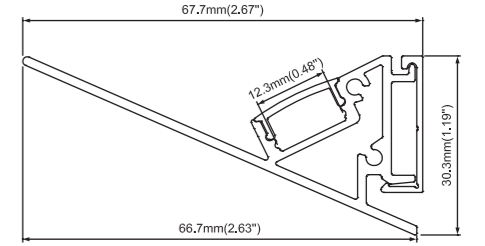
90° Outside Connector



180° Connector



ALP200



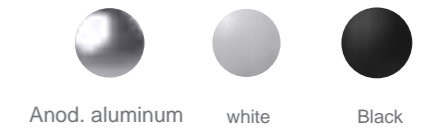
Types of installation:



Material: Extruded aluminum
Dimension: 67.7x30.3mm
Length: MAX 5m



FINISH



END CAPS

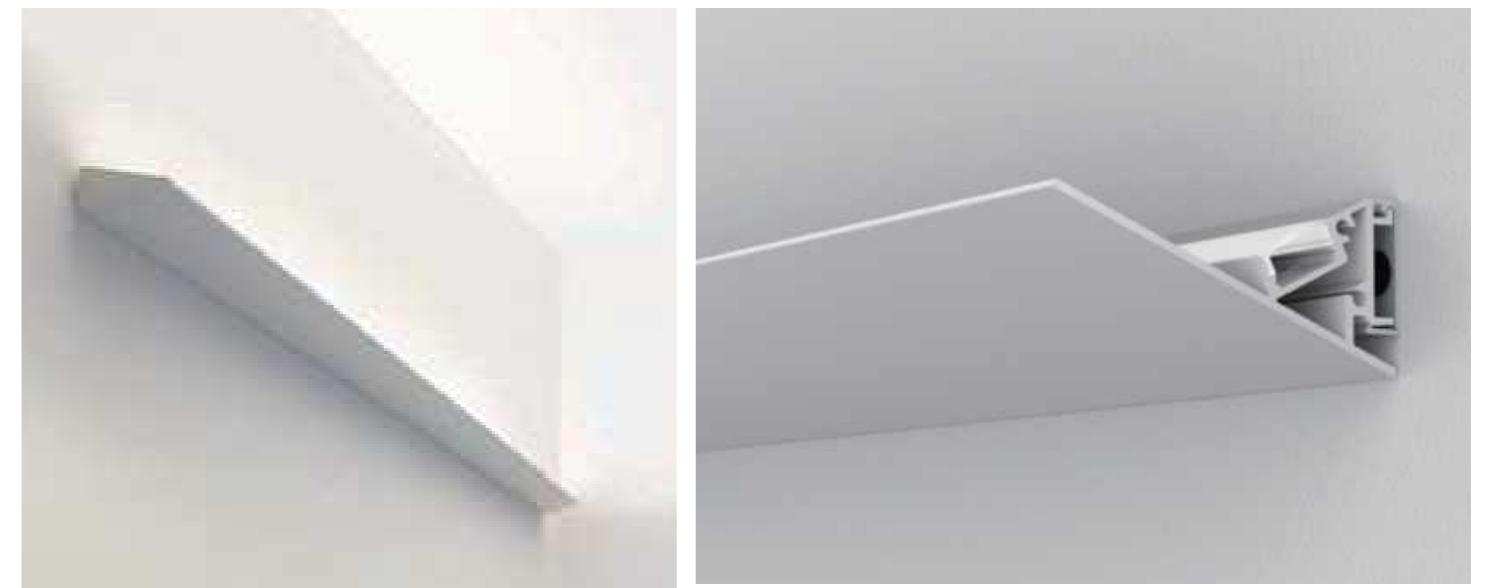
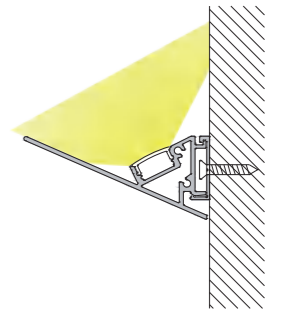


End caps

DIFFUSERS



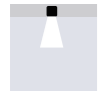
PMMA opal matte cover
PMMA semi-clear cover
PMMA clear cover
PC diffused cover





ALP201

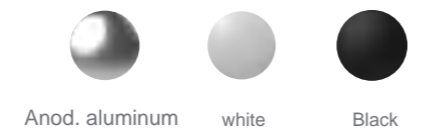
Types of installation:



Material: Extruded aluminum
Dimension: 81x33.4mm
Length: MAX 5m



FINISH



END CAPS



End caps

DIFFUSERS



PC diffused cover



PC diffused cover

ACCESSORIES



90° Horizontal connector



90° Vertical connector



180° Connector



ALP202

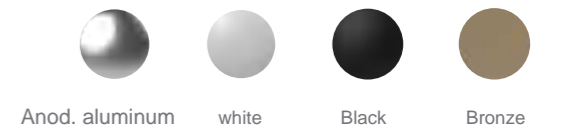
Types of installation:



Material: Extruded aluminum
Dimension: 21x10mm
Length: MAX 5m



FINISH



Types of installation:



END CAPS



End caps

DIFFUSERS

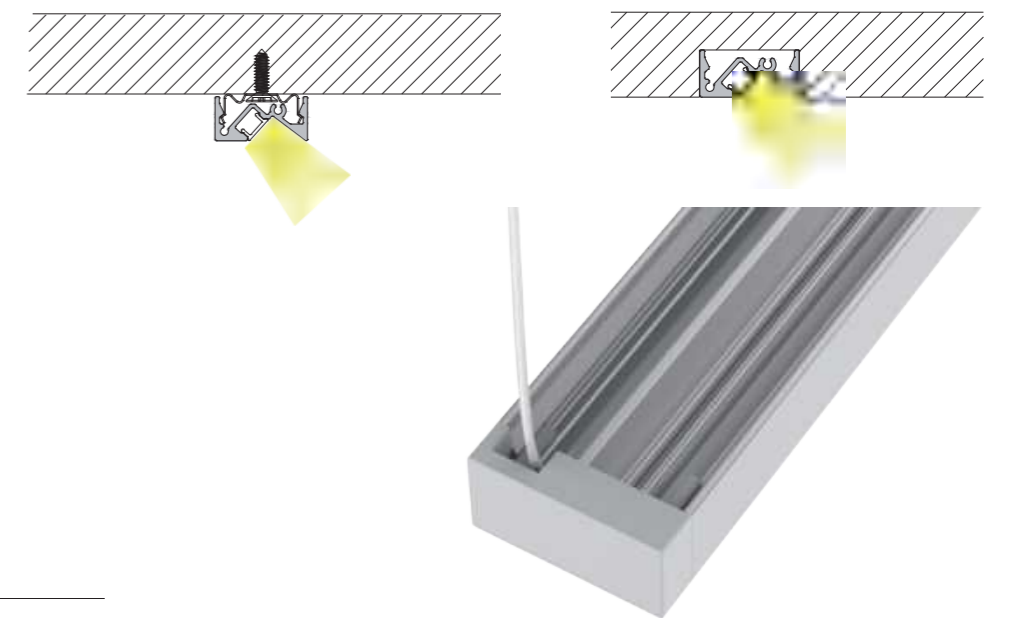


PC frosted cover

ACCESSORIES



Mounting clip (metal)

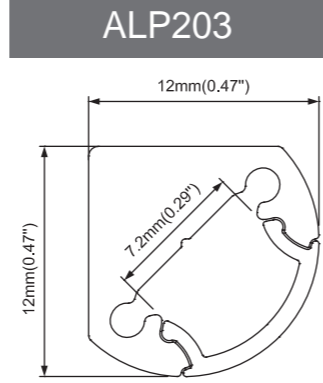




Types of installation:



Material: Extruded aluminum
Dimension: 12x12mm
Length: MAX 5m



END CAPS



End caps

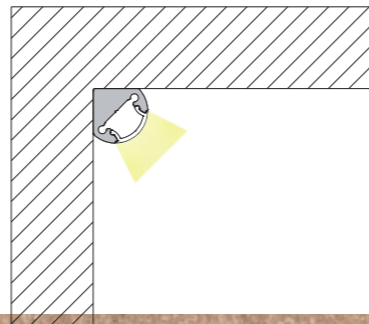
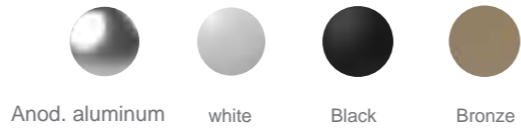
ACCESSORIES



3M tape



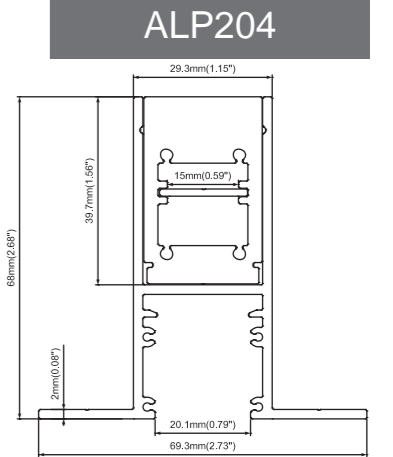
FINISH



Types of installation:



Material: Extruded aluminum
Dimension: 69.3x68mm
Length: MAX 5m



FINISH



END CAPS



End caps



plastic End caps



silicon gasket

ACCESSORIES



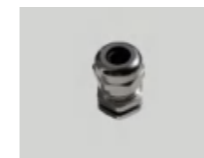
Antifouling cover



Aluminium PCB tray



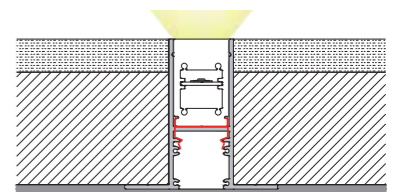
Aluminium profile

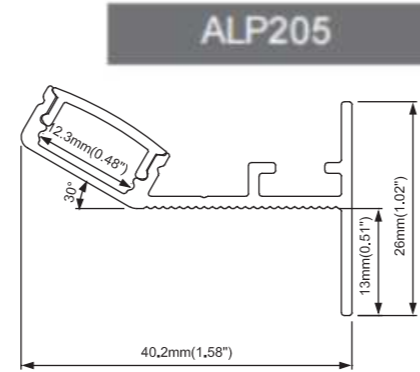


Waterproof Cable Grommet



Clip





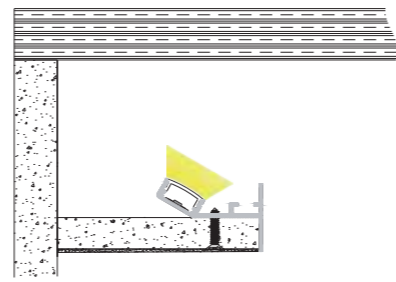
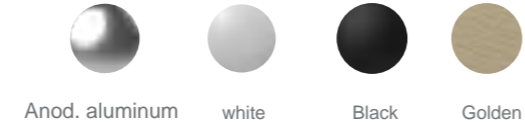
Types of installation:



Material: Extruded aluminum
Dimension: 40.25x26mm
Length: MAX 5m
Compatible with 12.5mm drywall



FINISH

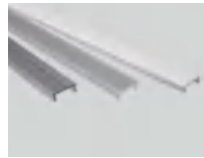


END CAPS



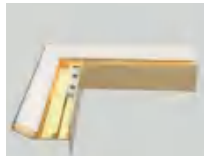
End cap with hole
End cap without hole

DIFFUSERS



PMMA opal matte cover
PMMA semi-clear cover
PMMA clear cover
PC diffused cover

ACCESSORIES



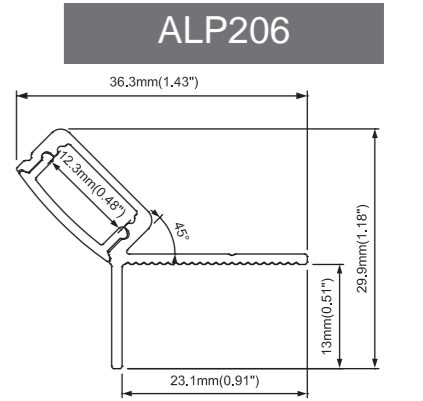
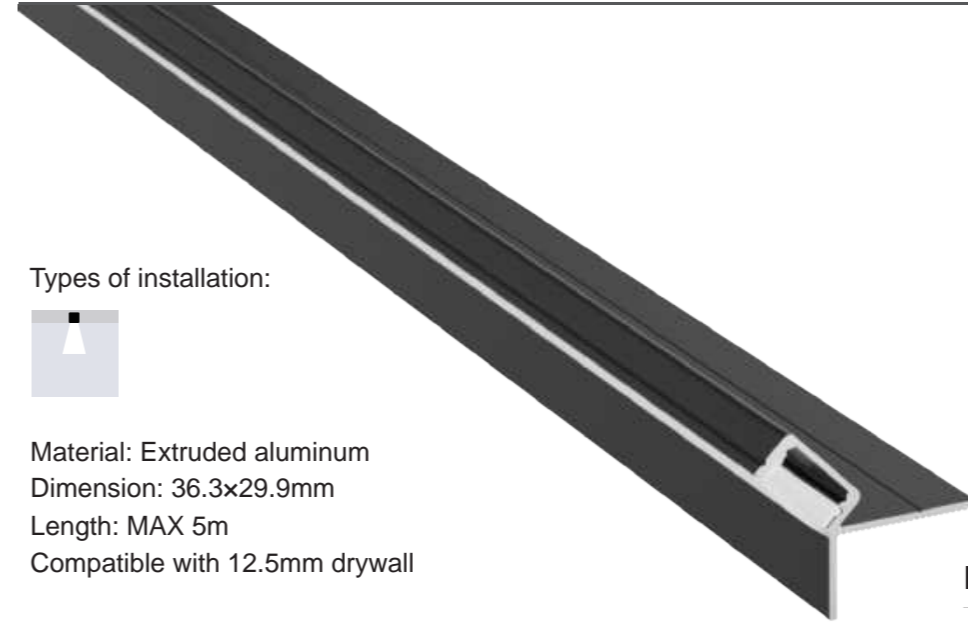
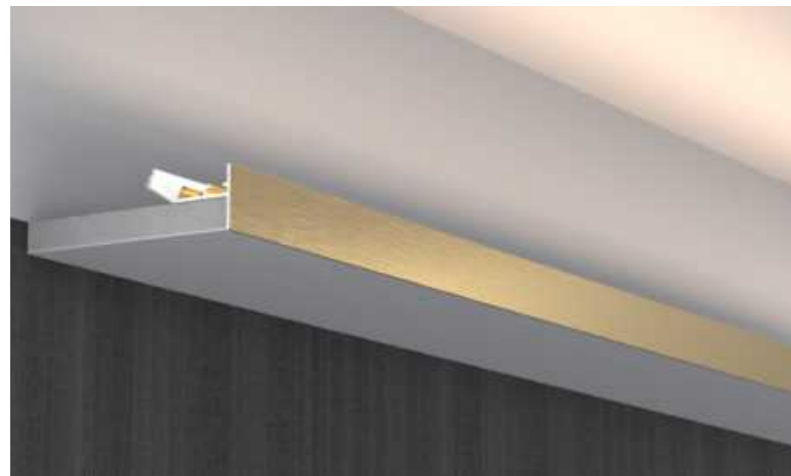
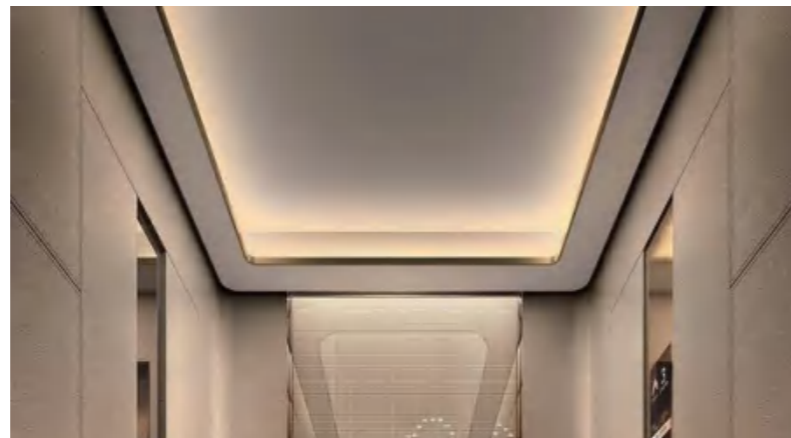
90° Inside Connector



90° Outside Connector



180° Connector



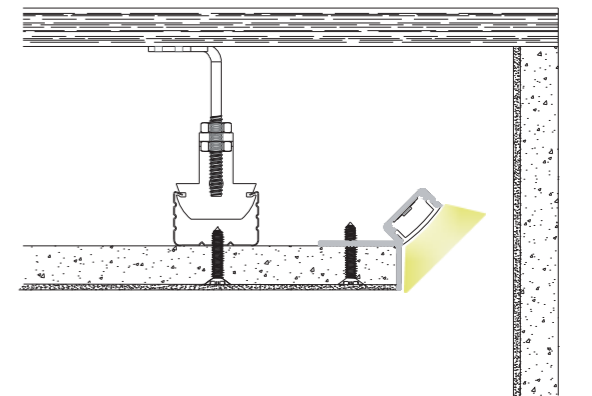
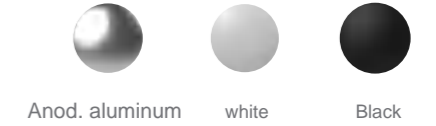
Types of installation:



Material: Extruded aluminum
Dimension: 36.3x29.9mm
Length: MAX 5m
Compatible with 12.5mm drywall



FINISH



END CAPS

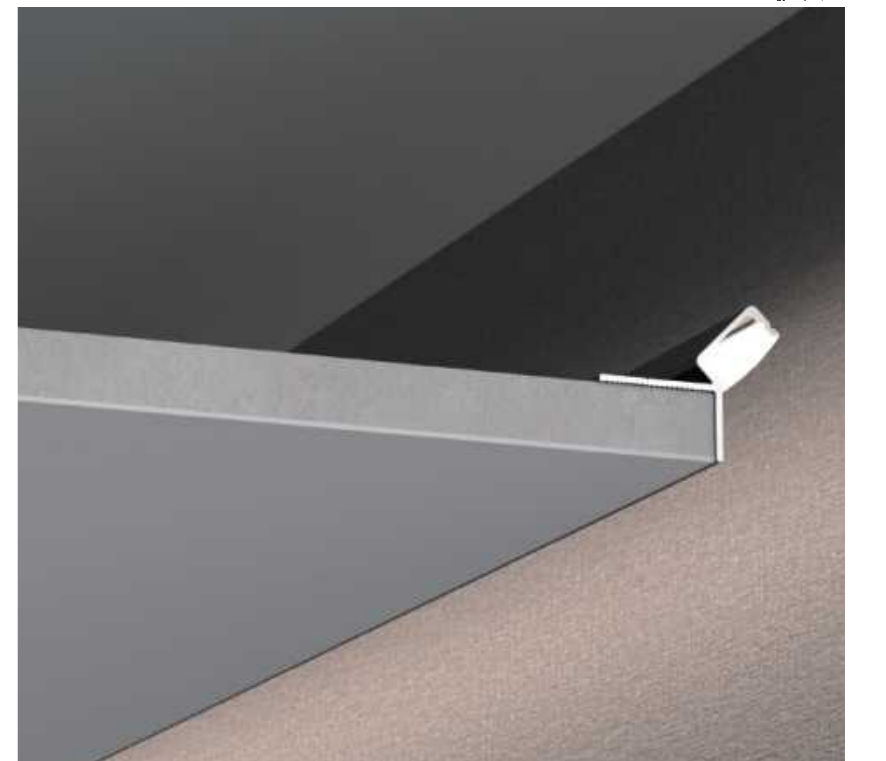


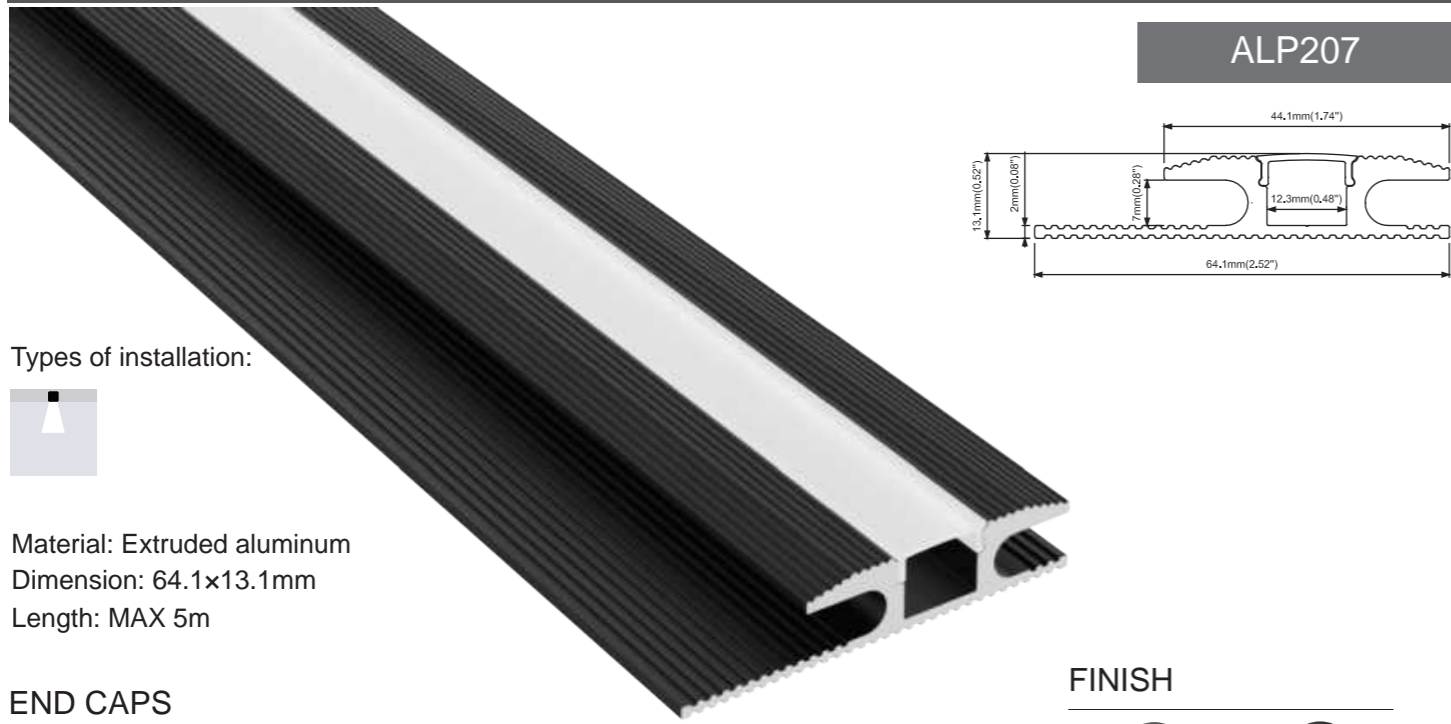
End cap with hole
End cap without hole

DIFFUSERS



PMMA opal matte cover
PMMA semi-clear cover
PMMA clear cover
PC diffused cover





Types of installation:



Material: Extruded aluminum
Dimension: 64.1x13.1mm
Length: MAX 5m

END CAPS



End cap with hole
End cap without hole



FINISH



Anod. aluminum Black

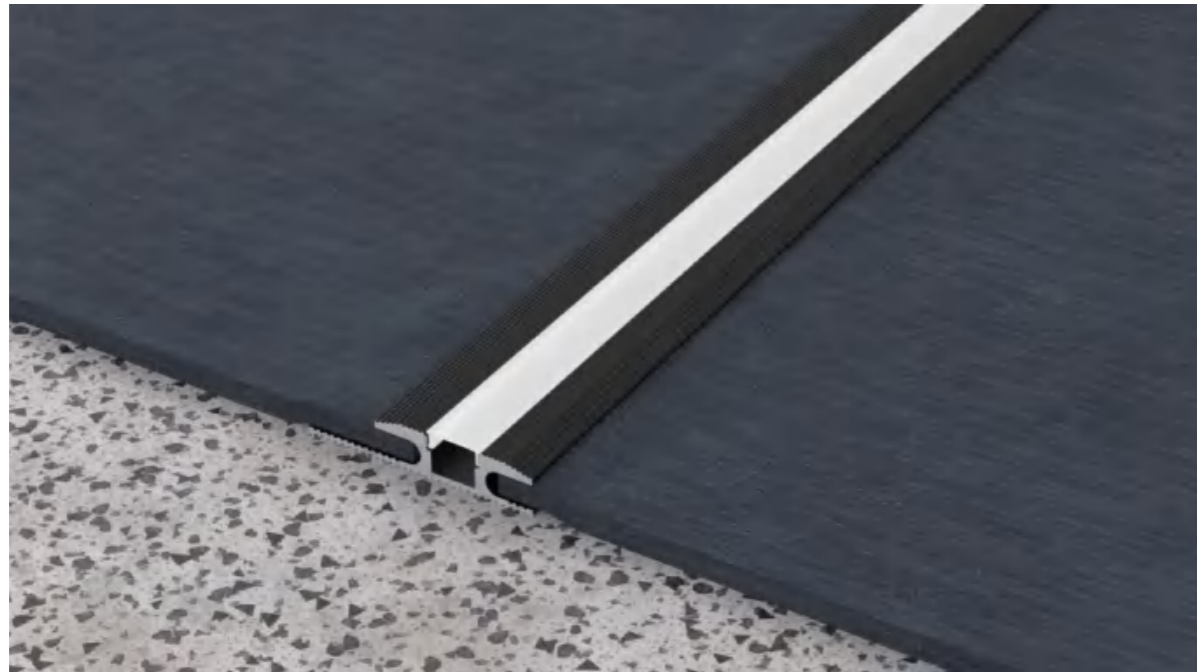
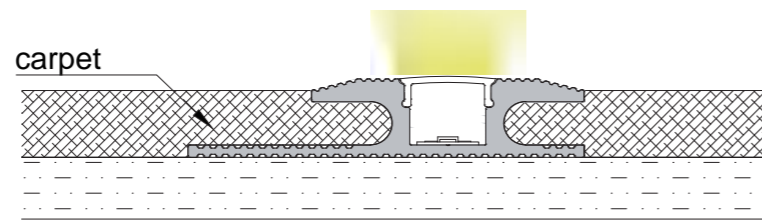
DIFFUSERS



PC frosted cover



Black PC frosted cover



Types of installation:



Material: Extruded aluminum
Dimension: 44.1x11.2mm
Length: MAX 5m

END CAPS



End cap with hole
End cap without hole



FINISH



Anod. aluminum Black

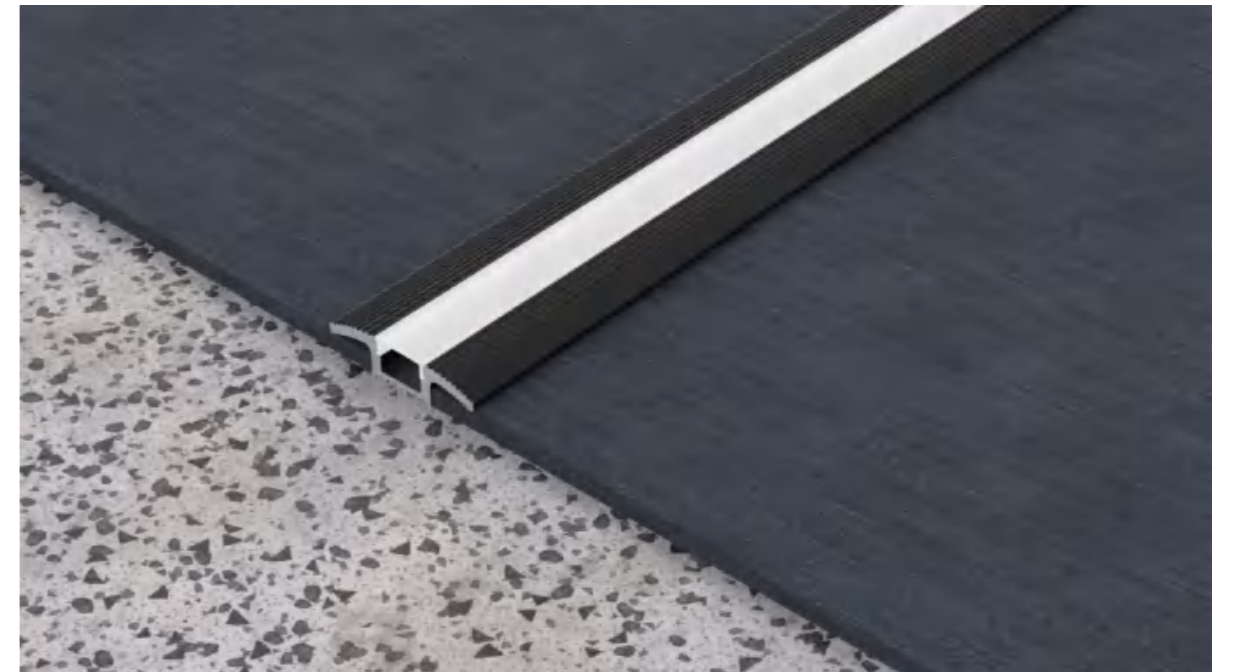
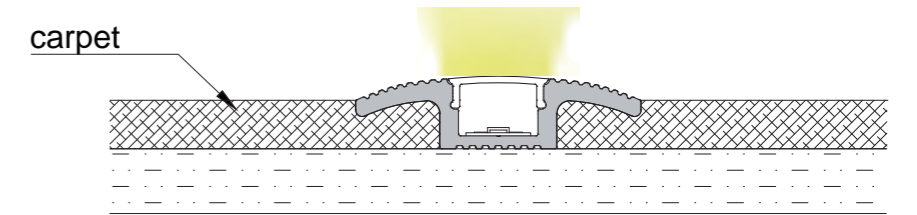
DIFFUSERS



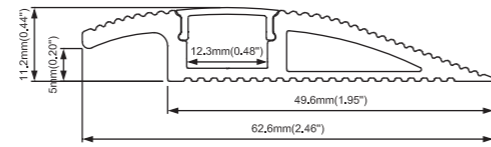
PC frosted cover



Black PC frosted cover



ALP209



Types of installation:



Material: Extruded aluminum
Dimension: 62.1x11.2mm
Length: MAX 5m

END CAPS



End cap with hole
End cap without hole



FINISH



Anod. aluminum Black

DIFFUSERS

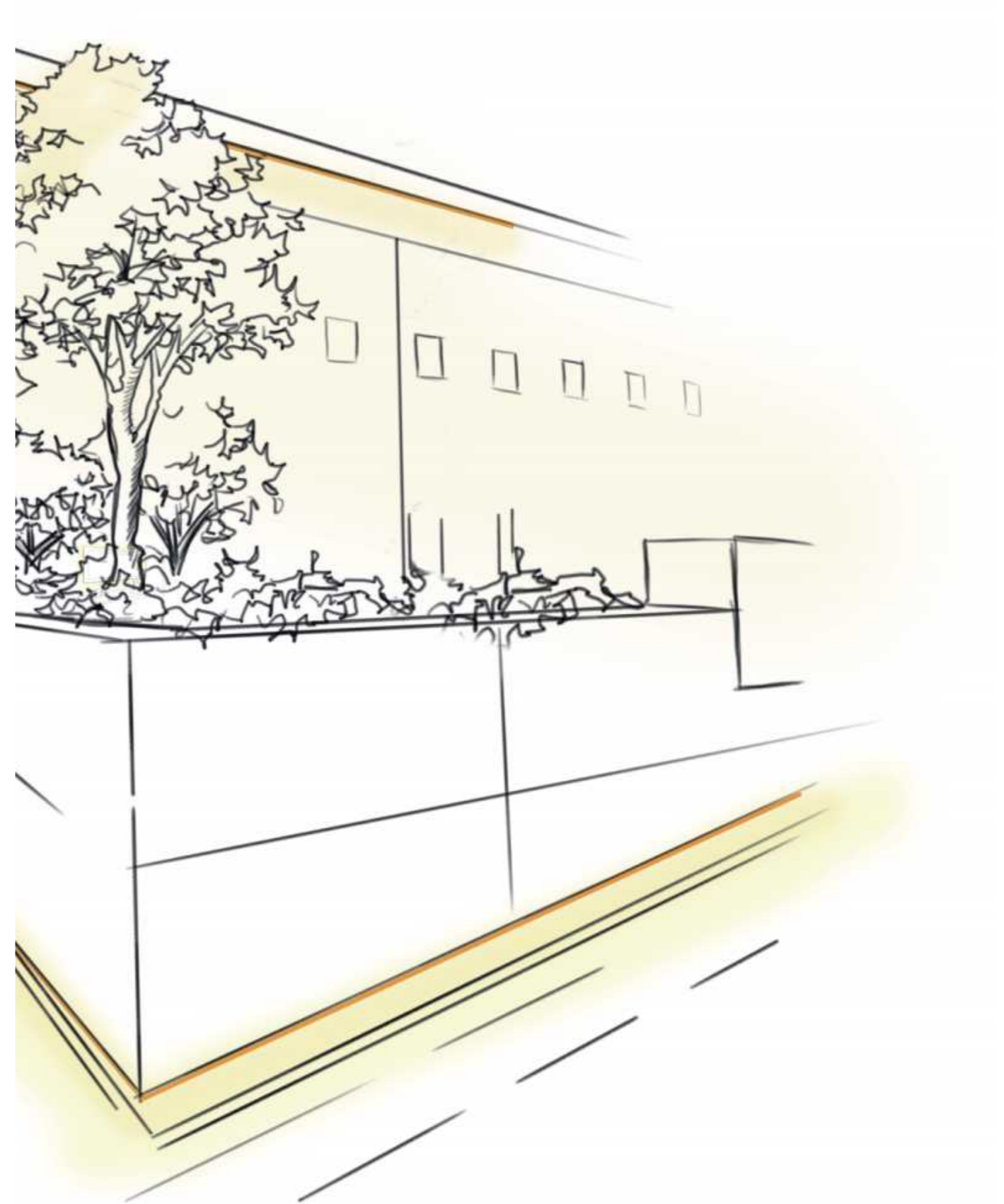
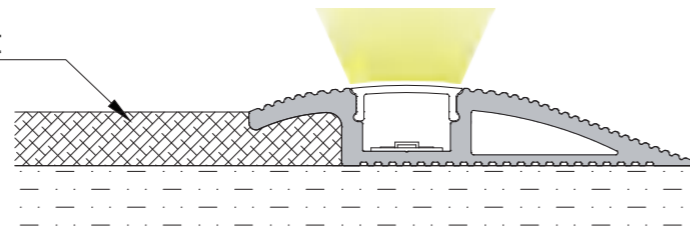


PC frosted cover

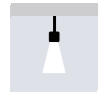


Black PC frosted cover

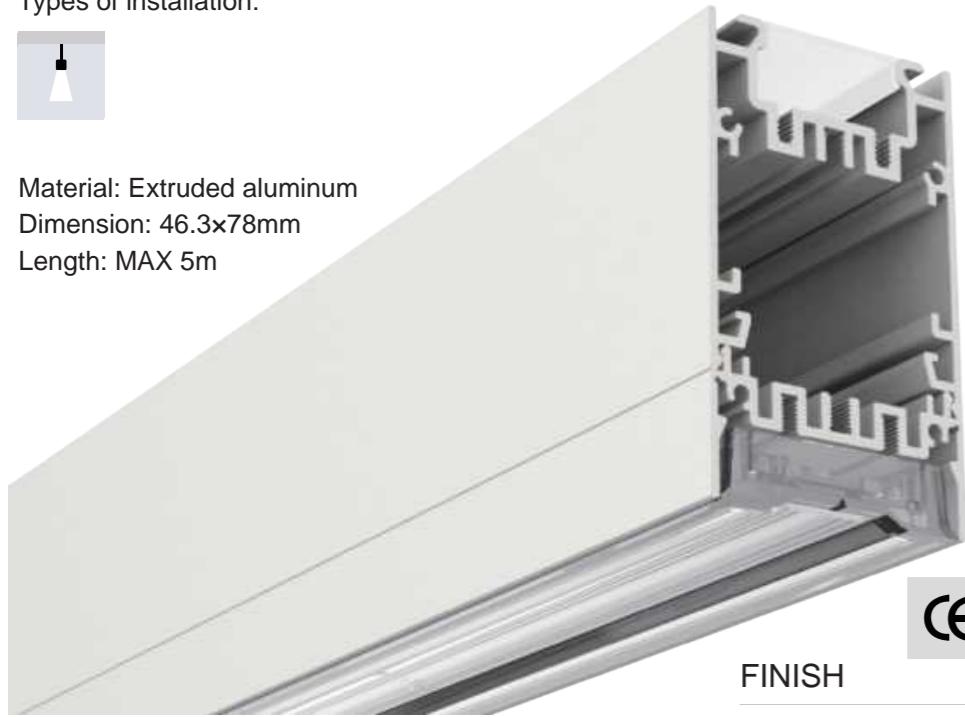
carpet



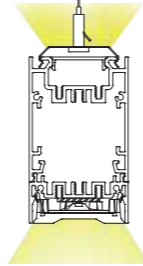
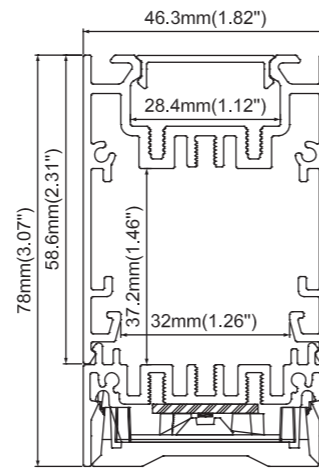
Types of installation:



Material: Extruded aluminum
Dimension: 46.3x78mm
Length: MAX 5m



ALP4678



IP20

FINISH



Anod. aluminum



white



Black

END CAPS



End caps

DIFFUSERS



Linear Optics
VS LIGHTING SOLUTIONS



PC frosted cover

ACCESSORIES



Blind cover



Mounting clip
(metal)



Connector X



Connector L



Connector T



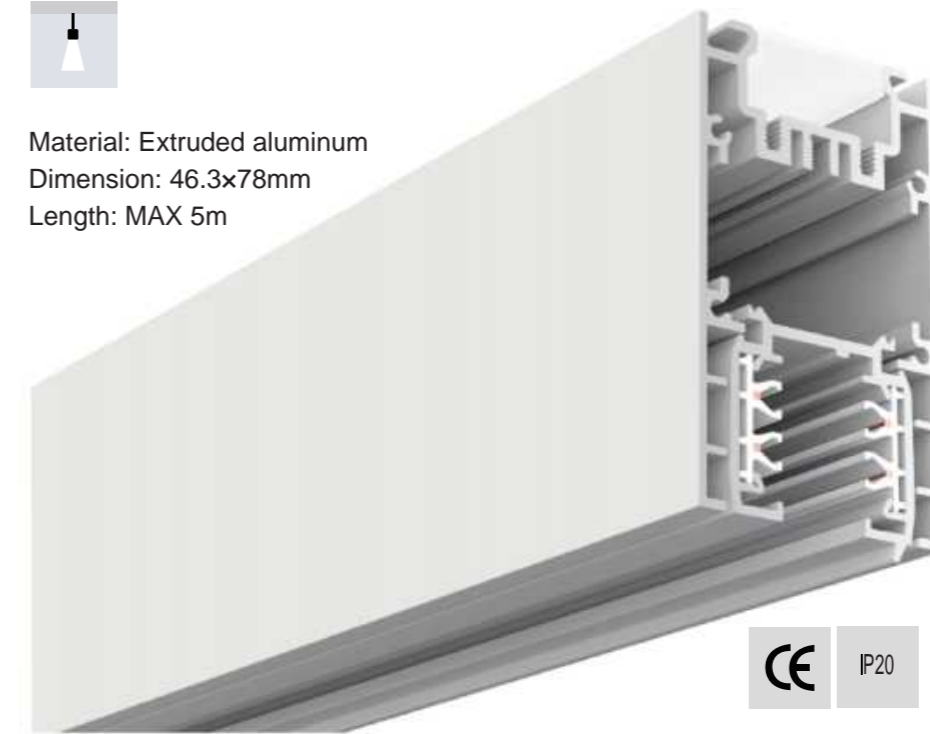
LED module



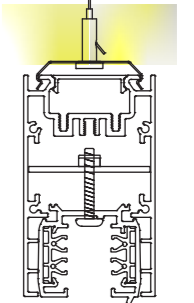
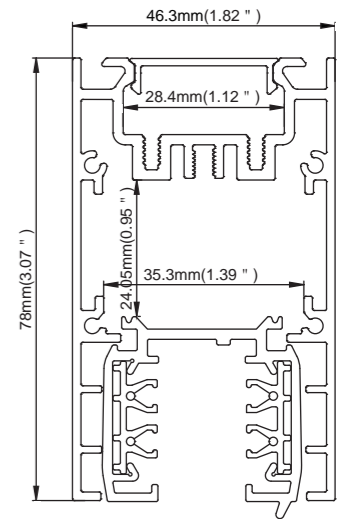
Types of installation:



Material: Extruded aluminum
Dimension: 46.3x78mm
Length: MAX 5m



ALP4678-TK



IP20

FINISH



Anod. aluminum



white



Black

END CAPS



End caps

DIFFUSERS



PC frosted cover

ACCESSORIES



Mounting clip
(metal)



Safety wire



Connector X



TRACK



Steel wire



Connector T



Spot lighting
(15° 24° 36°)



Clip



Connector L

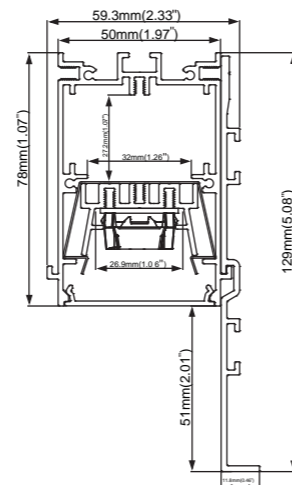
Types of installation:



Material: Extruded aluminum
Dimension: 59.8x78mm
Length: MAX 5m



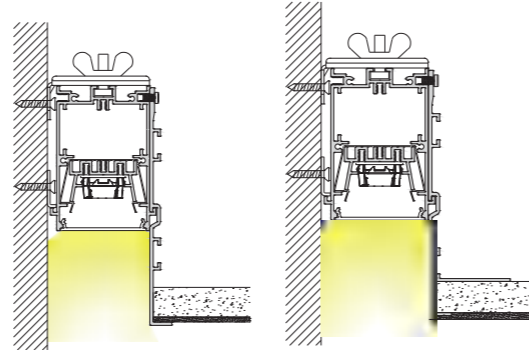
ALP5078



FINISH



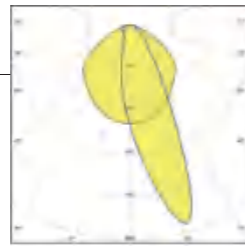
Anod. aluminum white Black



END CAPS



End caps



DIFFUSERS



PC clear cover



Linear Optics
LEDiL

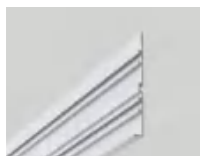
ACCESSORIES



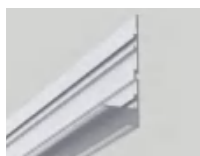
Clip



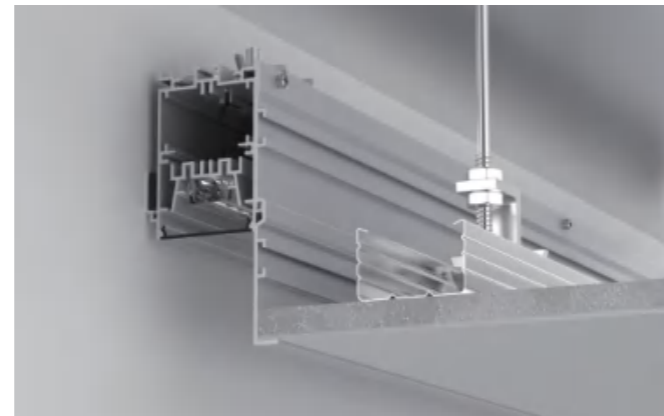
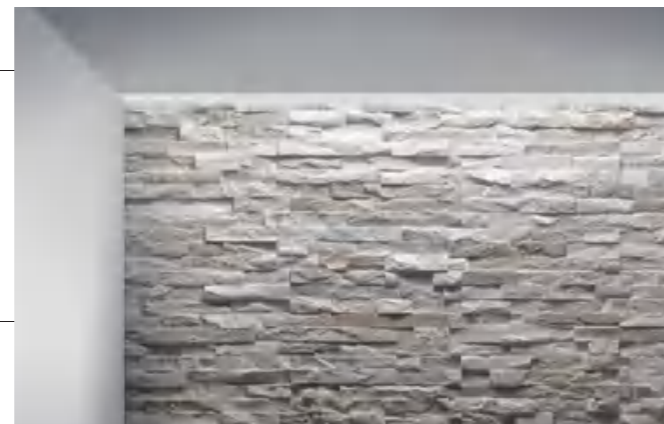
Safety wire



Recessed Trim



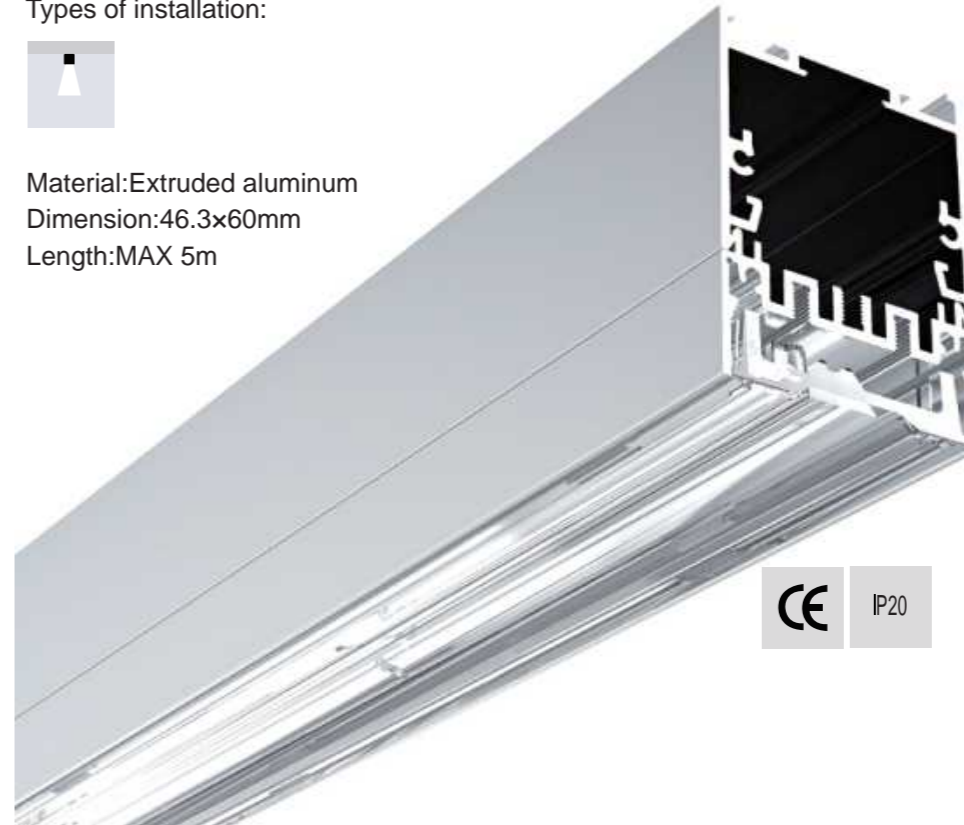
Recessed Trimless



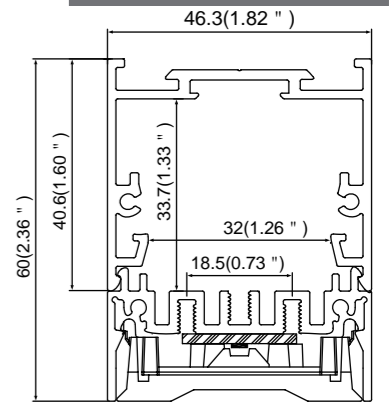
Types of installation:



Material: Extruded aluminum
Dimension: 46.3x60mm
Length: MAX 5m



ALP4660



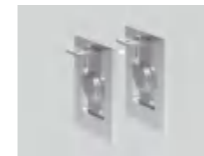
FINISH



Anod. aluminum white Black



END CAPS



End Caps

ACCESSORIES



VS lens



Connector L



Connector T



Connector I



Extra Wide 110°



Narrow 30°



Wide 90°



Retail SYM 1



Diffuse 100°



Retail SYM 2



Medium 60°



Retail ASYM

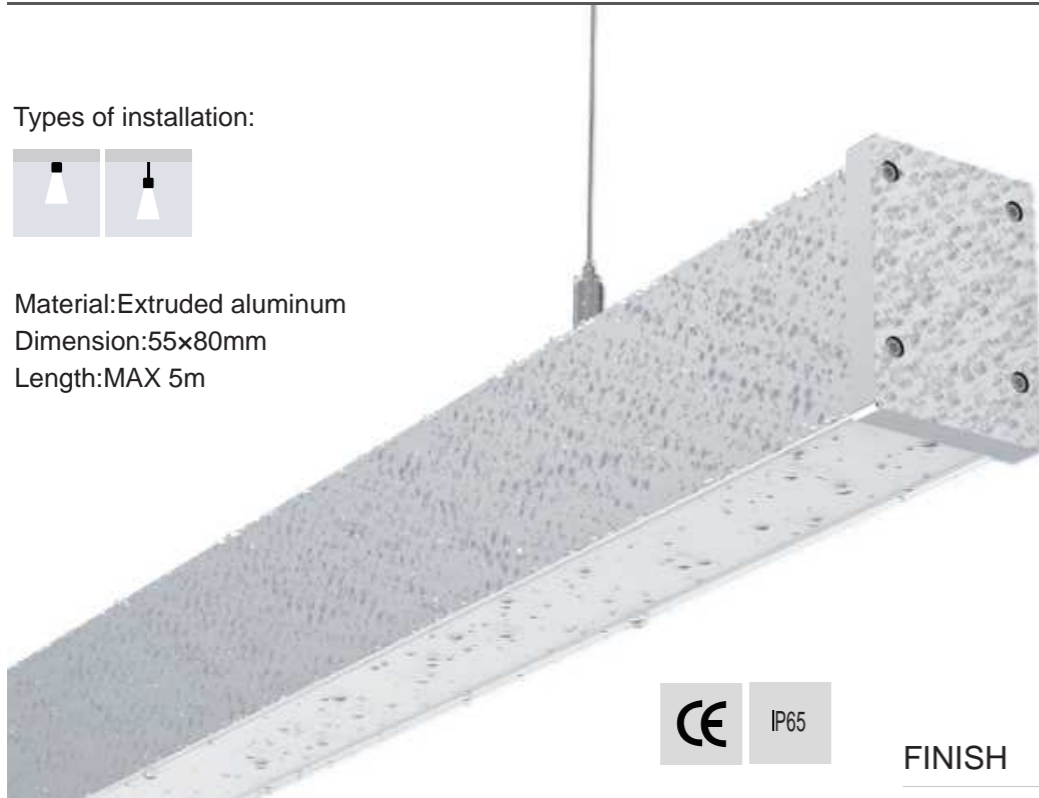


Medium 60° UGR

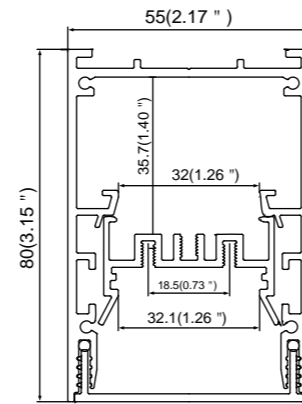
Types of installation:



Material: Extruded aluminum
Dimension: 55x80mm
Length: MAX 5m



ALP5580



FINISH



Anod. aluminum white Black

END CAPS



End Caps

DIFFUSERS

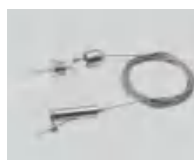


PC frosted cover

ACCESSORIES



Internal Clip



Steel wire



Hanging clip

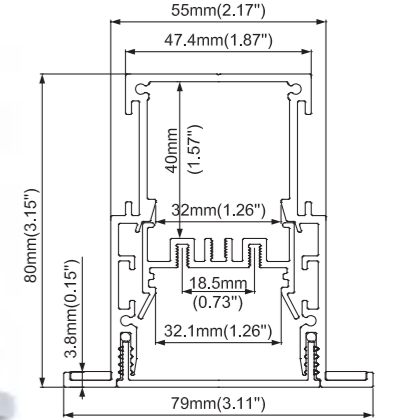
Types of installation:



Material: Extruded aluminum
Dimension: 79x80mm
Length: MAX.6m



ALP5580-T



FINISH



Anod. aluminum white Black

END CAPS



End Caps

DIFFUSERS

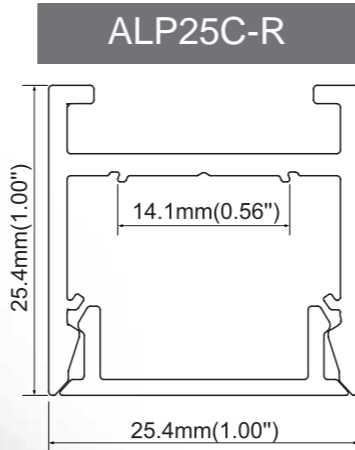
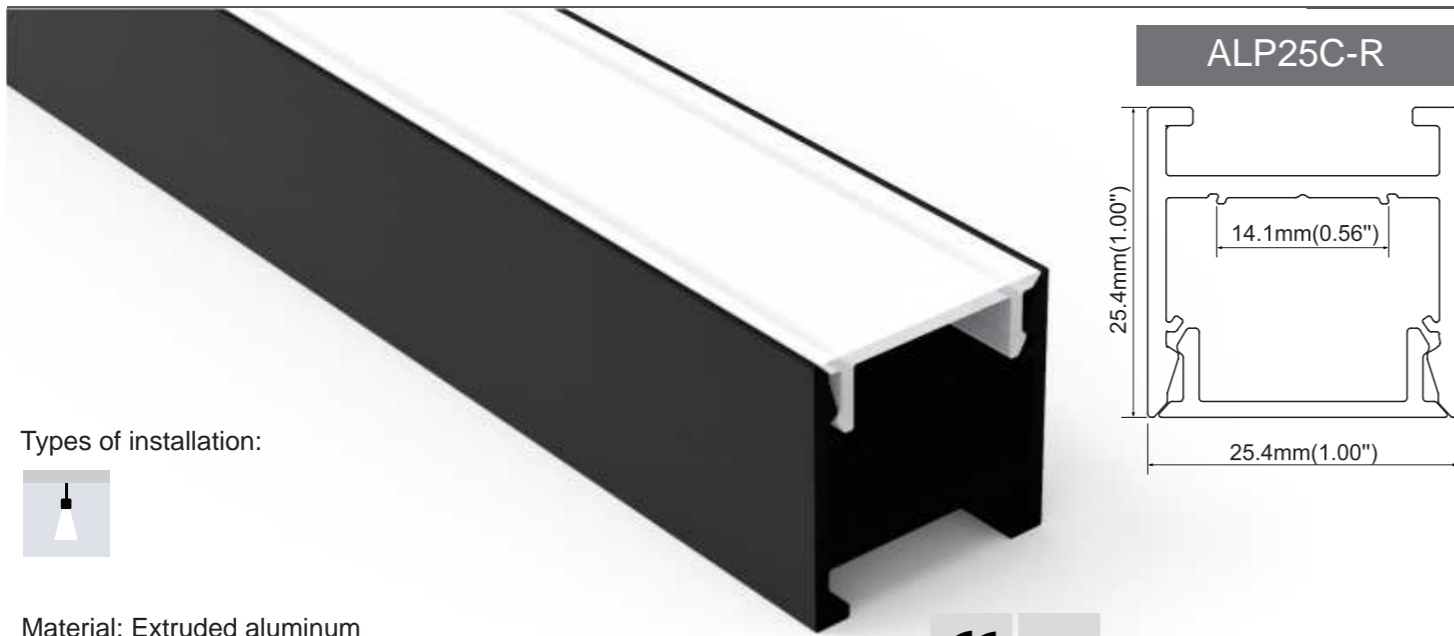


PC frosted cover

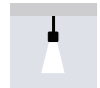
ACCESSORIES



Internal Clip



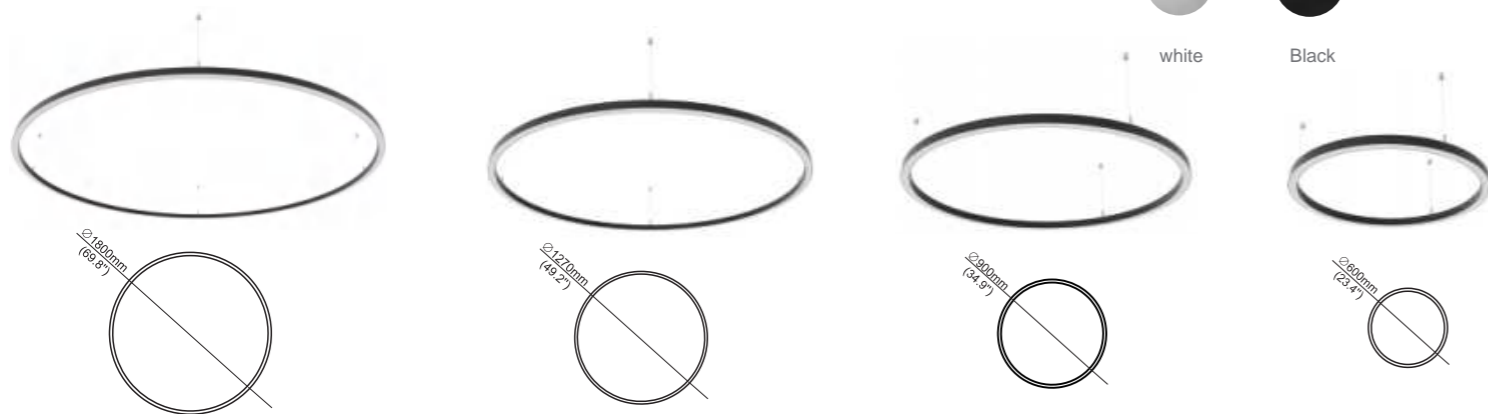
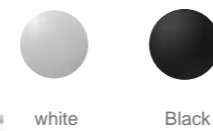
Types of installation:



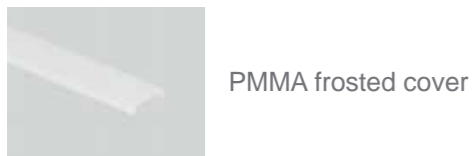
Material: Extruded aluminum
Dimension: 25.4x25.4mm



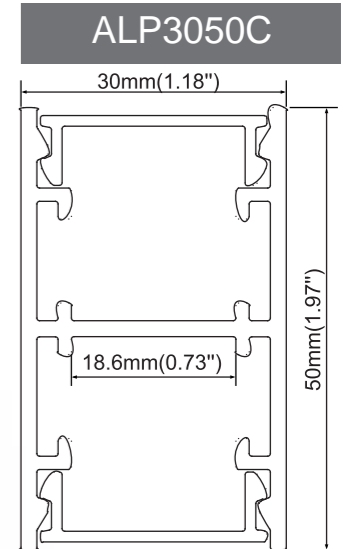
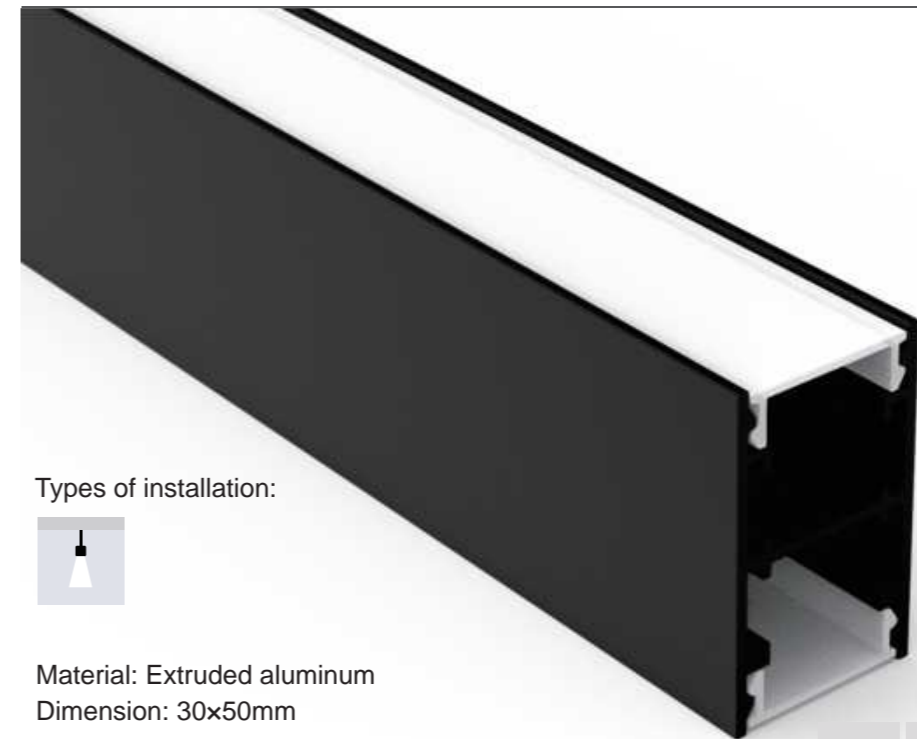
FINISH



DIFFUSERS



ACCESSORIES



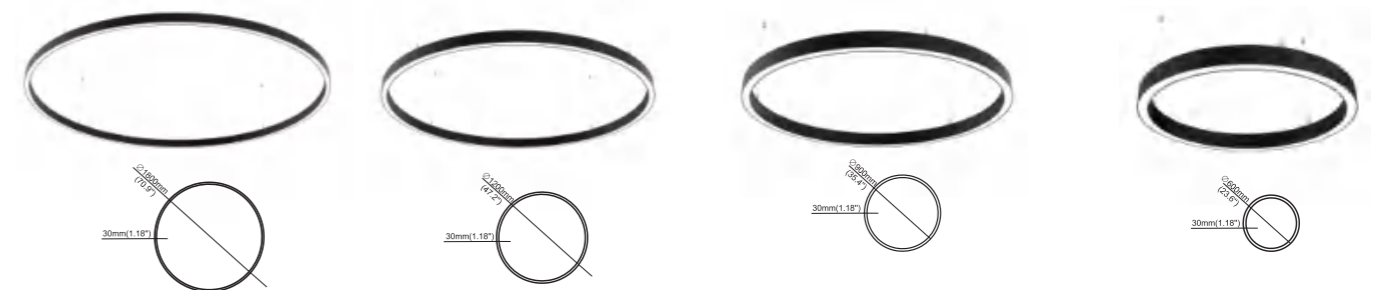
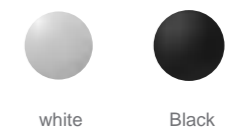
Types of installation:



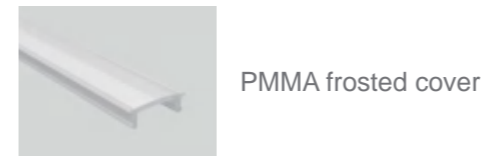
Material: Extruded aluminum
Dimension: 30x50mm



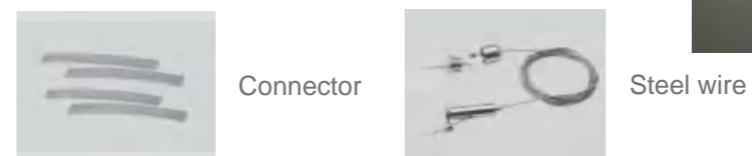
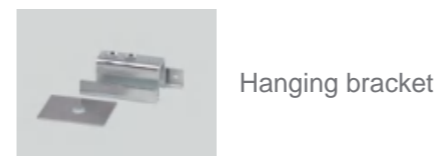
FINISH

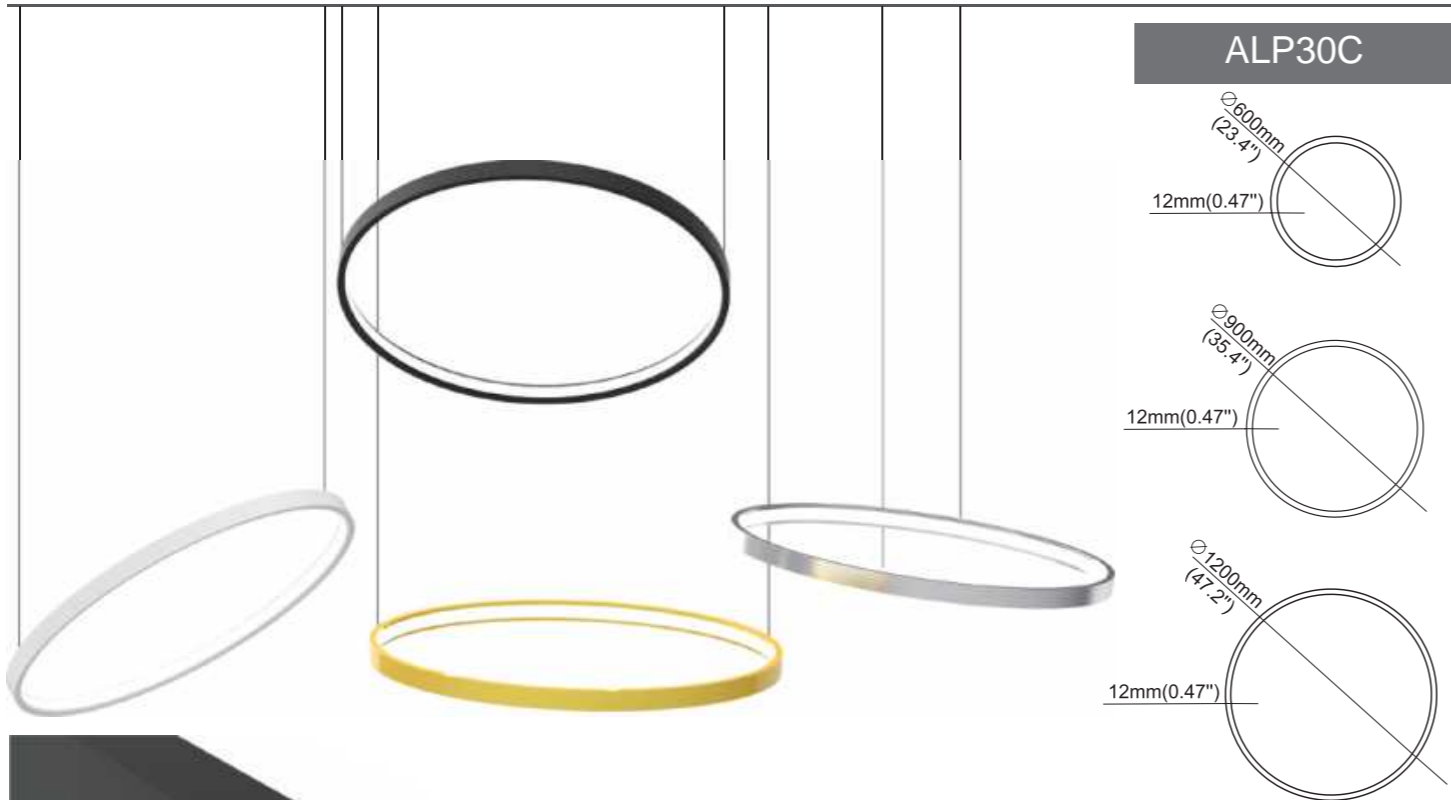


DIFFUSERS

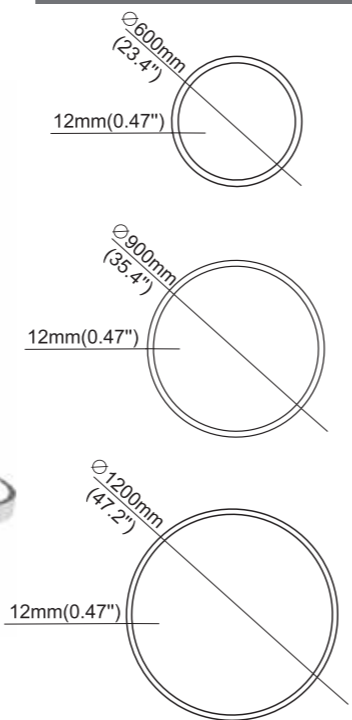


ACCESSORIES





ALP30C



Types of installation:

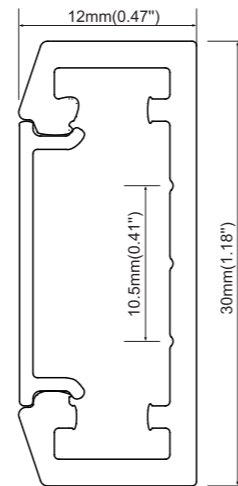


Material: Extruded aluminum
Dimension: 12x30mm

FINISH



Black



DIFFUSERS

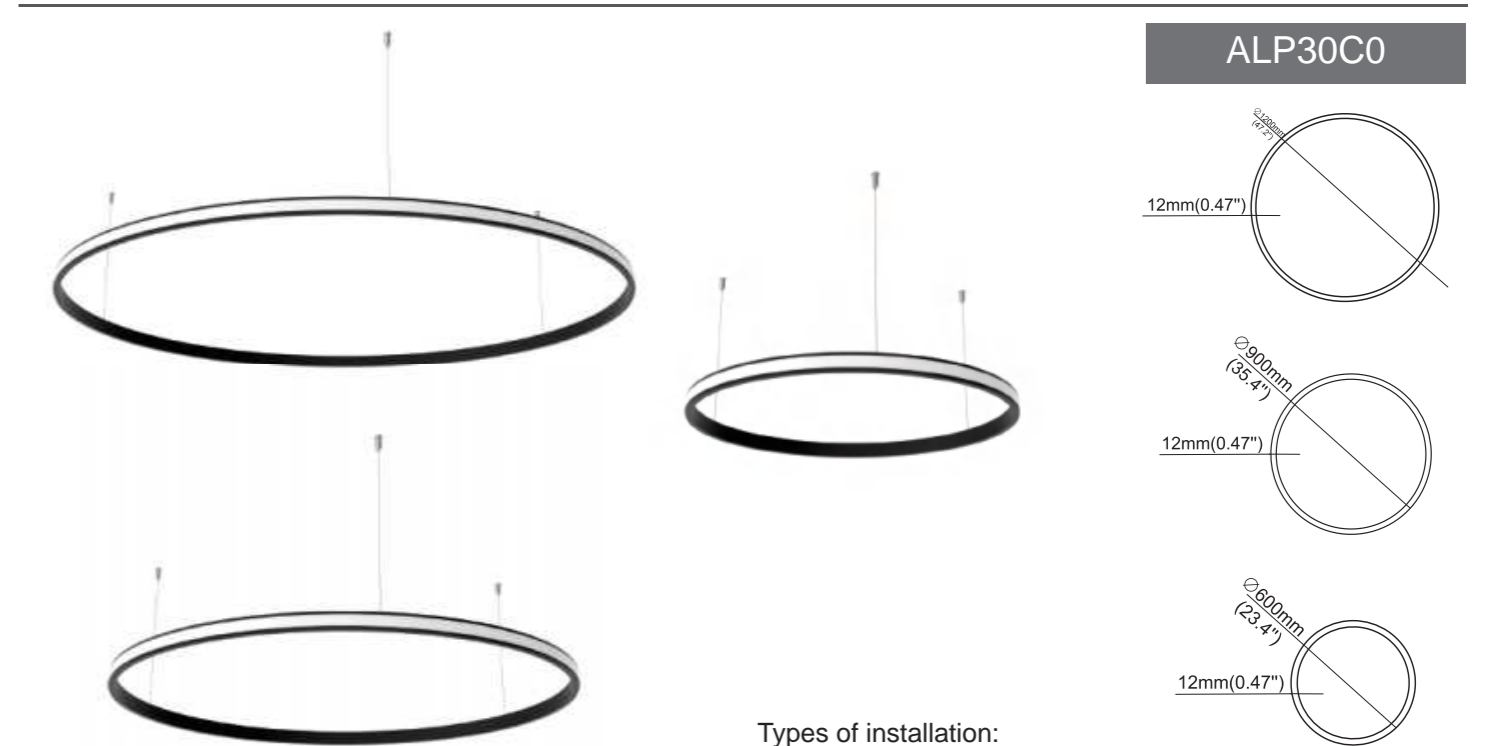


PC diffused cover

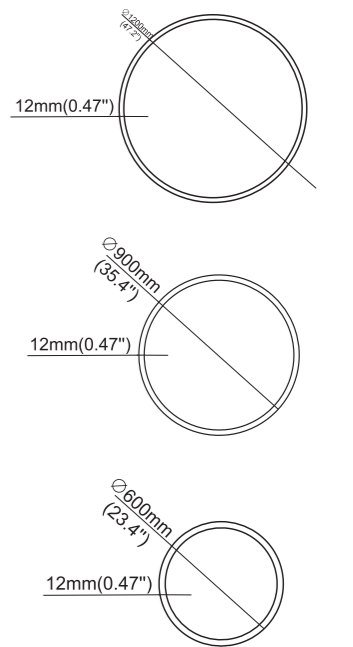
ACCESSORIES



Steel wire



ALP30C0



Types of installation:

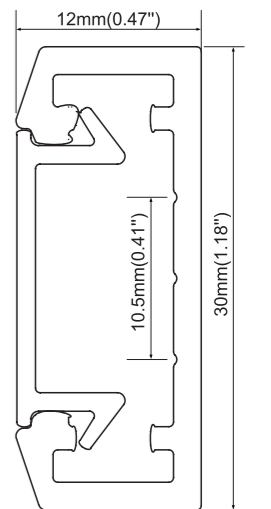


Material: Extruded aluminum
Dimension: 12x30mm

FINISH



Black



DIFFUSERS



PC diffused cover

ACCESSORIES



Steel wire

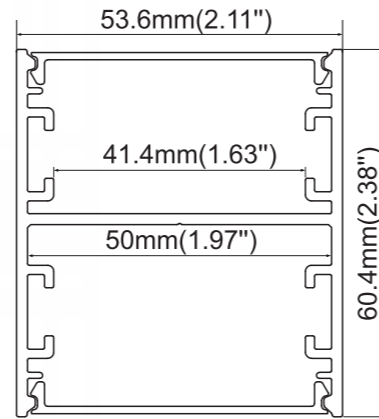
Types of installation:



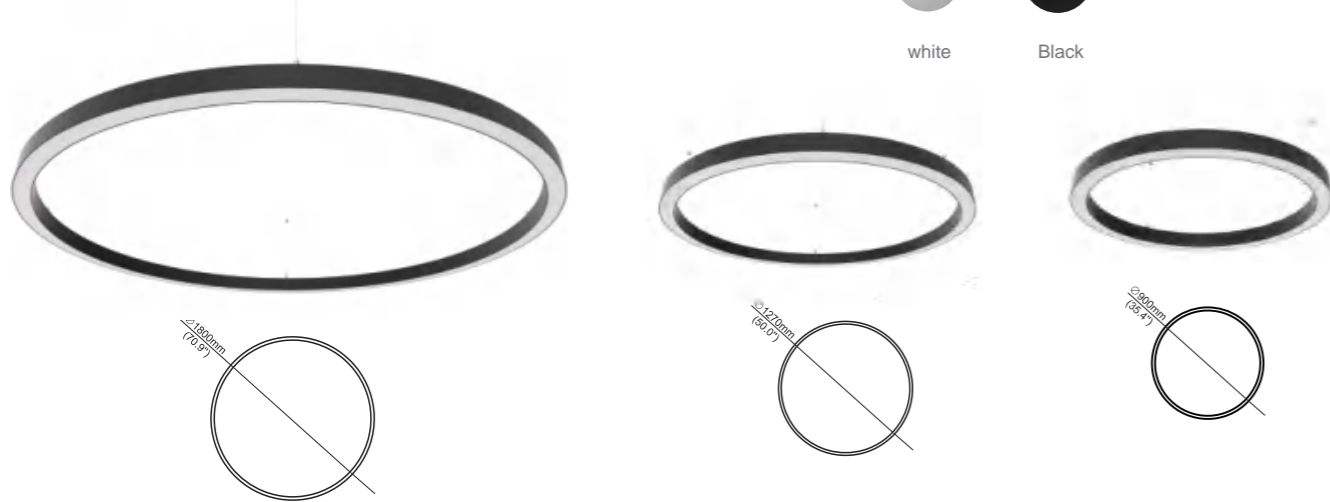
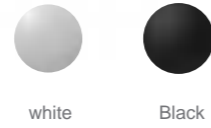
Material: Extruded aluminum
Dimension: 53.6x60.4mm
Length: MAX 6m



ALP50C



FINISH

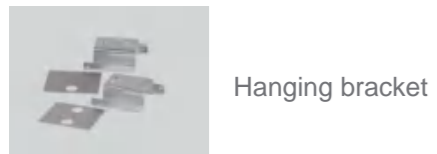


DIFFUSERS



PMMA frosted cover

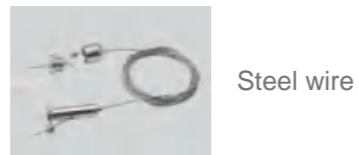
ACCESSORIES



Hanging bracket



Connector

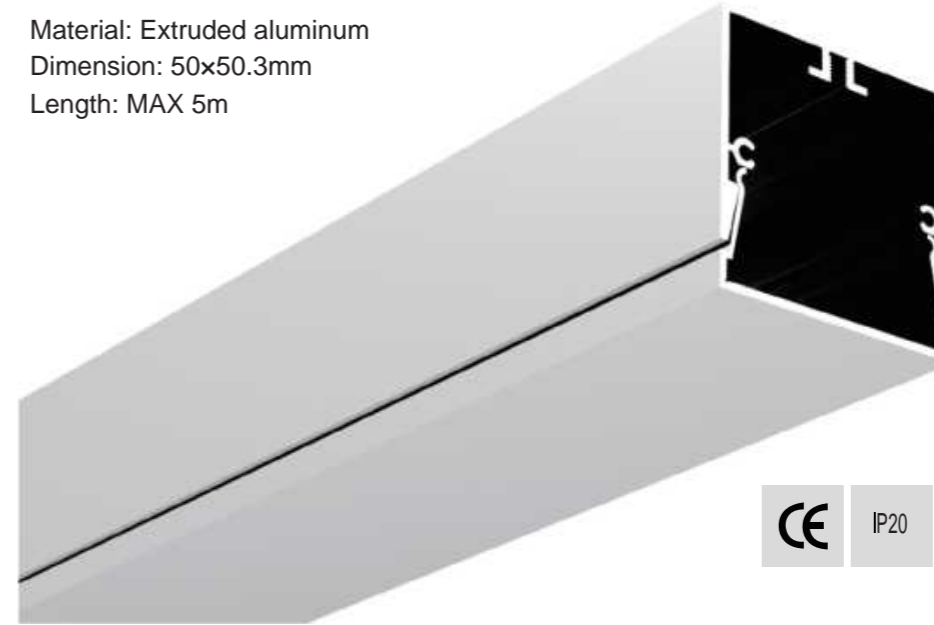


Steel wire

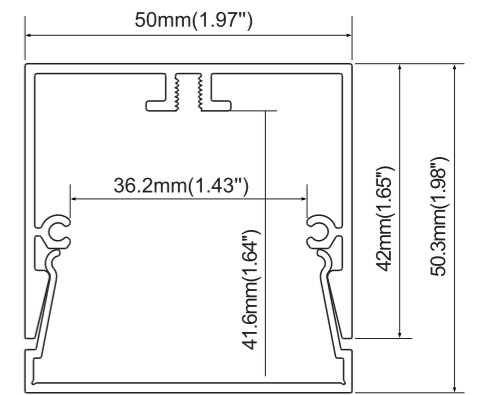
Types of installation:



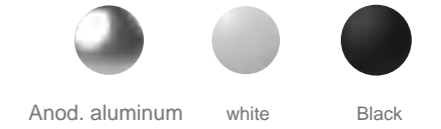
Material: Extruded aluminum
Dimension: 50x50.3mm
Length: MAX 5m



HD5050



FINISH



END CAPS



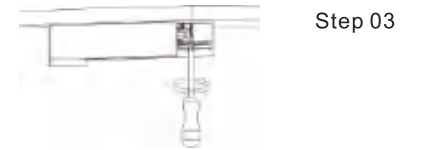
End Caps



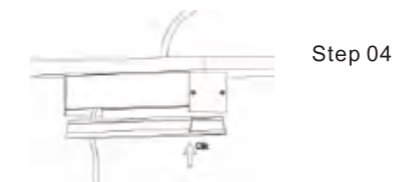
Step 01



Step 02



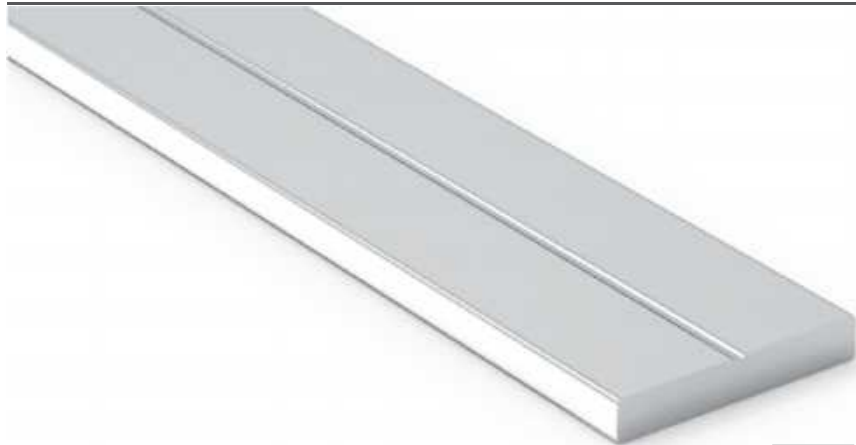
Step 03



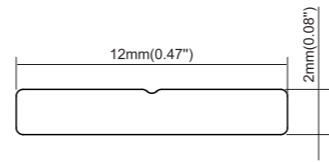
Step 04



Step 05



ALP1202



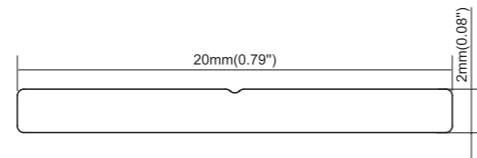
Aluminum board for heat dissipation
12x2mm
about 14W/M

FINISH



Anod. aluminum

ALP2002



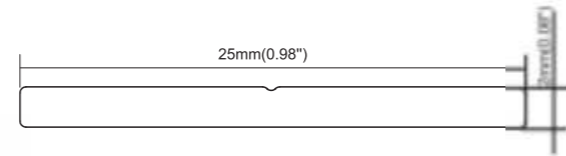
Aluminum board for heat dissipation
20x2mm
about 20W/M

FINISH



Anod. aluminum

ALP2502



Aluminum board for heat dissipation
25x2mm
about 30W/M

FINISH

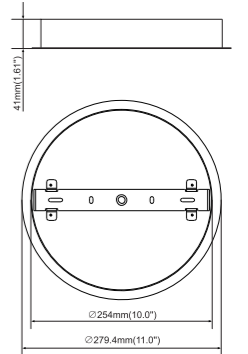


Anod. aluminum



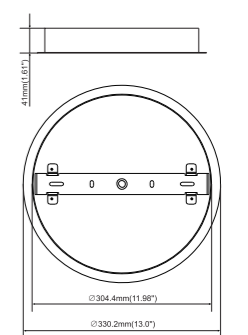
RDB01

Round driver box for circles



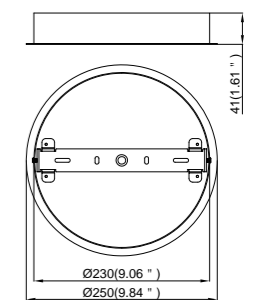
RDB02

Round driver box for circles

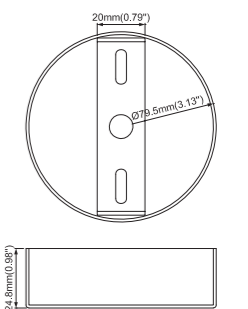


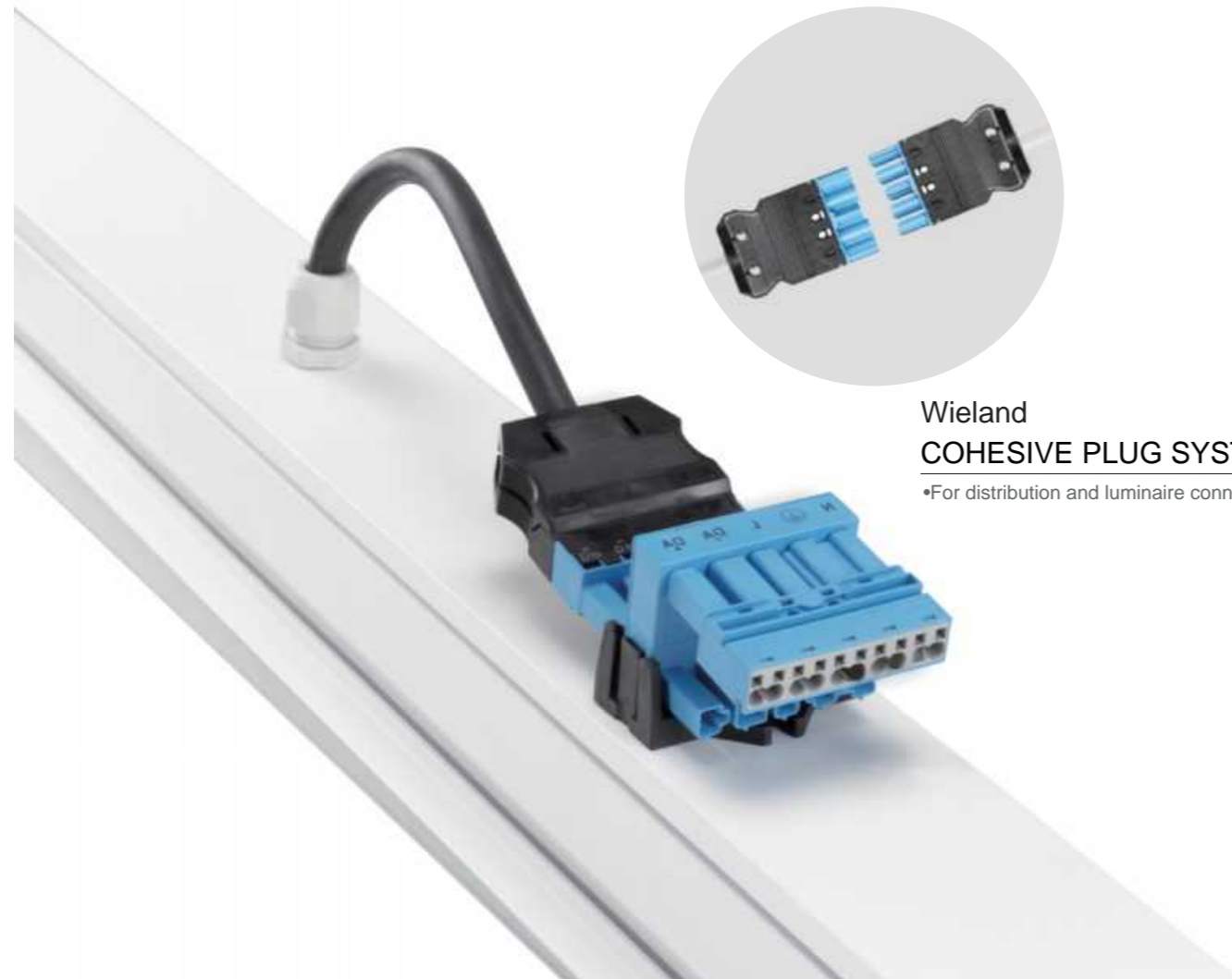
RDB03

Round driver box for circles



RDB04





**Wieland
COHESIVE PLUG SYSTEM**

•For distribution and luminaire connection

APPLICATIONS

The electrical connection of luminaires usually calls for the time-consuming method of opening the luminaire, dismantling and stripping the power supply and control cable, and, if applicable, inserting the illuminants on site. With pluggable pre-assembled luminaires, the effort required for on-site assembly can be reduced quite considerably.

SOLUTIONS

- Industrially pre-assembled components.
- Easy to plug together on site.
- For mains application (3-pole) and DALI application (5-pole).
- Flexibility to the point in time of luminaire assembly: conventional connection or pluggable





ADVANTAGES

- Fast, easy, and safe installation.
- Standardized interfaces for fast replacement.
- High functional reliability through prevention of mismatching.
- Simple adjustment of the installation to local conditions

Constant Current Driver-Osram

				
Voltage input	220-240VAC	220-240VAC	220-240VAC	220-240VAC
Voltage output	23-51VDC	23-51VDC	23-54VDC	23-54VDC
Current output	200mA/250mA/300mA/350mA	500mA/600mA/700mA/800mA	900mA/1050mA/1100mA/1200mA	1300mA/1400mA/1500mA/1600mA
Power Max	17.8W	40.8W	64.8W	75.2W
Efficacy	84%	85%	87%	87%
PF	0.98	0.98	0.98	0.98
Size	210x30x21	210x30x21	210x30x21	210x30x21

Constant Current Driver-Philips

				
Part Number	Xitanium 36W/0.3-1A,54V,230V	Xitanium 75W/0.7-2A, 54V 230V	Xitanium 36W 0.3-1A,54V TD 230V	Xitanium75W 0.7-2A,54V TD 230V
Size (mm)	360x30x21	360x30x21	360x30x21	360*30*21
Input Voltage(V)	202-254V	202-254V	202-254V	202-254V
Power Factor	≥0.9	≥0.9	≥0.9	≥0.9
Output Current(mA)	300-1000	700-2000	300-1000	700-2000
Output Voltage(V)	27-54V	27-54V	27-54V	27-54V
Output Power Range(W)	11-37	21-75	11-37	21-75
Maximum Power(W)	36	75	36	75

LED Module For ALP25C Series

	For ALP25C-600	For ALP25C -900	For ALP25C -1270	For ALP25C -1800
Connection type	1/4 circle joining together	1/8 circle joining together	1/8 circle joining together	1/8 circle joining together
Power(W)	7.2W	5.4W	7.2W	10.8W
Input Voltage(V)	36V	36V	36V	36V
Input Current(mA)	200mA	150mA	200mA	300mA
Light Output	1008lm	756lm	1008lm	1512lm
Color Temperature	2700k/3000k/4000k/5700k	2700k/3000k/4000k/5700k	2700k/3000k/4000k/5700k	2700k/3000k/4000k/5700k
CRI	80+/90+	80+/90+	80+/90+	80+/90+
LED Type	2835 SMD LED	2835 SMD LED	2835 SMD LED	2835 SMD LED
LED Brand	Osram	Osram	Osram	Osram




LED Module For ALP3050C Series

	For ALP3050C -600	For ALP3050C -900	For ALP3050C -1200	For ALP3050C -1800
Connection type	1/4 circle joining together	1/8 circle joining together	1/8 circle joining together	1/8 circle joining together
Power(W)	7.2W	5.4W	7.2W	10.8W
Input Voltage(V)	36V	36V	36V	36V
Input Current(mA)	200mA	150mA	200mA	300mA
Light Output	1008lm	756lm	1008lm	1512lm
Color Temperature	2700k/3000k/4000k/5700k	2700k/3000k/4000k/5700k	2700k/3000k/4000k/5700k	2700k/3000k/4000k/5700k
CRI	80+/90+	80+/90+	80+/90+	80+/90+
LED Type	2835 SMD LED	2835 SMD LED	2835 SMD LED	2835 SMD LED
LED Brand	Osram	Osram	Osram	Osram



LED Module For ALP50C Series

	For ALP50C -900	For ALP50C -1270	For ALP50C -1800
Connection type	1/8 circle joining together	1/8 circle joining together	1/8 circle joining together
Power(W)	5.4W	8.1W	10.8W
Input Voltage(V)	36V	36V	36V
Input Current(mA)	150mA	225mA	300mA
Light Output	756lm	1134lm	1512lm
Color Temperature	2700k/3000k/4000k/5700k	2700k/3000k/4000k/5700k	2700k/3000k/4000k/5700k
CRI	80+/90+	80+/90+	80+/90+
LED Type	2835 SMD LED	2835 SMD LED	2835 SMD LED
LED Brand	Osram	Osram	Osram

	LM2835R10012P30	LM2835R9952P30	LM2835R112024P50
Size(mm)	1000x12x5	995x24x6	1120x24x6
Power(W)	30W	30W	49W
Input Voltage(V)	30V	30V	21V
Input Current(mA)	1.0A	1.0A	1.2A
Light Output	4200lm	4200lm	8330lm
Color Temperature	2700k/3000k/4000k/5700k	2700k/3000k/4000k/5700k	2700k/3000k/4000k/5700k
CRI	80+/90+	80+/90+	80+/90+
LED Type	2835 SMD LED	2835 SMD LED	2835 SMD LED
LED Brand	Osram	Osram	Osram

	For LS30 series	For LS40 series	For LS50 series
	LM3030LS30P6 	LM3030LS40P9 	LM3030LS50P14W 
Size (mm)	132.5X20X6mm	190X30X6	285X31X6mm
Power(W)	6W	9W	14W
Input Voltage(V)	15V	15V	18V
Input Current(mA)	0.4A	0.6A	0.8A
Light Output	660lm	990lm	1260lm
Color Temperature	3000K/4000k	3000K/4000k	3000K/4000k
CRI	80+/90+	80+/90+	80+/90+
LED Type	3030 SMD LED	3030 SMD LED	3030 SMD LED
LED Brand	Osram	Osram	Osram

LED Module: For ALP4070/ALP4070-UP

		
Size (mm)	280X30X6	1140X30X6
Power(W)	7.2W	29W
Input Voltage(V)	42V	42V
Input Current(mA)	0.175A	0.7A
Light Output	1000lm	4060lm
Color Temperature	2700k/3000k/4000k/5700k	2700k/3000k/4000k/5700k
CRI	80+/90+	80+/90+
LED Type	2835 SMD LED	2835 SMD LED
LED Brand	Osram	Osram

LED Module: Rigid Board

	LM2835R56024P14 	LM2835R56051P21 	LM2835R56068P27 
Size	560*24*5mm	560*51.5*5mm	560*68.5*5mm
Power	14W	21W	27W
Light Output	1980lm	2950lm	3900lm
CRI	80+/90+	80+/90+	80+/90+
Color temperature	2700k/3000k/4000k/5700k	2700k/3000k/4000k/5700k	2700k/3000k/4000k/5700k
LED Brand	Osram	Osram	Osram

LED Module: Flexible PCB

	LM2835F500012P14 	LM2835F250024P28 	LM2835F250051P34 
Size	5000*12* 1.2mm	2500*24*1.2mm	2500*51.5*1.2mm
Power/meter	14W	28W	34W
Light Output/meter	1190lm	2380lm	2890lm
CRI	80+/90+	80+/90+	80+/90+
Color temperature	2700k/3000k/4000k/5700k	2700k/3000k/4000k/5700k	2700k/3000k/4000k/5700k
Voltage input	DC24V	DC24V	DC24V
Cutting unit	100mm	100mm	100mm
LED Brand	Osram	Osram	Osram

Constant Voltage Driver

				
Input Voltage(V)	220V-240V	220-240V	220-240V	220V-240V
Output Voltage(V)	24V	24V	24V	24V
Output Current(mA)	0-1.25A	0-2.5A	0-3.3A	0-8.3A
Power Max	30W	60W	80W	200W
Efficiency	88%	88%	88%	88%
Power Factor	≥0.95	≥0.95	≥0.95	≥0.95
Size (mm)	210x30x21	280x30x21	280x30x21	360x37x30



2024



LEDLUZ LIGHTING CO.,LTD

Add: Floor 3-5, Building 14, Jilong Industrial Park, No. 52,Xilian Road,
Longyan Village, Leliu, Shunde District, Foshan, Guangdong,
528322 China

Tel: 0757-25560988 86-0757-25668696(国内销售)

E-mail: sales@led-luz.com ledluz88@gmail.com

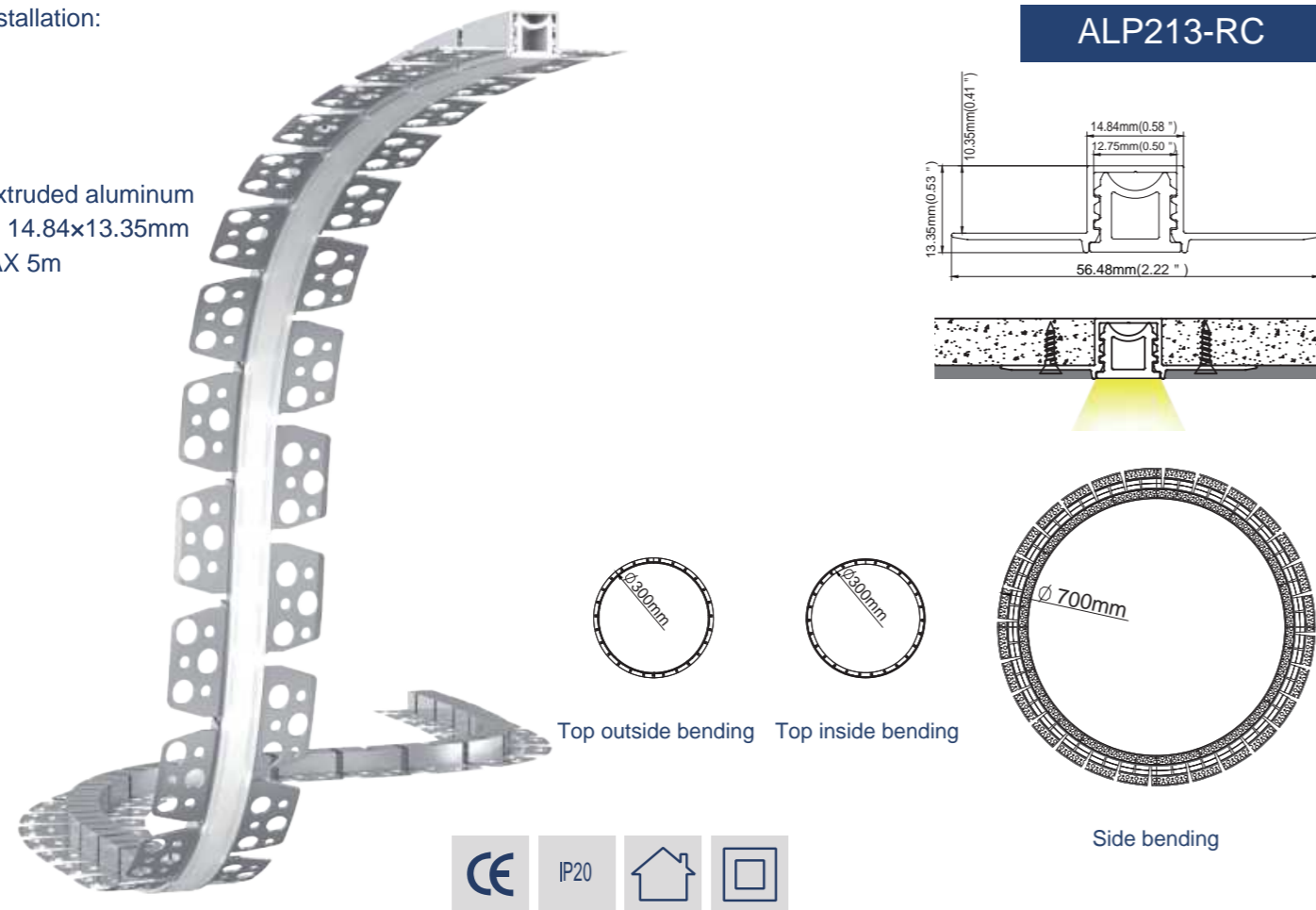
Website: www.led-luz.com www.ledluzprofile.com



Types of installation:



Material: Extruded aluminum
Dimension: 14.84x13.35mm
Length: MAX 5m



ACCESSORIES



End caps



Silicone diffusers



Side bending

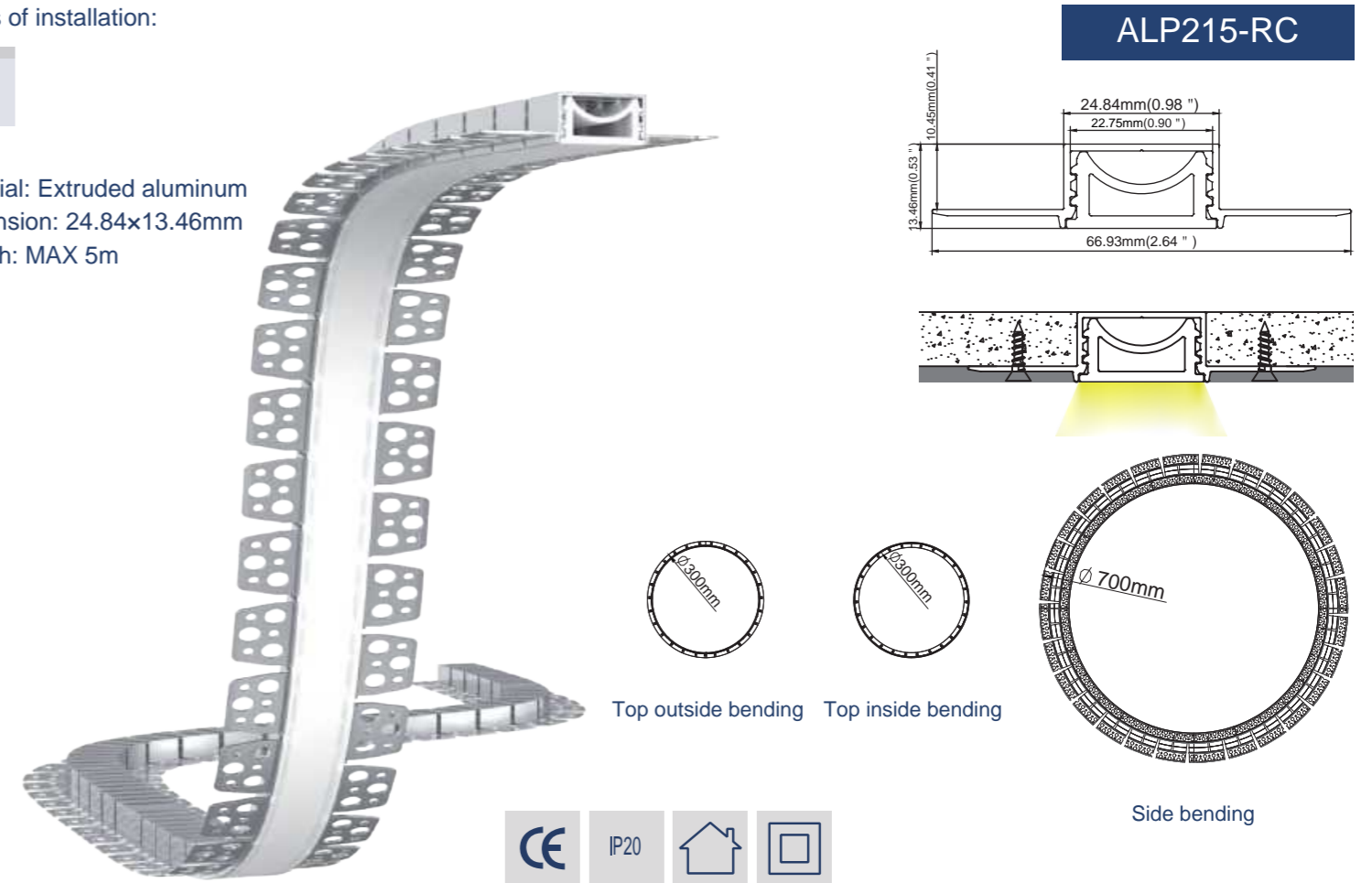


Top bending

Types of installation:



Material: Extruded aluminum
Dimension: 24.84x13.46mm
Length: MAX 5m



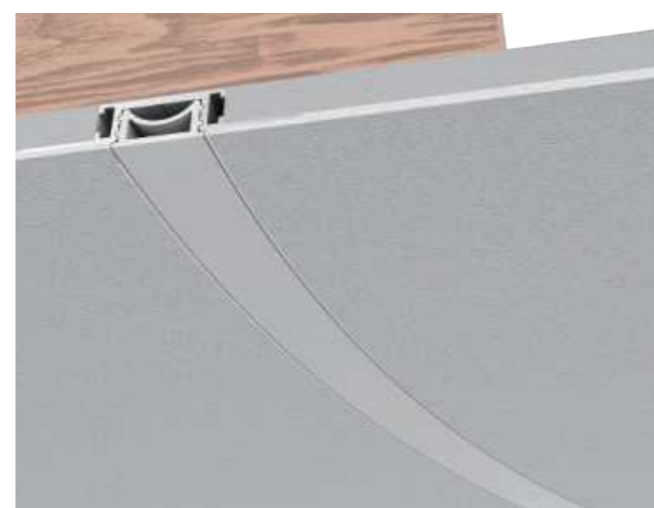
ACCESSORIES



End caps



Silicone diffusers



Side bending

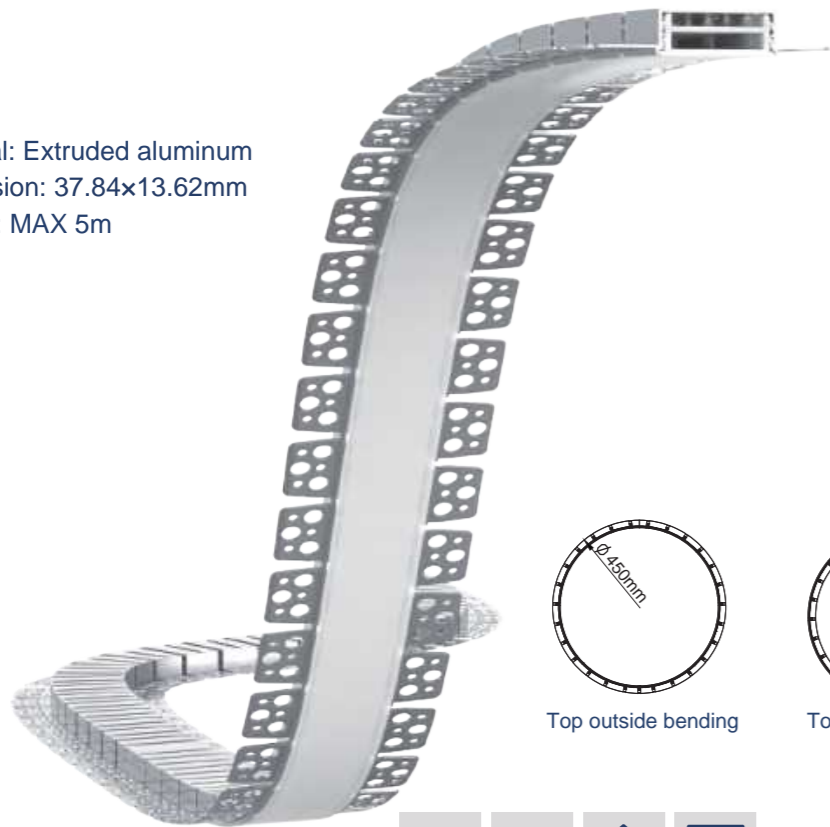


Top bending

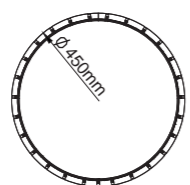
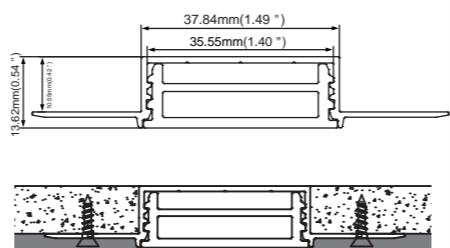
Types of installation:



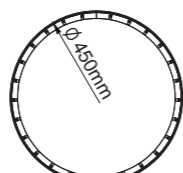
Material: Extruded aluminum
Dimension: 37.84x13.62mm
Length: MAX 5m



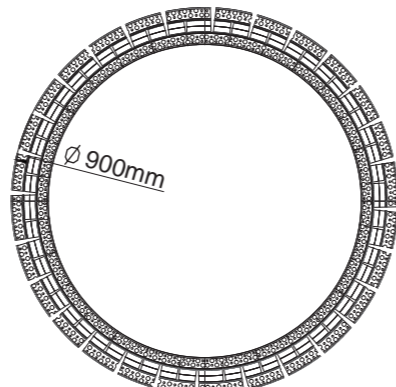
ALP217-RC



Top outside bending



Top inside bending



Side bending



ACCESSORIES



End caps



Silicone diffusers



Side bending



Top bending

ALP210

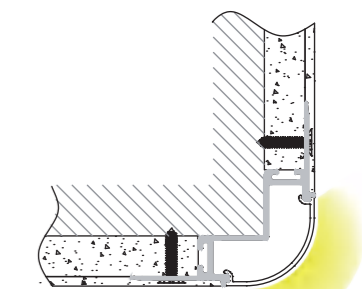
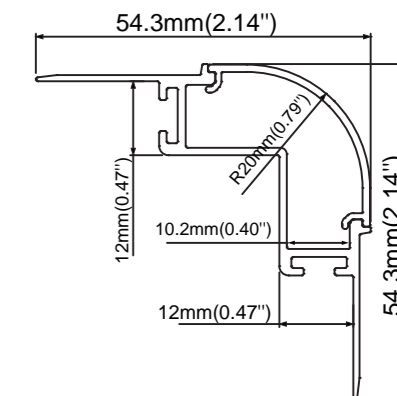


Types of installation:



Material: Extruded aluminum
Dimension: 54.3x54.3mm
Length: MAX 5m

The corners of the space are rounded and illuminated to show the soft feeling of the space.



END CAPS



End caps

DIFFUSERS



PC frosted cover

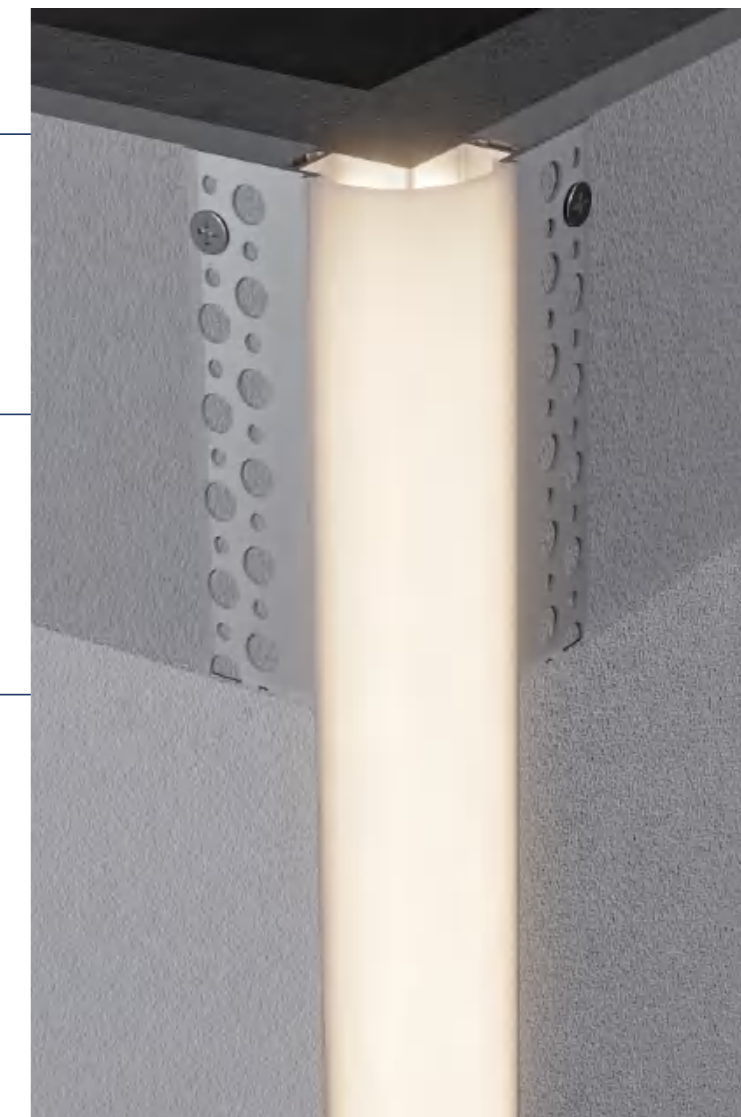
ACCESSORIES



90° Horizontal connector



180° Connector



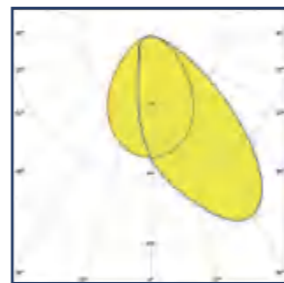
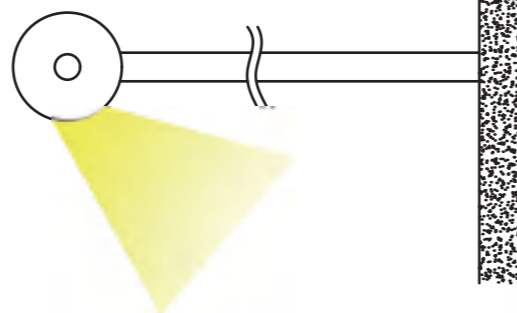
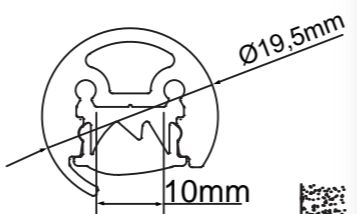
Types of installation:



Material: Extruded aluminum
Dimension: ϕ 19.5mm
Length: MAX 5m



ALP218



Asymmetric Lens



ACCESSORIES



Wall lamp rod
(Lengths: 262mm)



Asymmetric Lens



30° Rotational

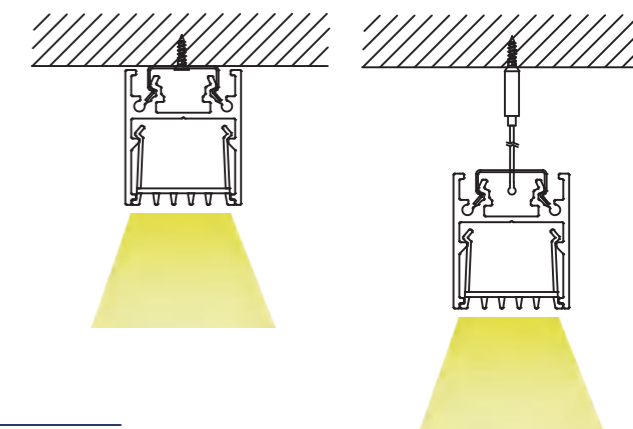
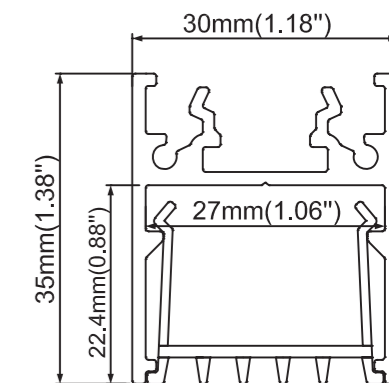
Types of installation:



Material: Extruded aluminum
Dimension: 30x35mm
Length: MAX 5m



ALP220



END CAPS



End caps

DIFFUSERS



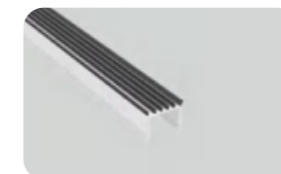
PC frosted cover



Prismatic



Low Glare Control
extrusion(white)



Low Glare Control
extrusion(black)

ACCESSORIES



Mounting clip
(metal)



Steel wire



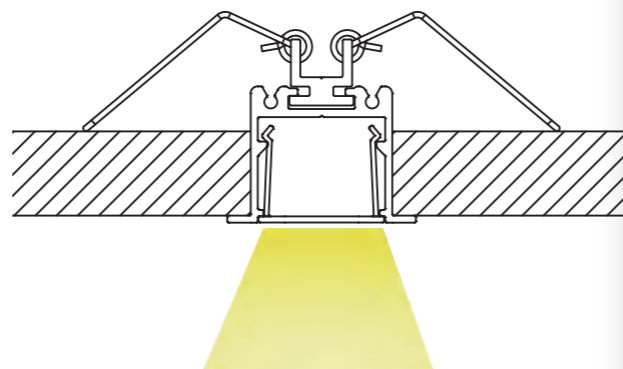
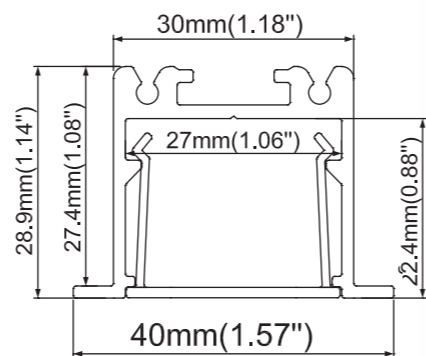
Types of installation:



Material: Extruded aluminum
Dimension: 40x28.9mm
Length: MAX 5m



ALP221



END CAPS



End caps

DIFFUSERS



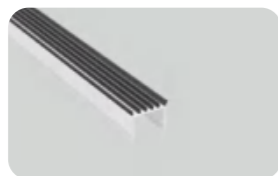
PC frosted cover



Prismatic



Low Glare Control extrusion(white)

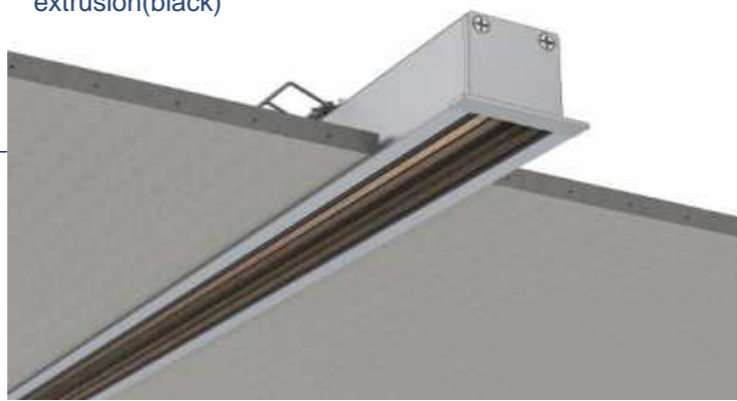


Low Glare Control extrusion(black)

ACCESSORIES



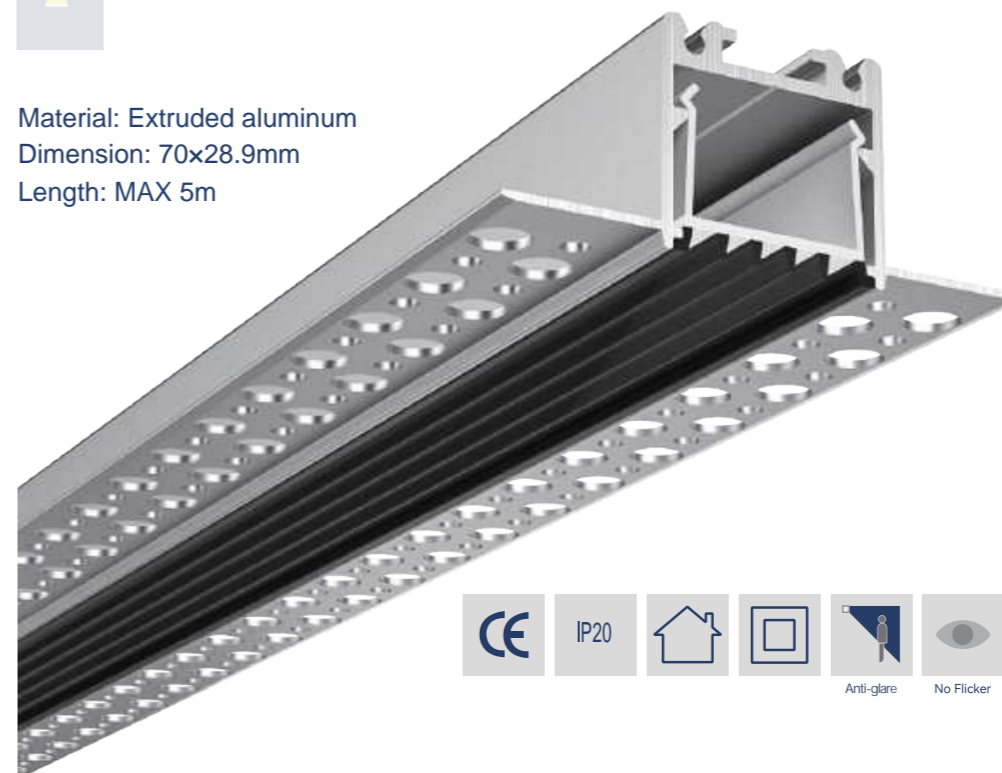
Spring clip



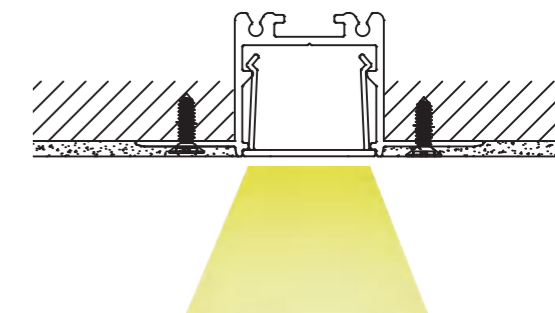
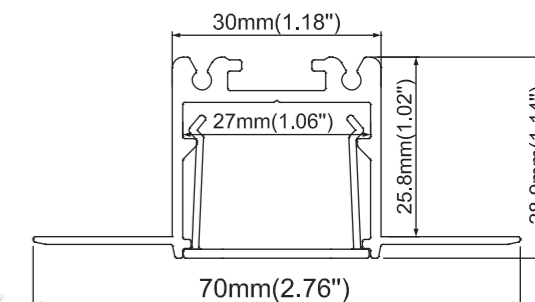
Types of installation:



Material: Extruded aluminum
Dimension: 70x28.9mm
Length: MAX 5m



ALP222



END CAPS



End caps

DIFFUSERS



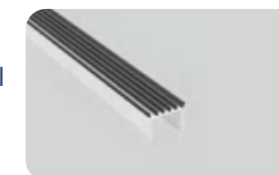
PC frosted cover



Prismatic



Low Glare Control extrusion(white)



Low Glare Control extrusion(black)

ACCESSORIES



Spring clip

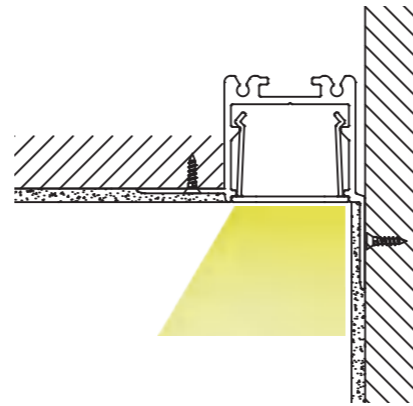
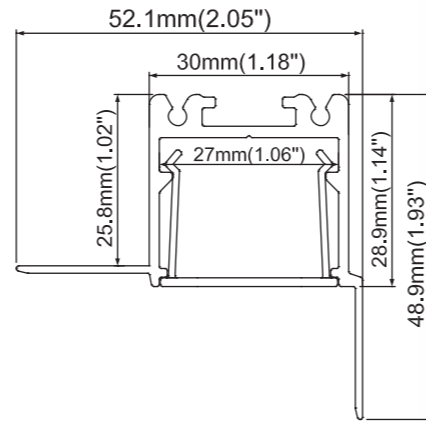
Types of installation:



Material: Extruded aluminum
Dimension: 52.1x48.9mm
Length: MAX 5m



ALP223



END CAPS

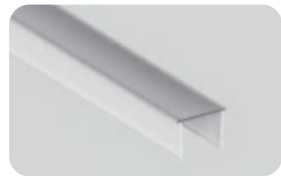


End caps

DIFFUSERS



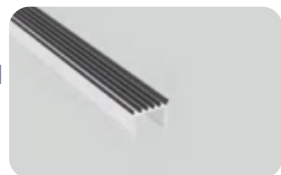
PC frosted cover



Prismatic



Low Glare Control extrusion(white)



Low Glare Control extrusion(black)

ACCESSORIES



90° Horizontal connector



180° Connector



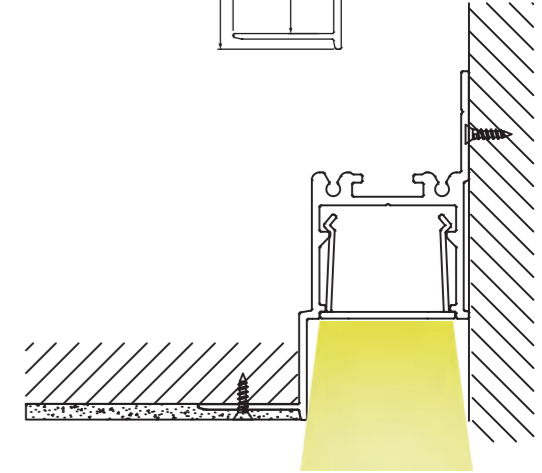
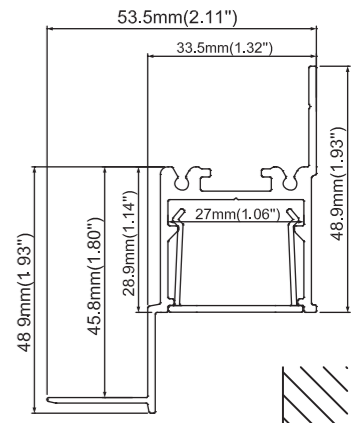
Types of installation:



Material: Extruded aluminum
Dimension: 53.5x48.9mm
Length: MAX 5m



ALP224



END CAPS

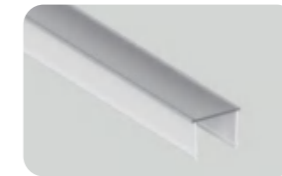


End caps

DIFFUSERS



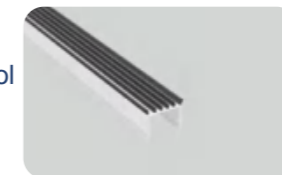
PC frosted cover



Prismatic



Low Glare Control extrusion(white)



Low Glare Control extrusion(black)

ACCESSORIES



90° Horizontal connector



180° Connector



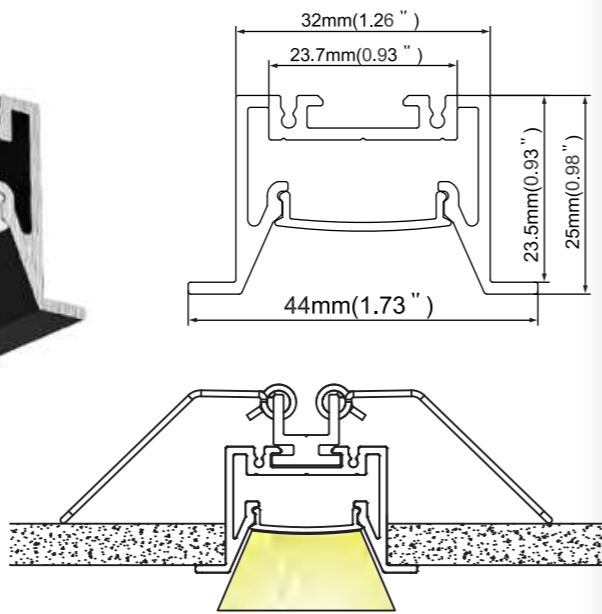
Types of installation:



Material: Extruded aluminum
Dimension: 44x25mm
Length: MAX 5m



ALP225



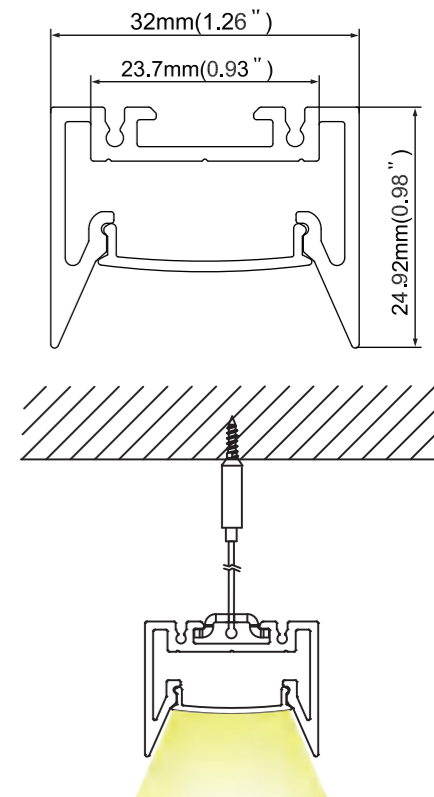
Types of installation:



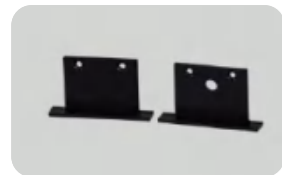
Material: Extruded aluminum
Dimension: 32x24.92mm
Length: MAX 5m



ALP226



END CAPS



End caps

DIFFUSERS



PMMA opal matte cover
PMMA semi-clear cover
PMMA clear cover
PC diffused cover



Black PC frosted cover

ACCESSORIES



Spring clip

END CAPS



End caps (ABS)

DIFFUSERS



PMMA opal matte cover
PMMA semi-clear cover
PMMA clear cover
PC diffused cover

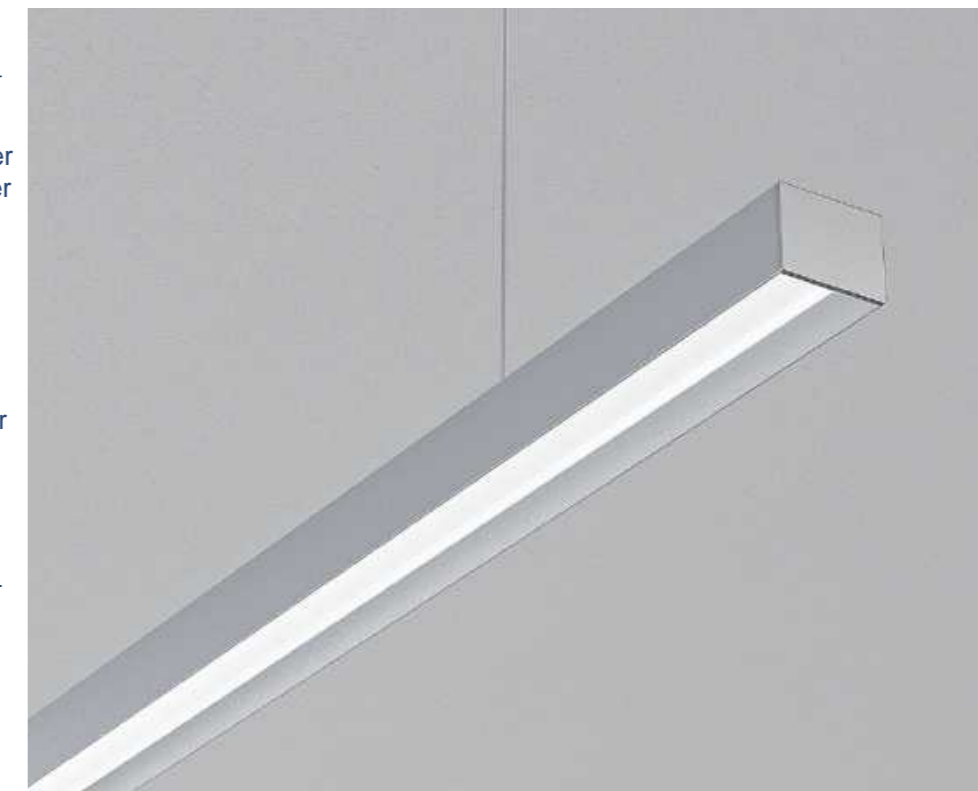


Black PC frosted cover

ACCESSORIES



Steel wire



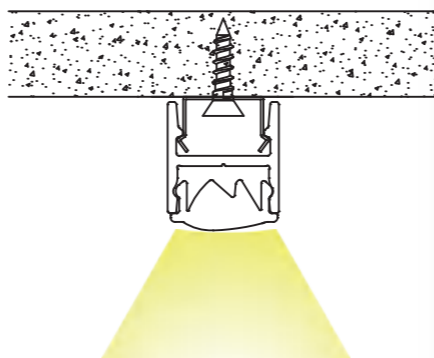
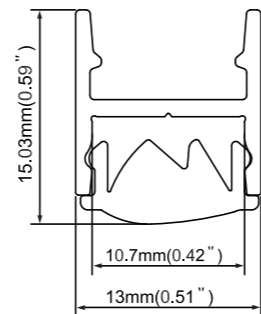
Types of installation:



Material: Extruded aluminum
Dimension: 13x15.03mm
Length: MAX 5m



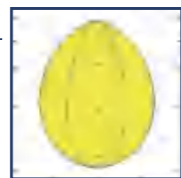
ALP227



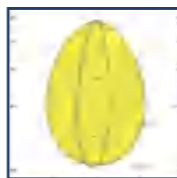
END CAPS



End caps



Lens 55°



Lens 30°



Asymmetric Lens

DIFFUSERS



Asymmetric Lens



Lens 30°



Lens 55°

ACCESSORIES



Mounting clip (metal)

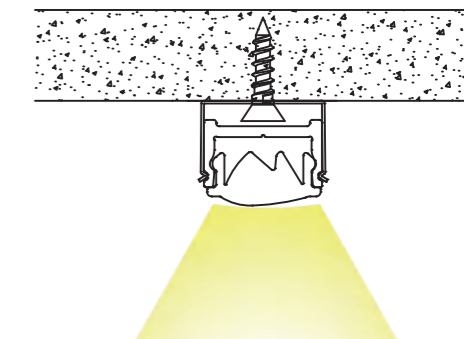
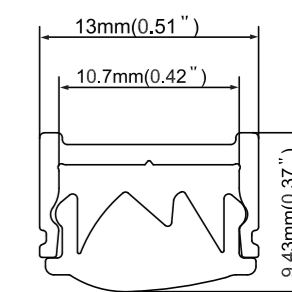
Types of installation:



Material: Extruded aluminum
Dimension: 13x9.43mm
Length: MAX 5m



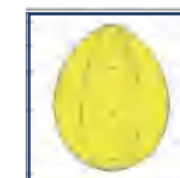
ALP228



END CAPS



End caps



Lens 55°



Lens 30°



Asymmetric Lens

DIFFUSERS



Asymmetric Lens



Lens 30°

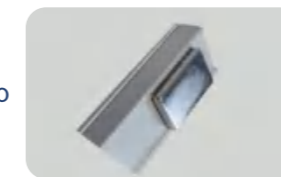


Lens 55°

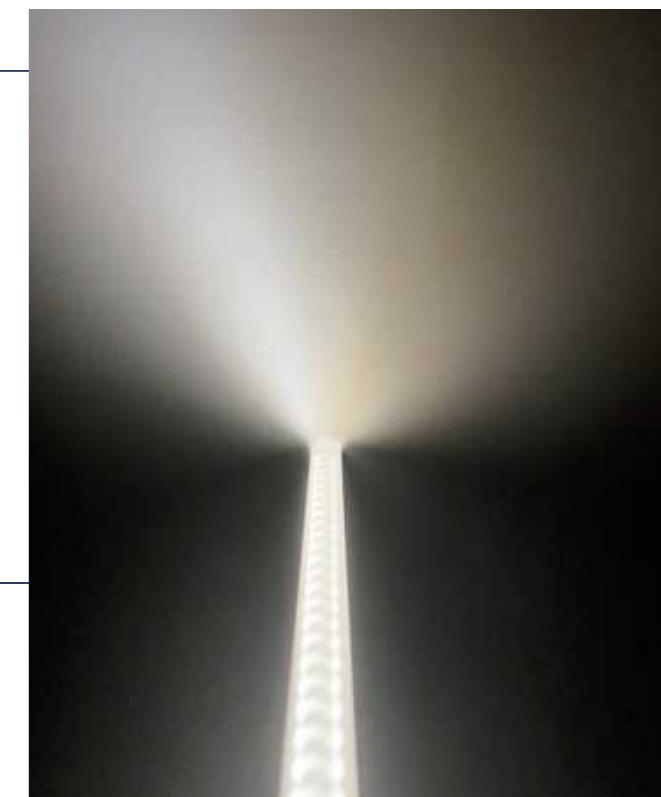
ACCESSORIES



Mounting clip (metal)



Magnet



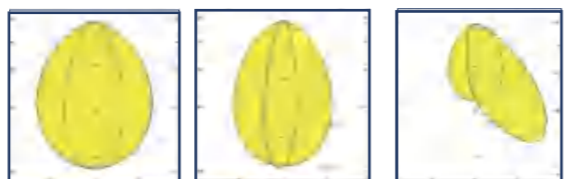
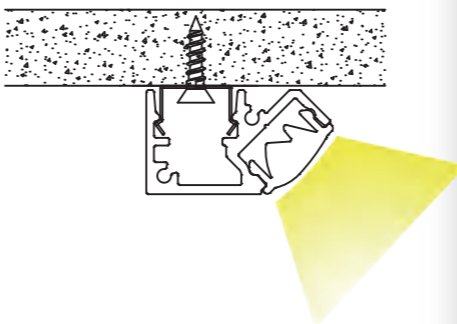
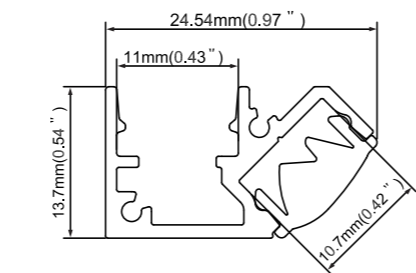
Types of installation:



Material: Extruded aluminum
Dimension: 24.54x13.7mm
Length: MAX 5m



ALP229



Lens 55° Lens 30° Asymmetric Lens

END CAPS



End caps

DIFFUSERS



Asymmetric Lens



Lens 30°



Lens 55°

ACCESSORIES



Mounting clip
(metal)

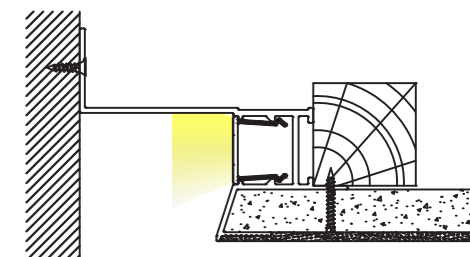
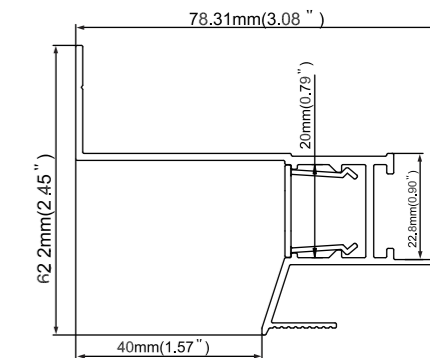
Types of installation:



Material: Extruded aluminum
Dimension: 78.31x62.2mm
Length: MAX 5m



ALP230-4



END CAPS



End caps

DIFFUSERS



PC diffused cover

ACCESSORIES



90° Vertical connector



180° Connector



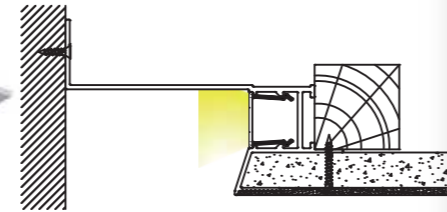
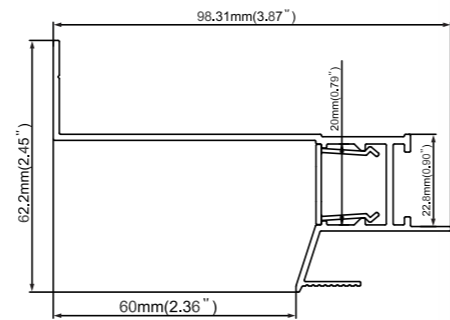
Types of installation:



Material: Extruded aluminum
Dimension: 98.31x62.2mm
Length: MAX 5m



ALP230-6



END CAPS



End caps

DIFFUSERS



PC diffused cover

ACCESSORIES



90° Vertical connector



180° Connector

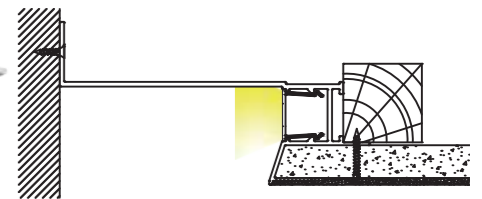
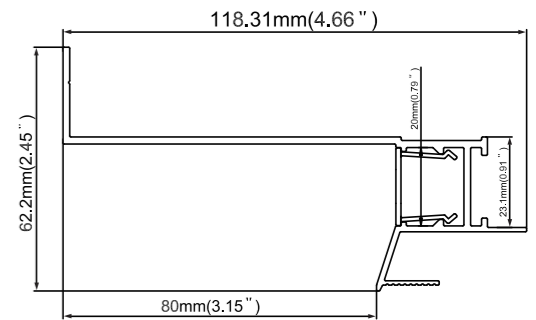
Types of installation:



Material: Extruded aluminum
Dimension: 118.3x62.2mm
Length: MAX 5m



ALP230-8



END CAPS



End caps

DIFFUSERS



PC diffused cover

ACCESSORIES



90° Vertical connector



180° Connector



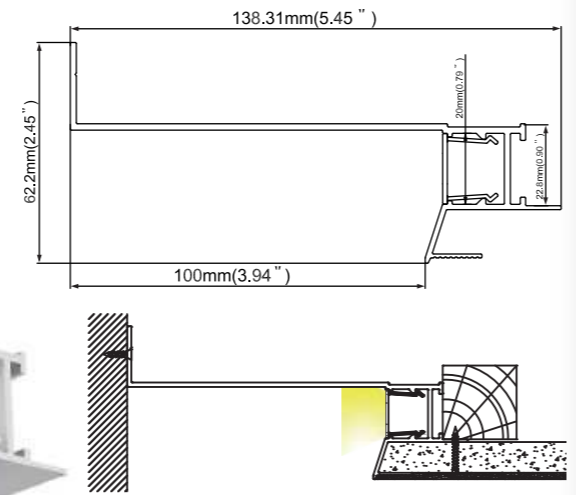
Types of installation:



Material: Extruded aluminum
Dimension: 138.1x62.2mm
Length: MAX 5m



ALP230-10



END CAPS



End caps

DIFFUSERS



PC diffused cover



90° Vertical connector



180° Connector

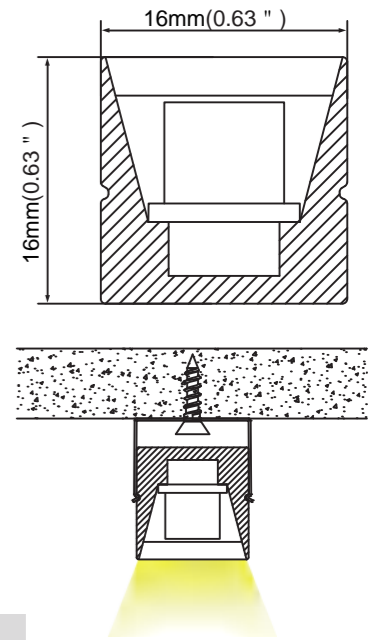
Types of installation:



Material: Silicon Co-extrusion
Dimension: 16x16mm
Length: MAX 5m



S1616-Lens



Input voltage:DC 24V
Beam angle:30°
Power:16W/M
LED QTY:48 pcs/M
Color temperature:2700K/3000K/4000K



ACCESSORIES



Aluminum mounting profile



Mounting clip (aluminum)

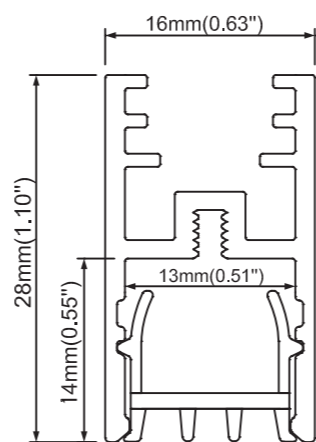
Types of installation:



Material: Extruded aluminum
Dimension: 16x28mm
Length: MAX 5m



ALP1628



END CAPS



End caps

DIFFUSERS



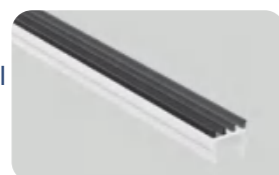
PC frosted cover



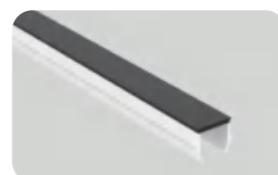
Prismatic



Low Glare Control extrusion(white)



Low Glare Control extrusion(black)



Blind cover

ACCESSORIES



Connector



Wall mounting bracket



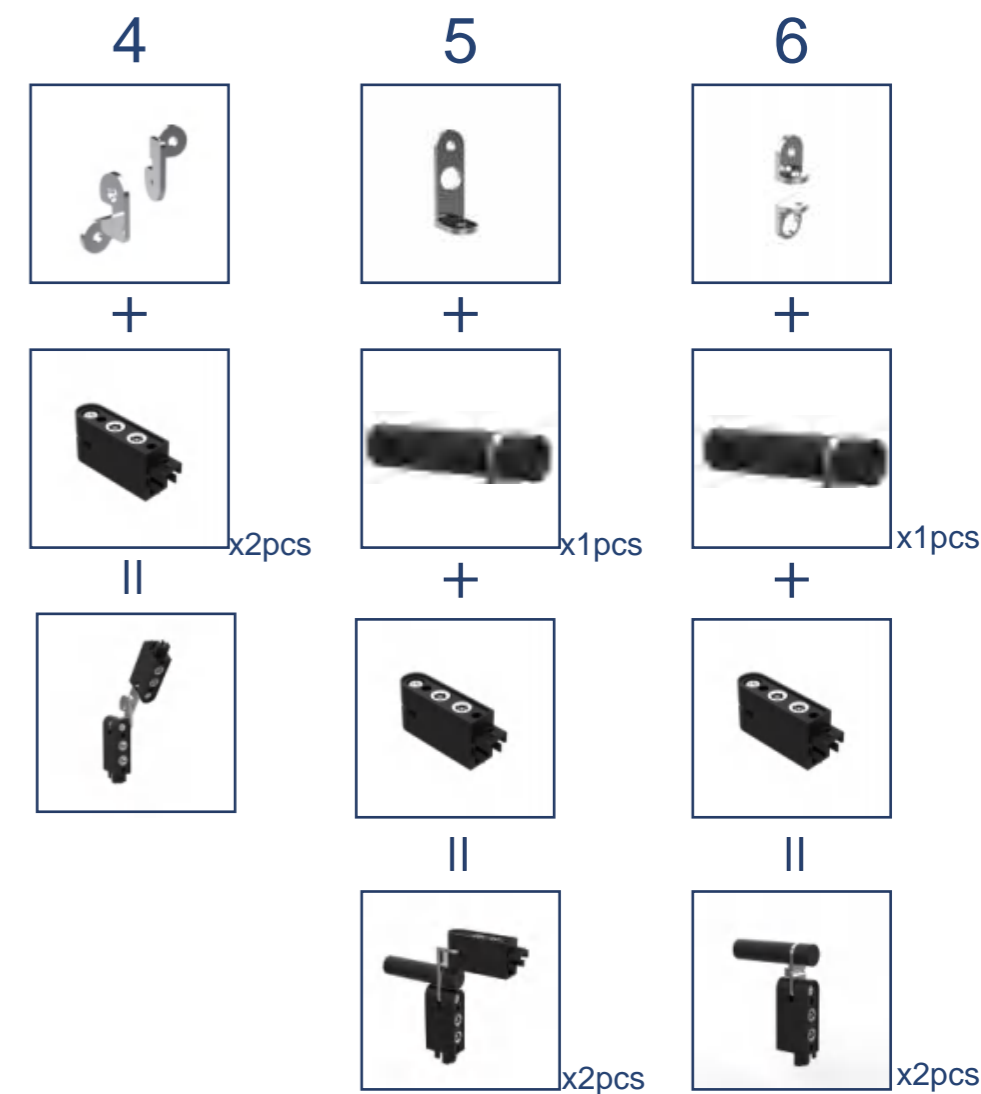
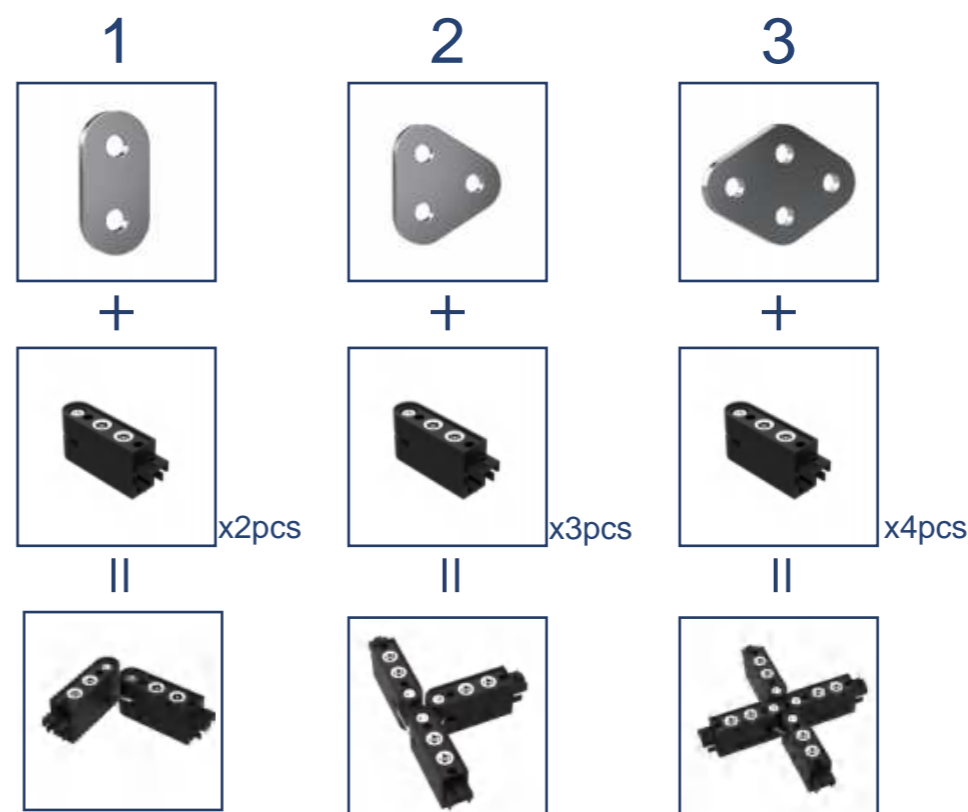
Steel wire



Black Reflector 30° or 45°



Black cover



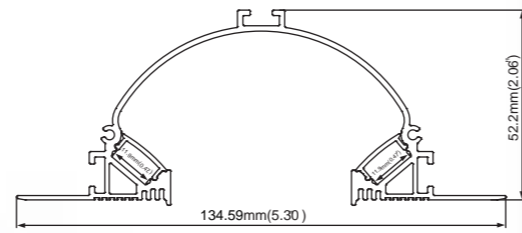
Types of installation:



Material: Extruded aluminum
Dimension: 134.59x52.2mm
Length: MAX 5m



ALP059-TR



END CAPS



End caps

DIFFUSERS



PC diffused cover

ACCESSORIES



90° Horizontal connector



90° Vertical connector

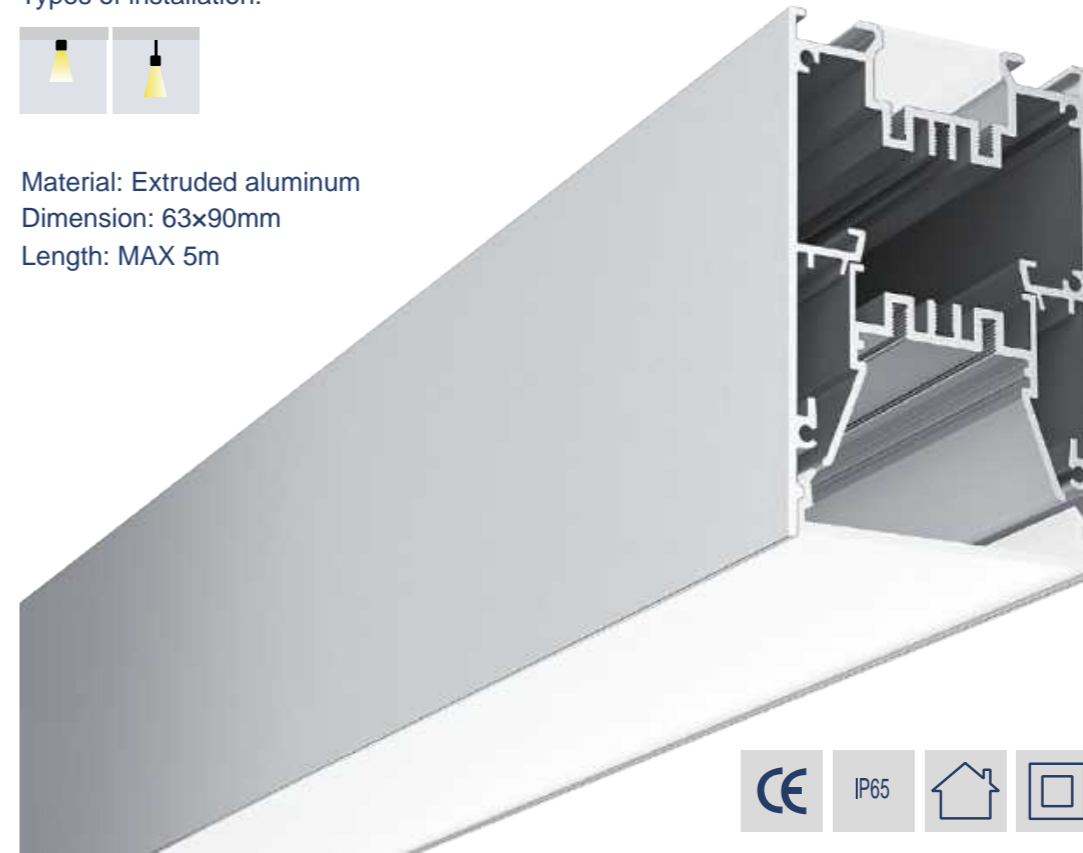


180° Connector

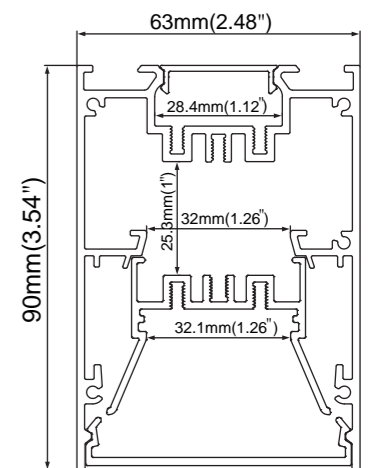
Types of installation:



Material: Extruded aluminum
Dimension: 63x90mm
Length: MAX 5m



ALP6390



END CAPS



End caps

DIFFUSERS



PC frosted cover
(for downlight)



PC frosted cover
(for uplight)

ACCESSORIES



Mounting clip
(metal)



Internal Clip



Steel wire



Safety wire

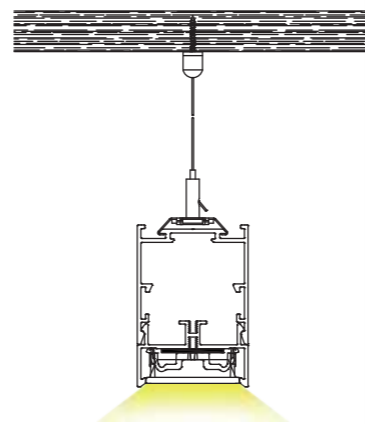
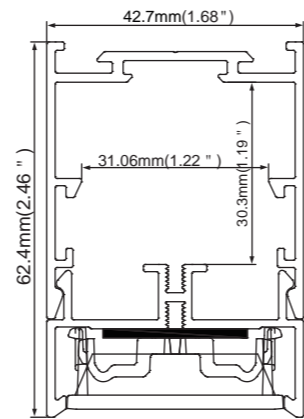
Types of installation:



Material: Extruded aluminum
Dimension: 42.7x62.4mm
Length: MAX 5m



ALP4363



END CAPS



End caps

ACCESSORIES



Lens (UGR<19)



Safety wire



Mounting clip (metal)



Clips for lens



Steel wire

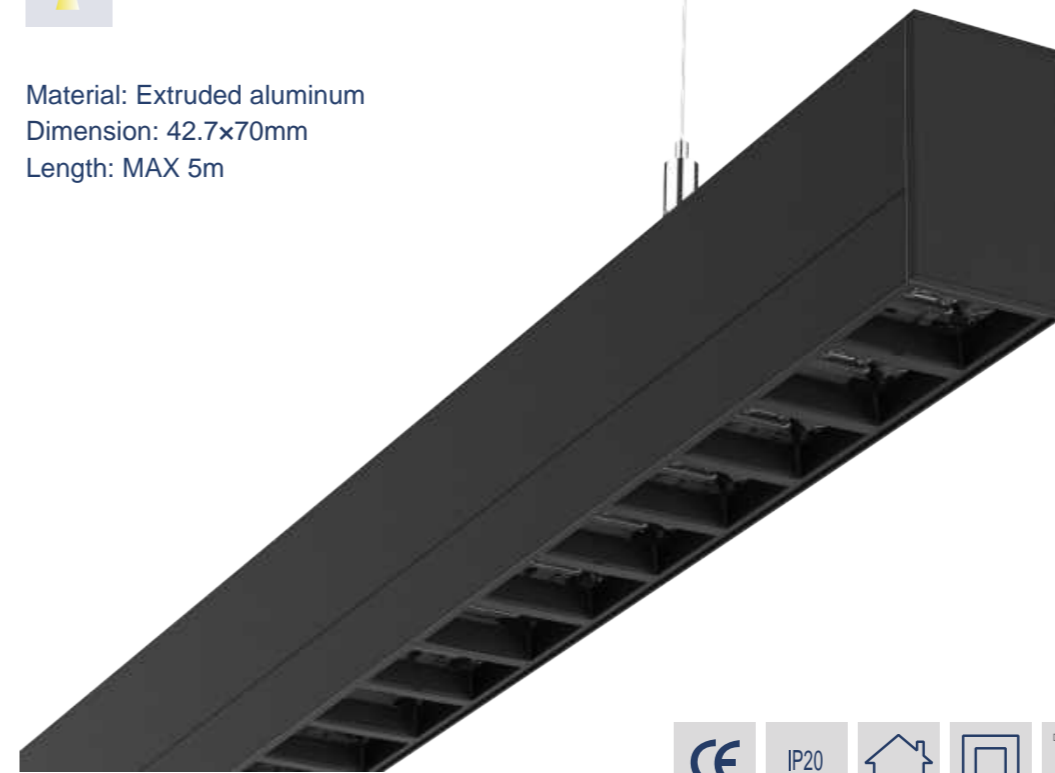


LED module

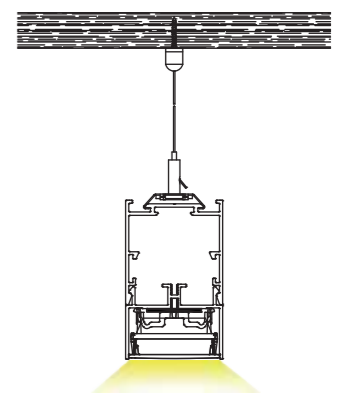
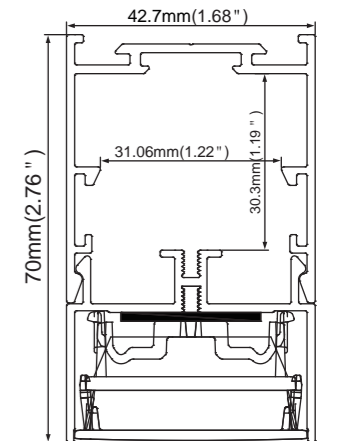
Types of installation:



Material: Extruded aluminum
Dimension: 42.7x70mm
Length: MAX 5m



ALP4370



END CAPS



End caps

ACCESSORIES



Lens (UGR<19)



Louver



Mounting clip (metal)



Clips for lens



Steel wire



Safety wire



LED module

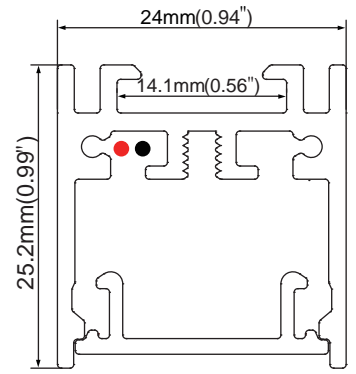
Types of installation:



Material: Extruded aluminum
Dimension: 24x25.2mm
Length: MAX 5m



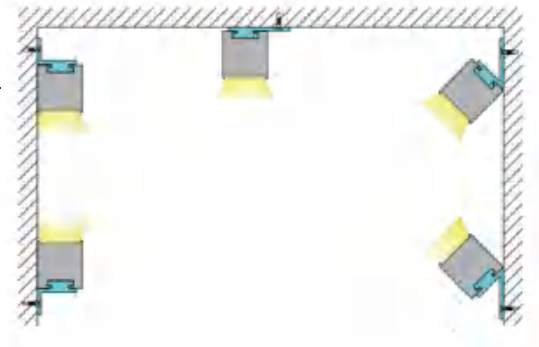
MAG2425-R



END CAPS



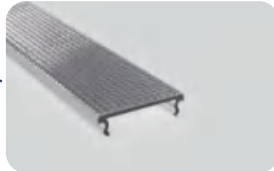
End caps



DIFFUSERS



PC frosted cover



PC prismatic cover



Lens 15°/Symmetrical
Wall washer

ACCESSORIES



Black Reflector 30° or 55°
LEDiL



Surface clip



White Reflector 30° or 55°



T-bar clip



Chrome Reflector 30° or 55°



Steel wire



Adjustable
bracket